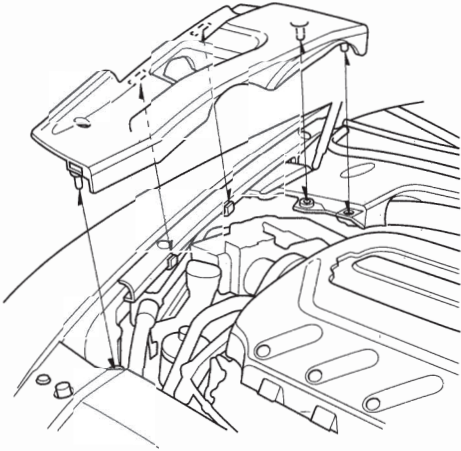


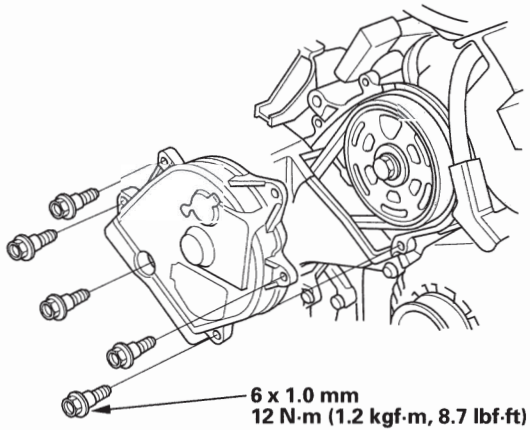


Timing Belt Inspection

1. Remove the right side engine compartment cover.



2. Remove the front upper cover.



3. Inspect the timing belt for cracks and oil or coolant soaking. Replace the belt if it is cracked or soaked. Remove any oil or solvent that gets on the belt.

