

Audio Unit Removal and Installation

Removal

NOTE:

- Do not work in a dusty or dirty place.
- Do not work with dirty hands.
- Eject the disc before disconnecting the audio unit to prevent damaging the CD player's load mechanism.
- If you are replacing the audio unit, write down the audio presets (if possible), and enter them into the new audio unit.

1. Driver's Inner Dashboard Trim - Remove

1. [Remove the driver's inner dashboard trim.](#)

2. Passenger's Dashboard Trim Panel - Remove

1. [Remove the passenger's dashboard trim panel.](#)

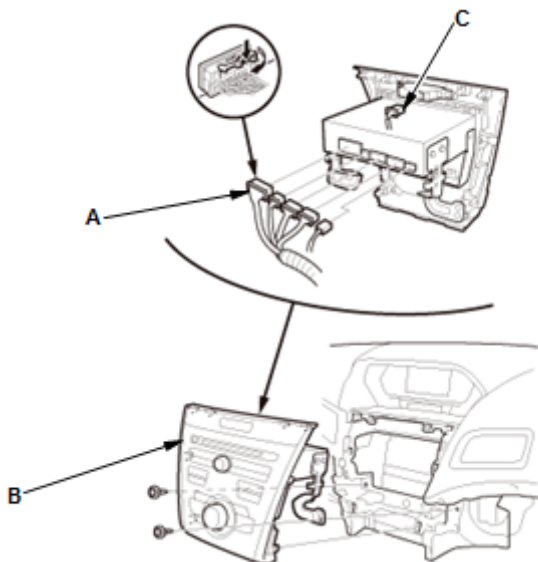
3. Driver's Dashboard Lower Cover - Remove

1. [Remove the driver's dashboard lower cover.](#)

4. Climate Control Unit - Remove

1. [Remove the climate control unit.](#)

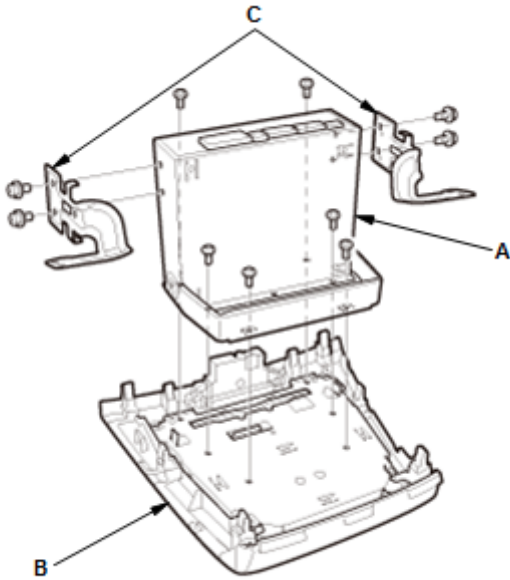
5. Audio Unit Assembly - Remove



1. Pull out the audio unit assembly (B).
2. Disconnect the hazard warning switch connector (C) and the audio unit connectors.

NOTE: There is a lever lock on audio unit connector A.

6. Audio Unit - Remove



NOTE:

- Do not touch the circuit board(s) with your bare hands.
- Discharge static electricity from your body before and during the work.
- Do not touch the terminal connector of the flat plate cable with your bare hands (If you have touched it, wipe it off thoroughly).

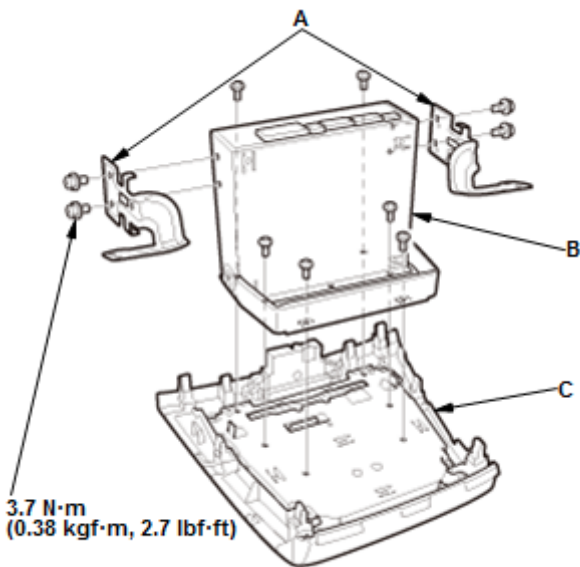
1. Remove the audio unit (A) from the audio switch panel (B).
2. Remove the brackets (C).

Installation

NOTE:

- Do not work in a dusty or dirty place.
- Do not work with dirty hands.
- If you are replacing the audio unit, write down the audio presets (if possible), and enter them into the new audio unit.

1. Audio Unit - Install

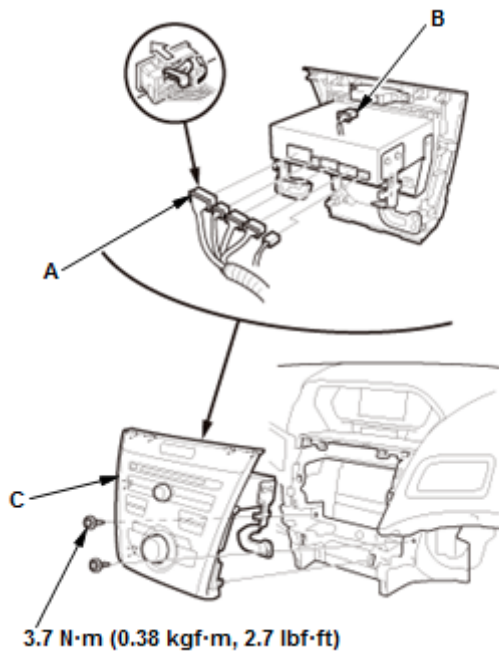


NOTE:

- Do not touch the circuit board(s) with your bare hands.
- Discharge static electricity from your body before and during the work.
- Do not touch the terminal connector of the flat plate cable with your bare hands (If you have touched it, wipe it off thoroughly).

1. Install the brackets (A).
2. Install the audio unit (B) to the audio switch panel (C).

2. Audio Unit Assembly - Install



1. Connect the audio unit connectors and the hazard warning switch connector (B), and install the audio unit assembly (C).

NOTE:

- There is a lever lock on audio unit connector A.
- Make sure all the connectors and the antenna lead are secure.

3. Climate Control Unit - Install

1. [Install the climate control unit.](#)

4. Driver's Dashboard Lower Cover - Install

1. Install the driver's dashboard lower cover.

5. Passenger's Dashboard Trim Panel - Install

1. [Install the passenger's dashboard trim panel.](#)

6. Driver's Inner Dashboard Trim - Install

1. [Install the driver's inner dashboard trim.](#)