

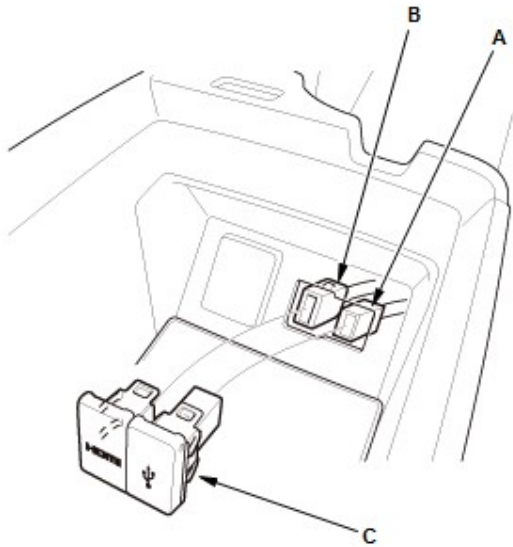
USB Adapter Removal and Installation

Removal/Installation

1. Center Console Panel - Remove

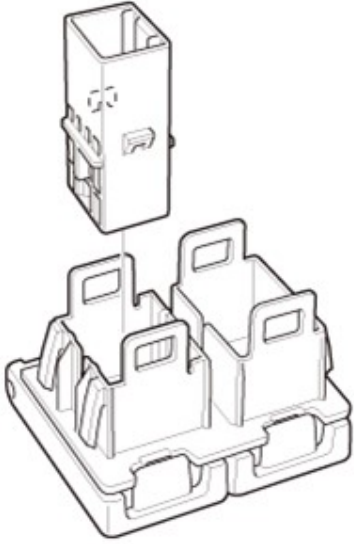
2. USB Adapter Holder/Auxiliary Jack Assembly - Remove (With Navigation)

3. HDMI/USB Adapter Holder - Remove (Without Navigation)



1. Disconnect the USB adapter connector (A).
2. Remove the HDMI port connector (B).
3. Remove the HDMI/USB adapter holder (C).

4. USB Adapter - Remove



5. All Removed Parts - Install

1. Install the USB adapter in the reverse order of removal.