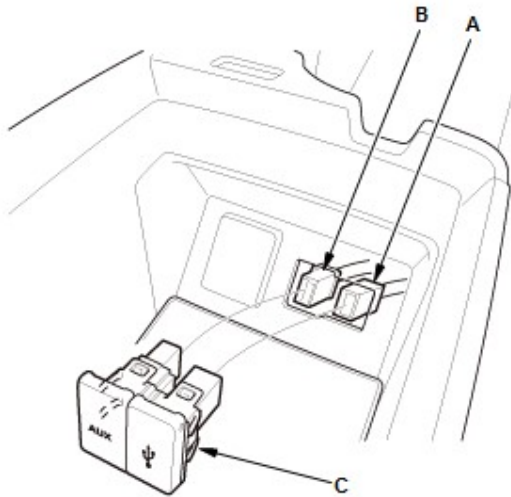


USB Adapter Holder/Auxiliary Jack Assembly Removal and Installation

Removal/Installation

1. Center Console Panel - Remove

2. USB Adapter Holder/Auxiliary Jack Assembly - Remove



1. Disconnect the USB adapter connector (A).
2. Disconnect the auxiliary jack assembly connector (B).
3. Remove the USB adapter holder/auxiliary jack assembly (C).

3. USB Adapter - Remove

4. All Removed Parts - Install

1. Install the USB adapter holder/auxiliary jack assembly in the reverse order of removal.