

Speaker Removal, Installation, and Test

Removal

SRS components are located in this area. Review the [SRS component locations](#) and the [precautions and procedures](#) before doing repairs or service.

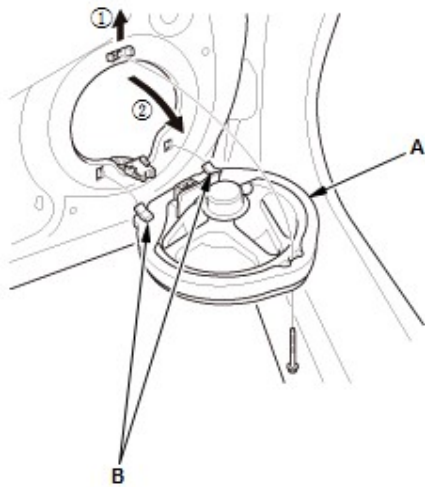
Door Speaker

1. Door Panel - Remove

1. Remove the door panel:

- [Front door panel](#)
- [Rear door panel](#)

2. Door Speaker - Remove

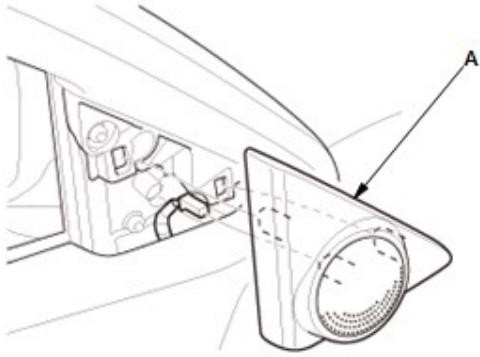


1. Remove the bolt, then lift the door speaker (A) straight up to release the lower clips (B).

2. Disconnect the door speaker connector.

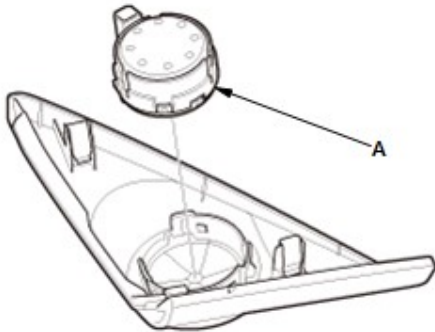
Tweeter

1. Door Mirror Garnish - Remove



1. Remove the door mirror garnish (A).
2. Disconnect the tweeter connector.

2. Tweeter - Remove



1. Remove the tweeter (A).

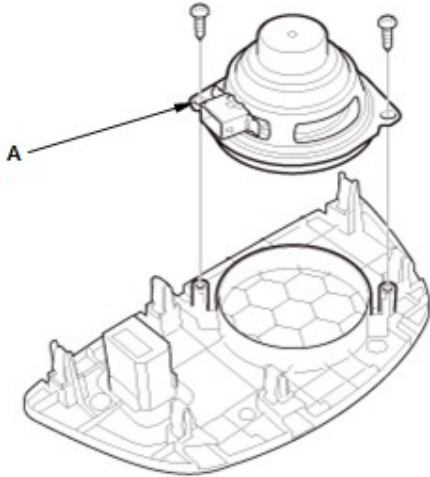
Front Center Speaker

1. Center Speaker Trim - Remove

1. [Remove the center speaker trim.](#)

2. Front Center Speaker - Remove

1. Remove the front center speaker (A).



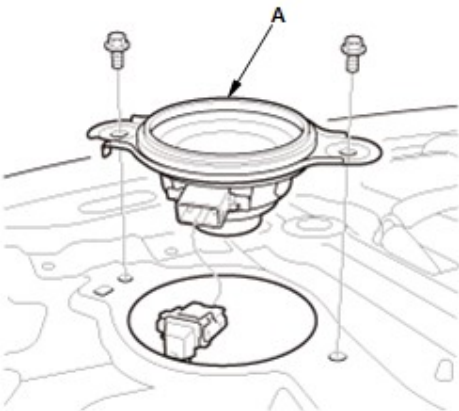
Rear Speaker

1. Rear Shelf Trim - Remove

1. [Remove the rear shelf trim.](#)

2. Rear Speaker - Remove

1. Remove the rear speaker (A).
2. Disconnect the rear speaker connector.

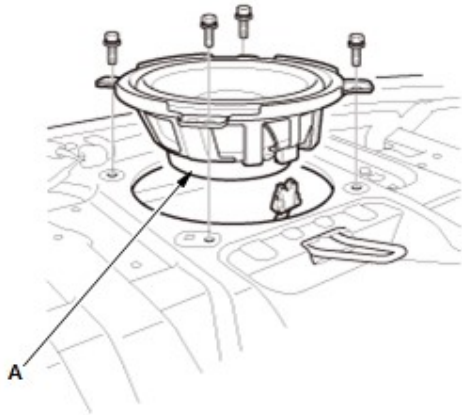


Subwoofer

1. Rear Shelf Trim - Remove

1. [Remove the rear shelf trim.](#)

2. Subwoofer - Remove

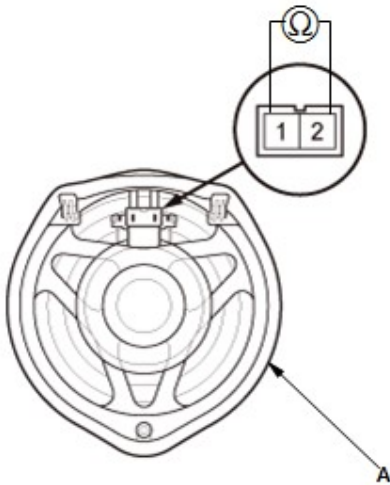


1. Remove the subwoofer (A).
2. Disconnect the subwoofer connector.

Test

Door Speaker

1. Speaker - Test

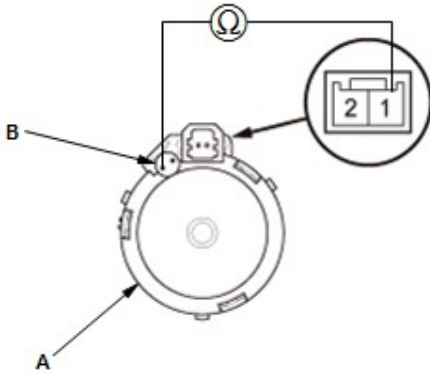


1. Measure the resistance between terminals No. 1 and No. 2:
 - Without navigation, there should be about 4 Ω .
 - With navigation, there should be about 2 Ω .
2. If the resistance is not as specified, replace the door speaker (A).

Tweeter

1. Tweeter - Test

Without Navigation, without Premium Audio

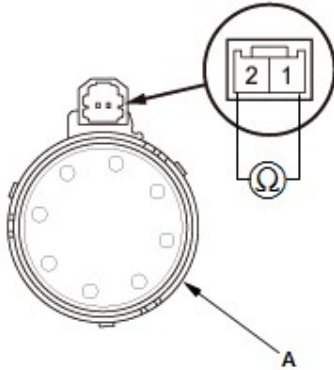


1. Measure the resistance between the tweeter (A) terminals as shown.

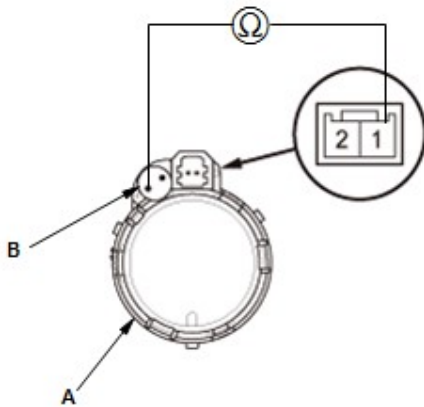
- Without navigation, without premium audio: Measure the resistance between terminal No. 1 and the outside terminal of the capacitor (B). There should be about 4 Ω. Also check the capacitor condition.
- Without navigation, with premium audio: Measure the resistance between terminal No. 1 and terminal No. 2. There should be about 3.3 Ω.
- With navigation: Measure the resistance between terminal No. 1 and the outside terminal of the capacitor (B). There should be about 6 Ω. Also check the capacitor condition.

2. If the resistance is not as specified, replace the tweeter.

Without Navigation, with Premium Audio

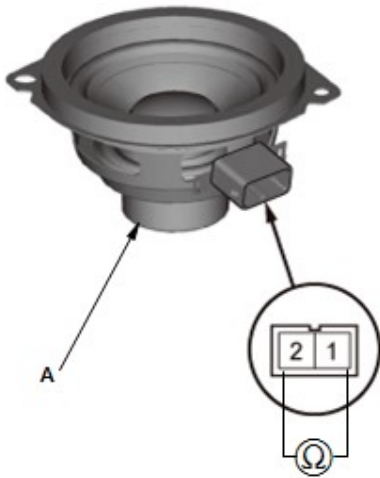


With Navigation



Front Center Speaker

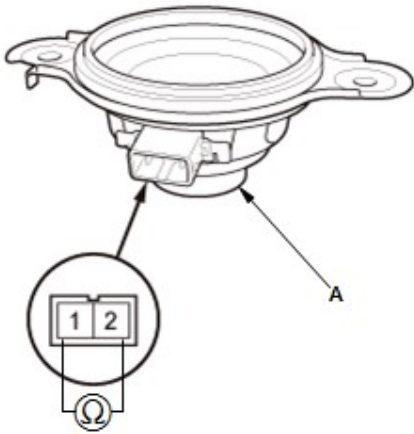
1. Front Center Speaker - Test



1. Measure the resistance between terminals No. 1 and No. 2. There should be about 4 Ω.
2. If the resistance is not as specified, replace the front center speaker (A).

Rear Speaker

1. Rear Speaker - Test

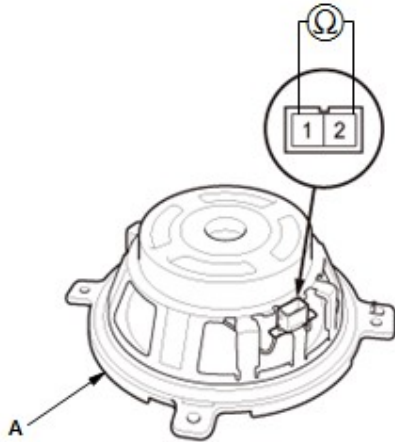


1. Measure the resistance between terminals No. 1 and No. 2. There should be about 4 Ω.
2. If the resistance is not as specified, replace the rear speaker (A).

Subwoofer

1. Subwoofer - Test

1. Measure the resistance between the terminals No. 1 and No. 2. There should be about 2 Ω .
2. If the resistance is not as specified, replace the subwoofer (A).

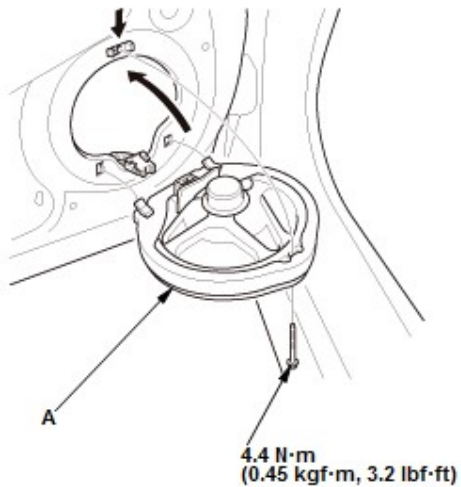


Installation

SRS components are located in this area. Review the [SRS component locations](#) and the [precautions and procedures](#) before doing repairs or service.

Door Speaker

1. Door Speaker - Install



1. Connect the door speaker connector.
2. Install the door speaker (A).

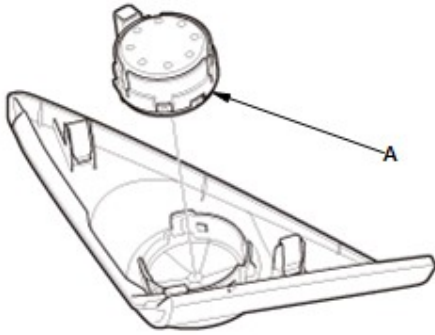
2. Door Panel - Install

1. Install the door panel:

- [Front door panel](#)
- [Rear door panel](#)

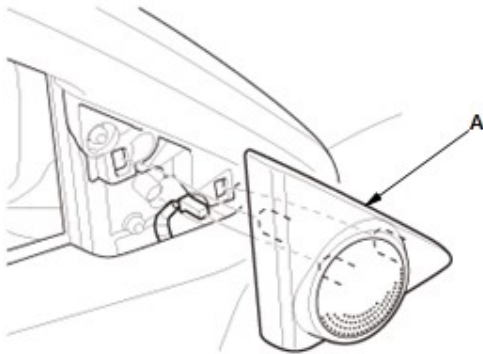
Tweeter

1. Tweeter - Install



1. Install the tweeter (A).

2. Door Mirror Garnish - Install

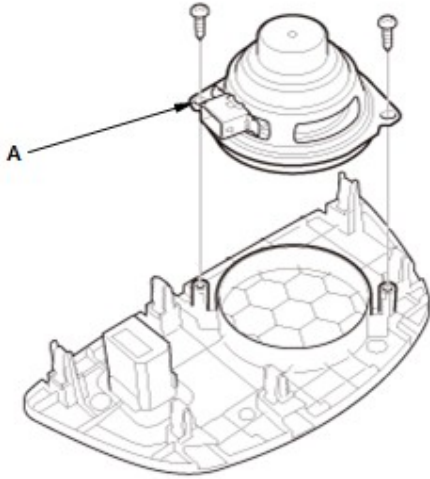


1. Connect the tweeter connector.
2. Install the door mirror garnish (A).

Front Center Speaker

1. Front Center Speaker - Install

1. Install the front center speaker (A).

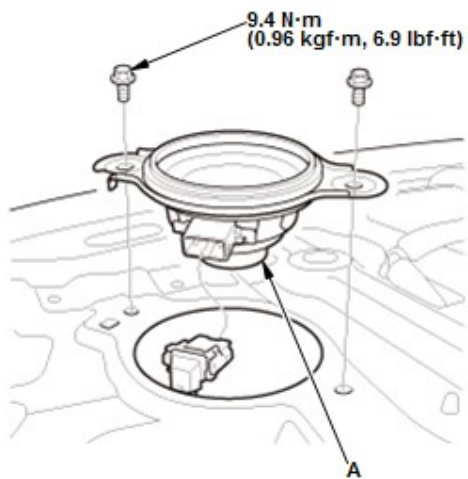


2. Center Speaker Trim - Install

1. [Install the center speaker trim.](#)

Rear Speaker

1. Rear Speaker - Install



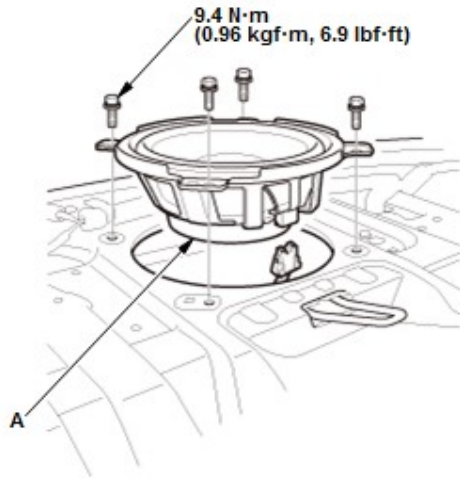
1. Connect the rear speaker connector.
2. Install the rear speaker (A).

2. Rear Shelf Trim - Install

1. [Install the rear shelf trim.](#)

Subwoofer

1. Subwoofer - Install



1. Connect the subwoofer connector.
2. Install the subwoofer (A).

2. Rear Shelf Trim - Install

1. [Install the rear shelf trim.](#)