

Dashboard Side Cover Removal and Installation

Removal

1. Driver's Dashboard Lower Cover (Driver's Side) - Remove

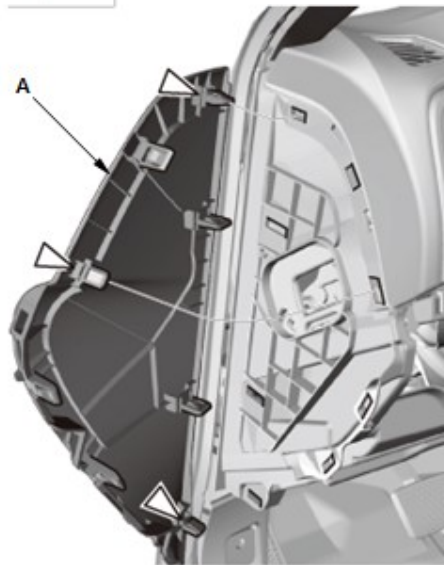
1. [Remove the driver's dashboard lower cover.](#)

2. Dashboard Side Cover - Remove

Driver's side

Fastener Locations

▽ : 3

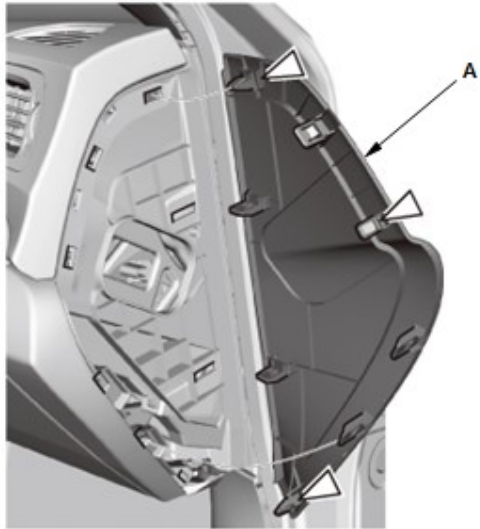


1. Remove the dashboard side cover (A).

Passenger's side

Fastener Locations

▽ : 3



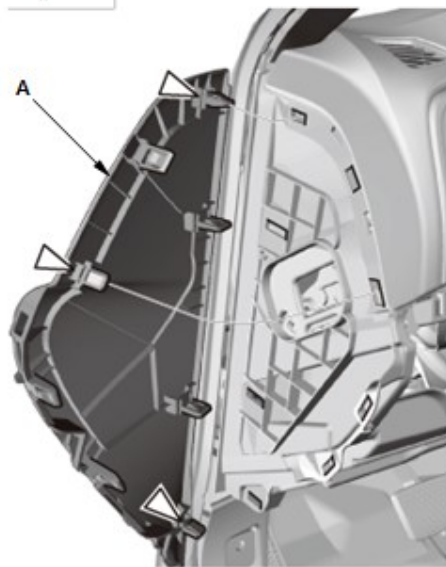
Installation

1. Dashboard Side Cover - Install

Driver's side

Fastener Locations

▽ : 3

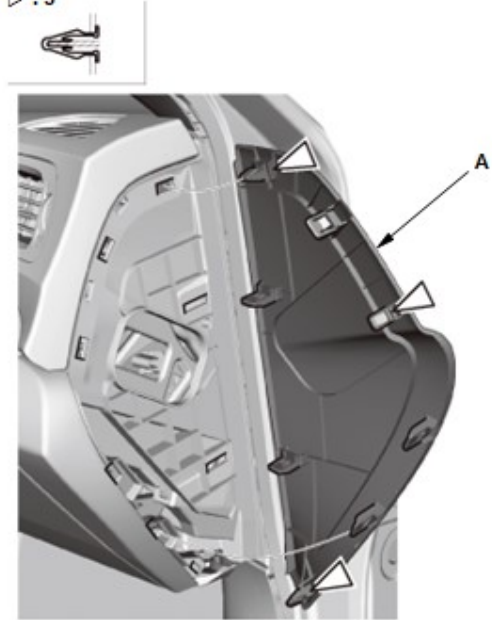


1. Install the dashboard side cover (A).

Passenger's side

Fastener Locations

▽ : 3



2. Driver's Dashboard Lower Cover (Driver's Side) - Install

1. [Install the driver's dashboard lower cover.](#)