

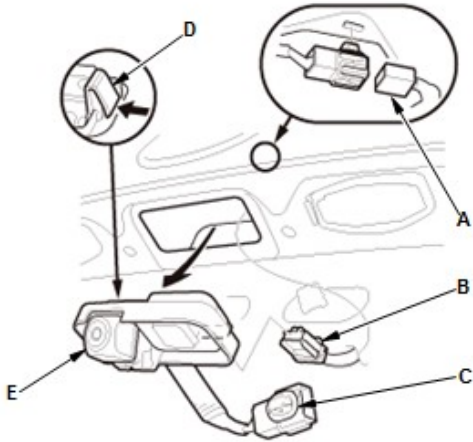
Rearview Camera Removal and Installation

Removal

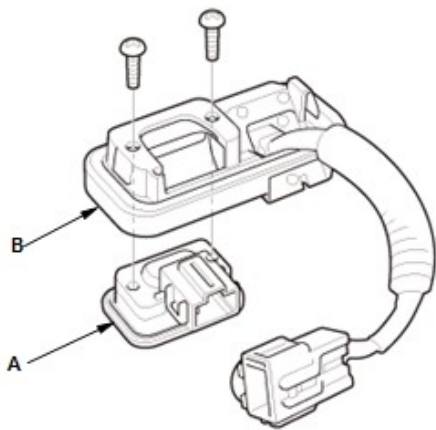
1. Trunk Lid Trim Panel - Remove

1. [Remove the trunk lid trim panel.](#)

2. Rearview Camera - Remove



1. Disconnect the rearview camera connector (A) and the trunk lid outer handle switch connector (B).
2. Remove the connector clip (C).
3. Pushing the tab (D), and pull out the rearview camera (E).

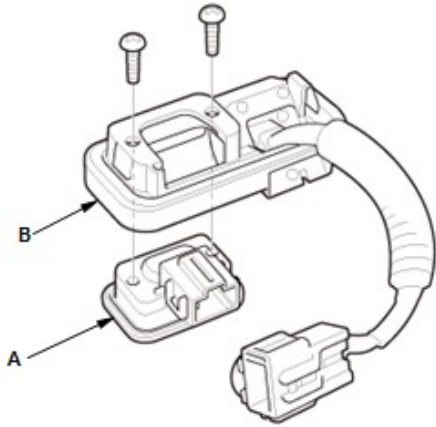


4. Remove the trunk lid outer handle switch (A) from the bracket (B).

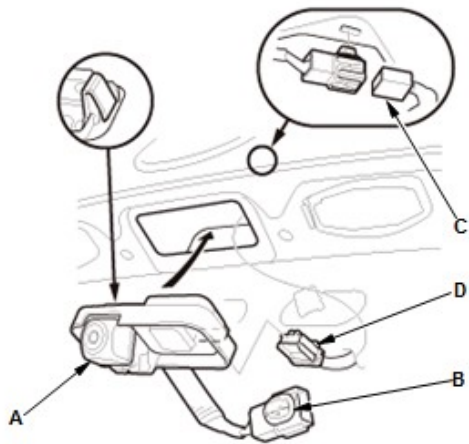
Installation

1. Rearview Camera - Install

1. Install the trunk lid outer handle switch (A) to the bracket (B).



-
2. Install the rearview camera (A).
 3. Install the connector clip (B).
 4. Connect the rearview camera connector (C) and the trunk lid outer handle switch connector (D).



2. Trunk Lid Trim Panel - Install

1. [Install the trunk lid trim panel.](#)