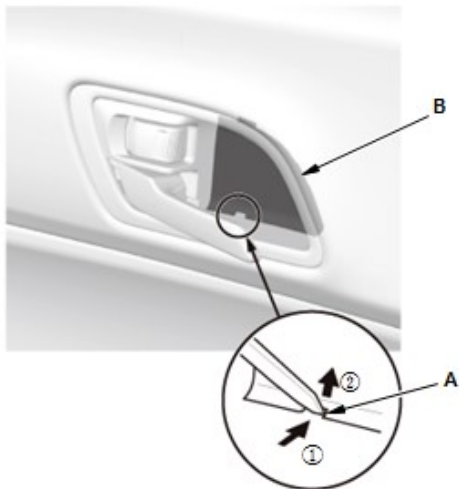


Rear Door Panel Removal and Installation

Removal

1. Rear Door Panel - Remove



1. Push on the upper hook (A) with the appropriate trim tool, then pull back the inner handle cap (B) to remove it.

Fastener Locations

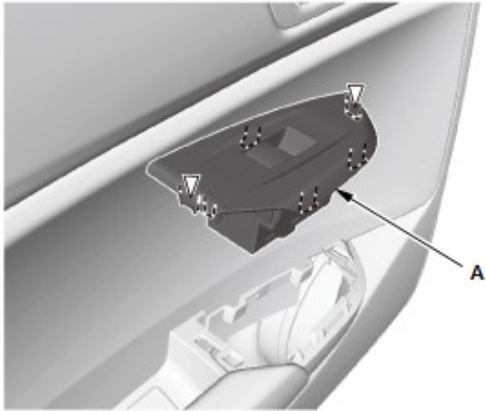
A ▶ : 2



2. Remove the screws (A) securing the rear door inner handle.
-

Fastener Locations

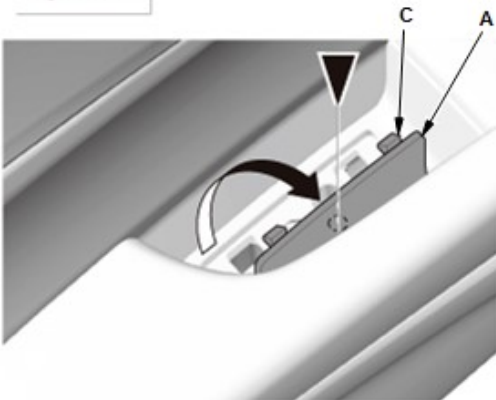
▷: 2



3. Remove the rear power window switch panel (A).

Fastener Location

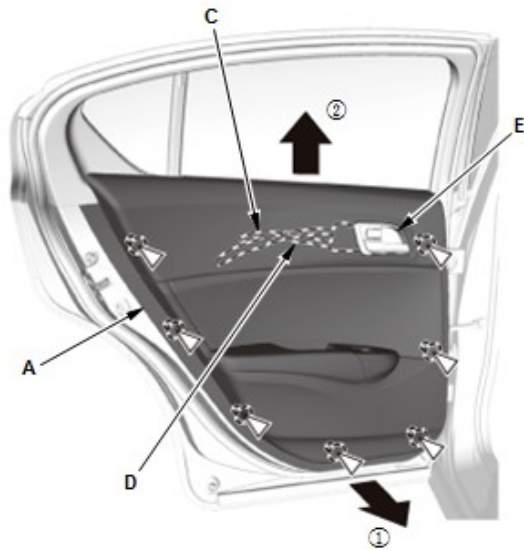
B ▶: 1



4. Reach through the power window switch opening, and push up on the corner lock tab (C) to release the pull pocket cover (A).
5. Remove the pull pocket cover and the screw (B).

Fastener Locations

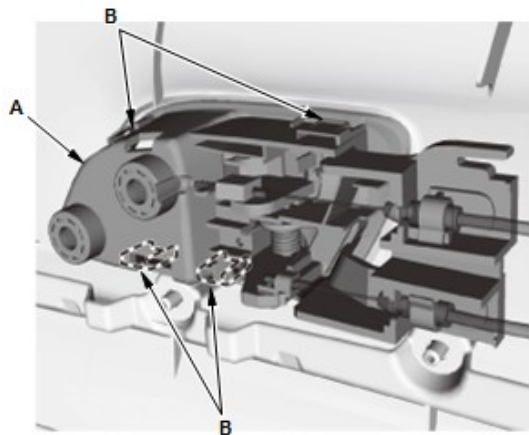
B ▷ : 7



6. Start at the bottom edge of the rear door panel (A), remove the clips (B) with a commercially available trim pad remover.

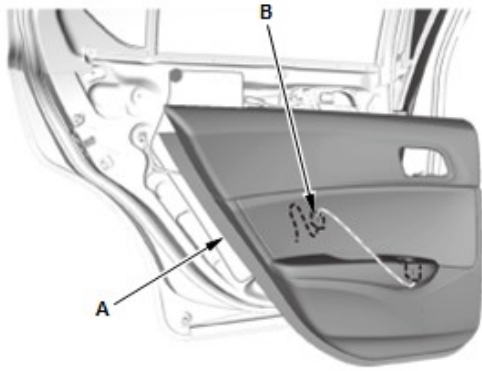
7. Starting at the rear, pull the door panel upward.

NOTE: The inner handle cable (C) and the latch cable (D) are connected to the rear door inner handle (E). Do not pull up the door panel too far, or these cables will be damaged.

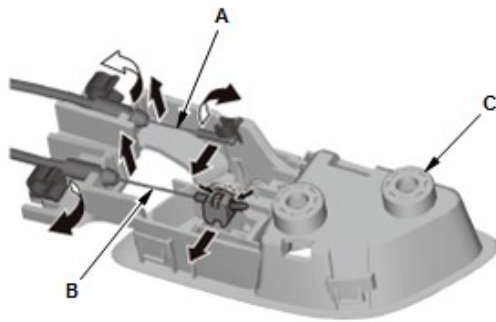


8. While holding the door panel away from the door, remove the rear door inner handle (A) from the door panel by releasing the hooks (B).

9. While holding the rear door panel (A) away from the door, disconnect the power window switch connector (B).



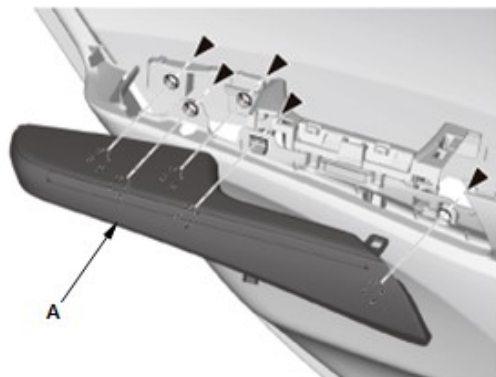
2. Rear Door Inner handle - Remove



1. Disconnect the inner handle cable (A) and the latch cable (B) from the rear door inner handle (C), then remove the handle.

3. Rear Door Armrest - Remove

Fastener Locations



1. Remove the rear door armrest (A).

4. Rear Door Inner Weatherstrip - Remove

1. Remove the rear door inner weatherstrip (A).



Installation

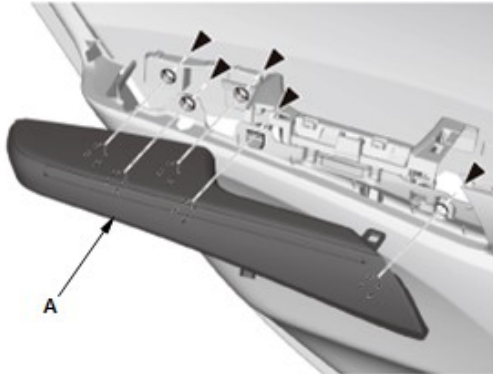
1. Rear Door Inner Weatherstrip - Install

1. Install the rear door inner weatherstrip (A).



2. Rear Door Armrest - Install

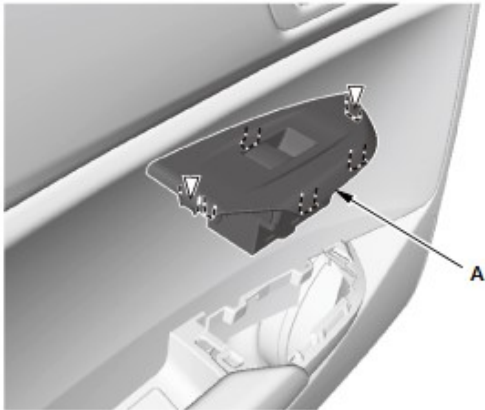
Fastener Locations



1. Install the rear door armrest (A).

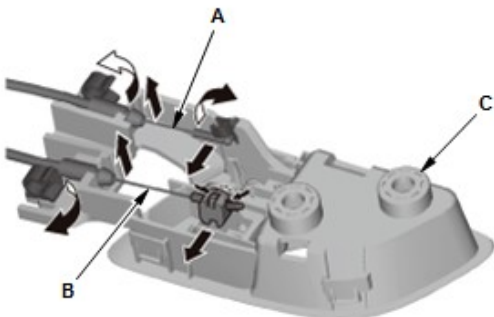
3. Rear Power Window Switch Panel - Install

Fastener Locations



1. Install the rear power window switch panel (A).

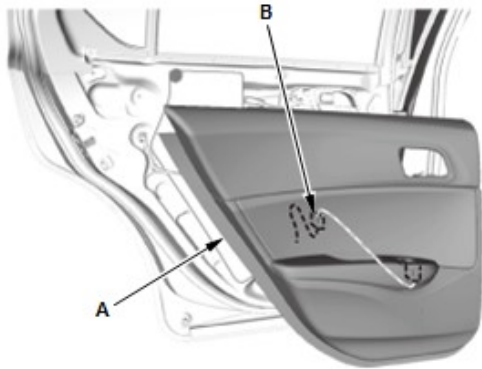
4. Rear Door Inner handle - Install



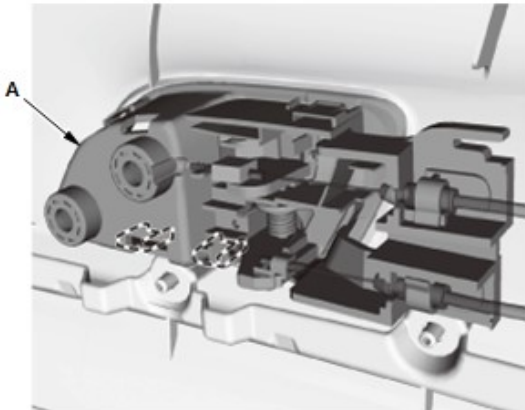
1. Connect the inner handle cable (A) and the latch cable (B) to the inner handle (C).

NOTE: If the latch cable and the inner handle cable are damaged or stress-whitened, replace them with new ones.

5. Rear Door Panel - Install



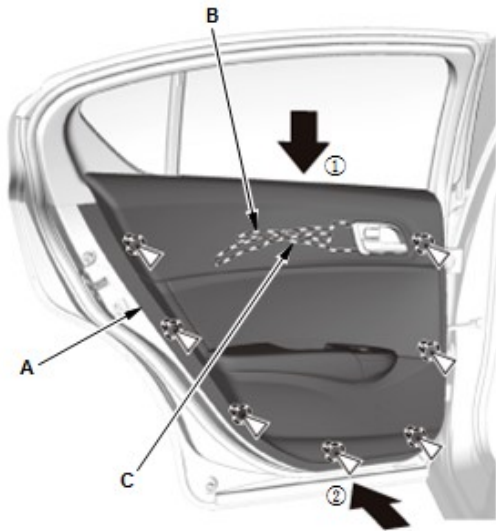
1. While holding the rear door panel (A), connect the power window switch connector (B).



2. While holding the door panel, install the rear door inner handle (A) to the door panel.

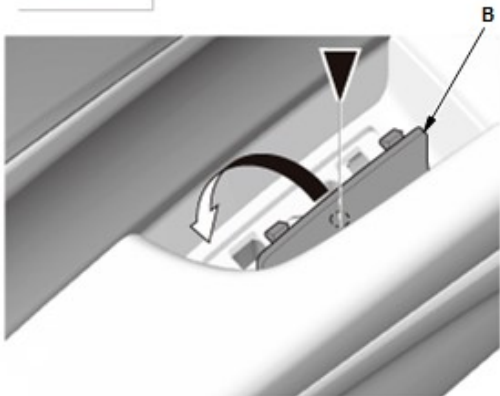
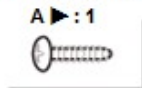
3. Install the rear door panel (A).

Fastener Locations



NOTE: If the latch cable (B) and the inner handle cable (C) are damaged or stress-whitened, replace them with new ones.

Fastener Location



4. Install the screw (A).

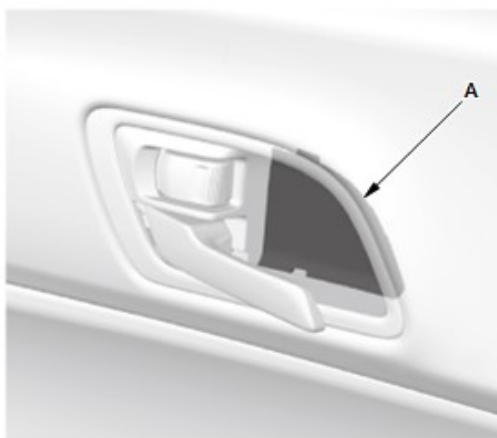
5. Install the pull pocket cover (B).

Fastener Locations

A ▶ : 2



6. Install the screws (A) securing the rear door inner handle.



7. Install the inner handle cap (A).