

## Power Mirror Removal and Installation

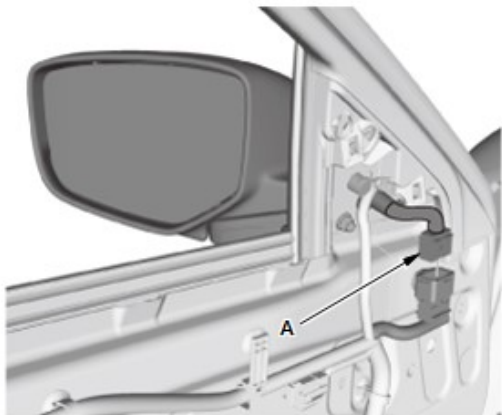
### Removal

#### 1. Front Door Panel - Remove

1. [Remove the front door panel.](#)

#### 2. Power Mirror - Remove

1. Disconnect the power mirror connector (A).



---

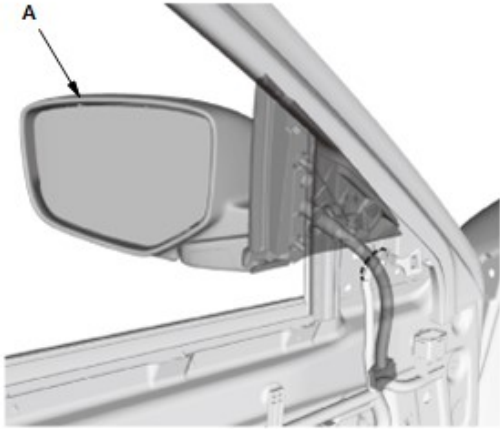
#### Fastener Locations

B ● : 3



2. While holding the power mirror (A), remove the nuts (B).
-

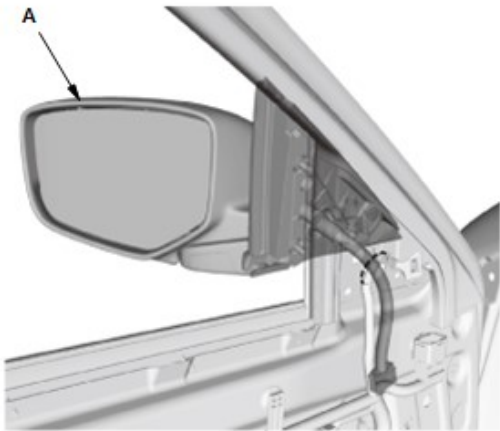
3. Remove the power mirror (A).



## Installation

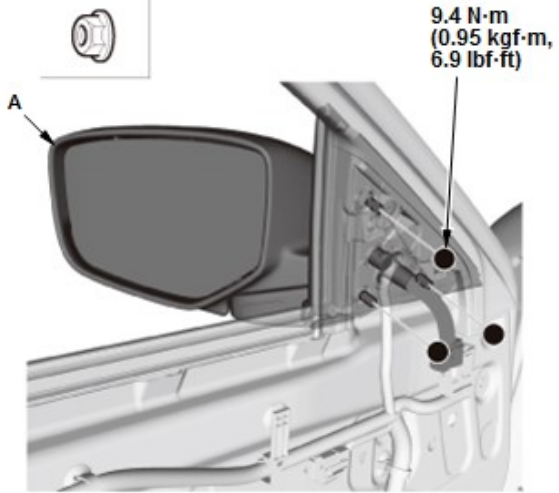
1. Power Mirror - Install

1. Install the power mirror (A).



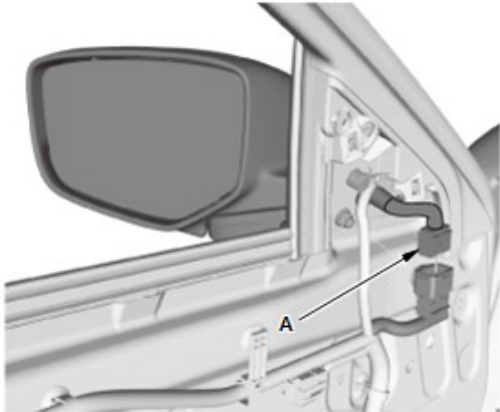
### Fastener Locations

B ● : 3



2. While holding the power mirror (A), install the nuts (B).

- 
3. Connect the power mirror connector (A).



### 2. Front Door Panel - Install

1. [Install the front door panel.](#)