

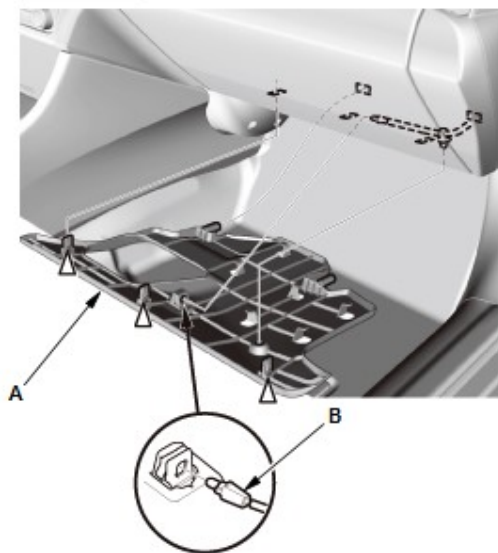
## Passenger's Dashboard Undercover Removal and Installation

### Removal

#### 1. Passenger's Dashboard Undercover - Remove

##### Fastener Locations

▽ : 3



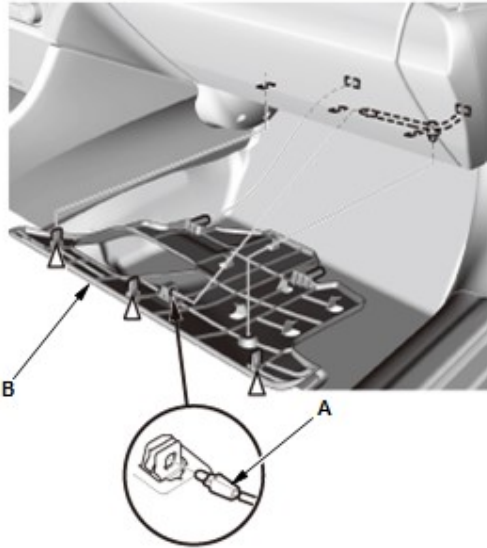
1. Remove the passenger's dashboard undercover (A).
2. Disconnect the passenger's footwell light bulb socket (B).

### Installation

#### 1. Passenger's Dashboard Undercover - Install

### Fastener Locations

▽ : 3



1. Connect the passenger's footwell light bulb socket (A).
2. Install the passenger's dashboard undercover (B).