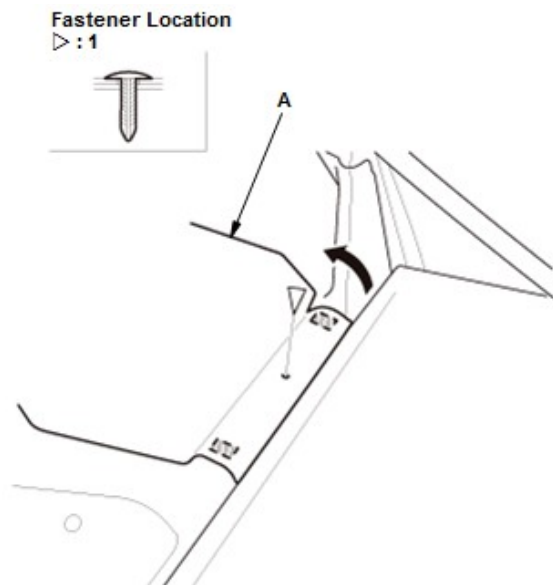


Interior Trim Removal and Installation - Trunk Area

Removal

Trunk Floor Cover

1. Trunk Floor Cover - Remove



1. Fold down the seat-back.
2. Remove the front area of the trunk floor cover (A).



3. Remove the trunk floor cover (A).

Trunk Rear Trim Panel

1. Trunk Floor Cover - Remove

1. Remove the trunk floor cover.

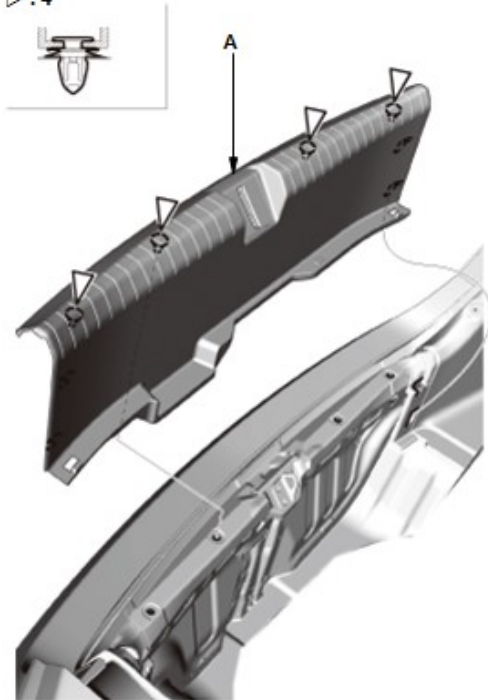
2. Trunk Lid Weatherstrip - Remove (as needed)

1. [Remove the trunk lid weatherstrip as needed.](#)

3. Trunk Rear Trim Panel - Remove

Fastener Locations

▷ : 4



1. Remove the trunk rear trim panel (A).

Trunk Rear Side Trim Panel

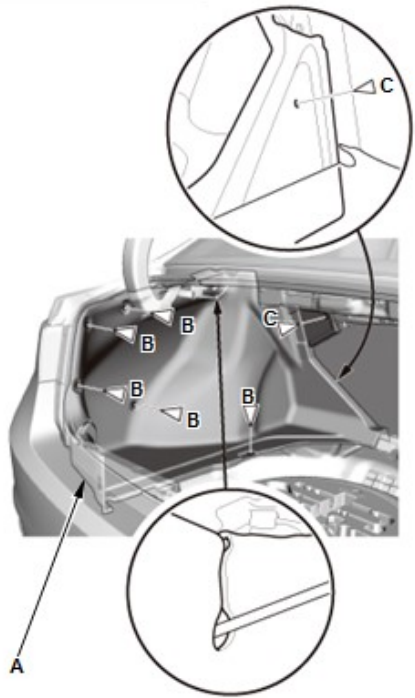
1. Trunk Rear Trim Panel - Remove

1. Remove the trunk rear trim panel.

2. Trunk Rear Side Trim Panel - Remove

Fastener Locations

B ▷ : 5 C ▷ : 2



1. Remove the trunk rear side trim panel (A).

Spare Tire Cover

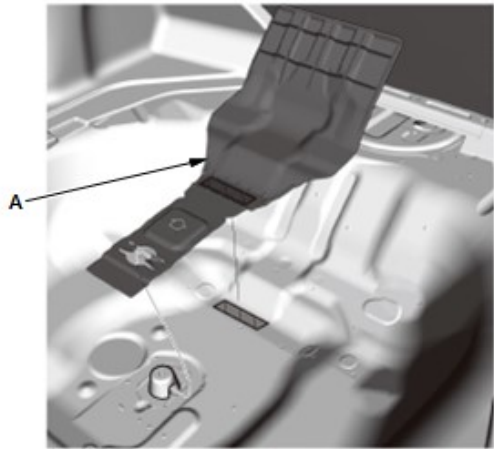
1. Trunk Floor Cover - Remove

1. Remove the trunk floor cover.

2. Spare Tire Cover (For Some Models) - Remove

1. Remove the trunk tool box (A).



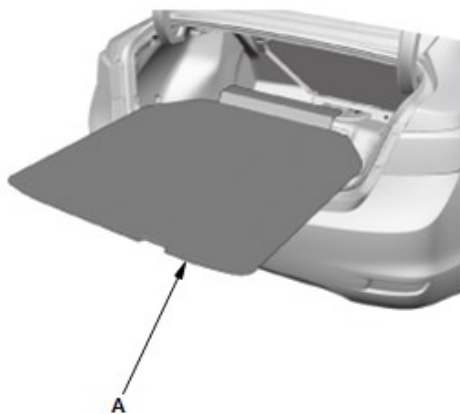


2. Remove the spare tire.
3. Remove the spare tire cover (A).

Installation

Trunk Floor Cover

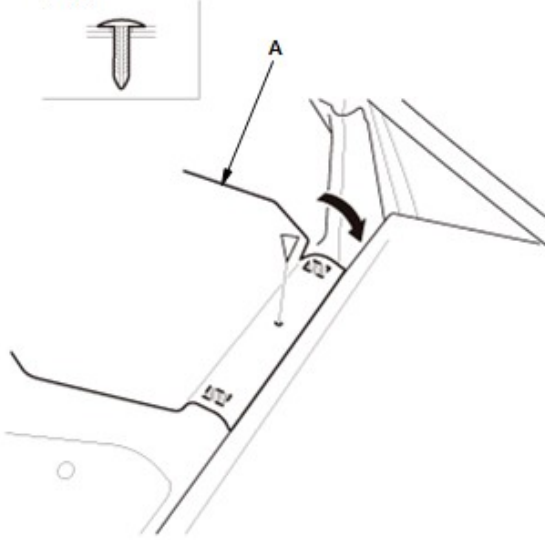
1. Trunk Floor Cover - Install



1. Install the trunk floor cover (A).
-

Fastener Location

▷ : 1



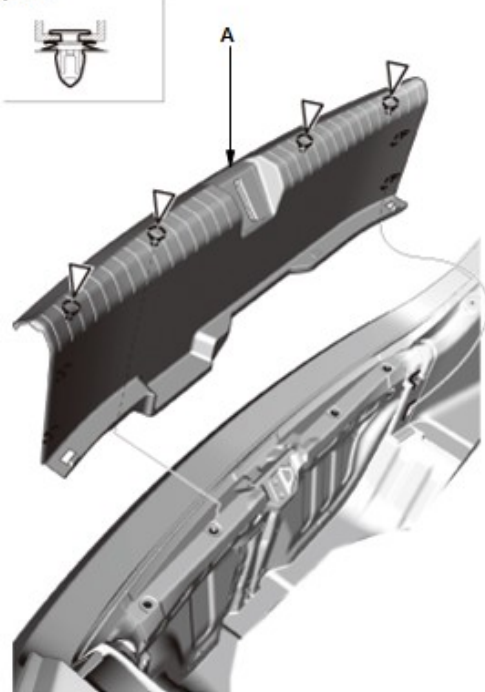
2. Install the front area of the trunk floor cover (A).
3. Raise the seat-back.

Trunk Rear Trim Panel

1. Trunk Rear Trim Panel - Install

Fastener Locations

▷ : 4



1. Install the trunk rear trim panel (A).

2. Trunk Lid Weatherstrip - Install

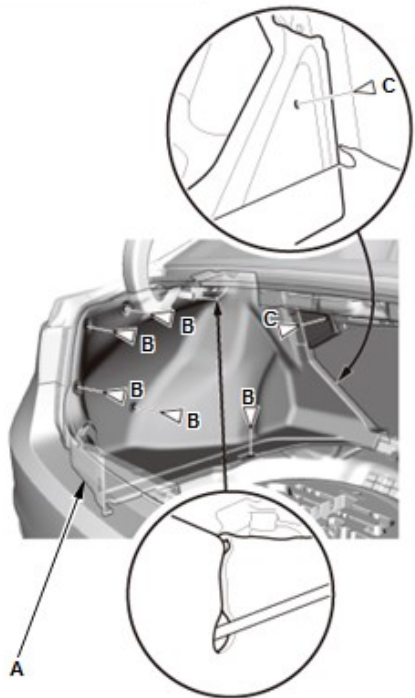
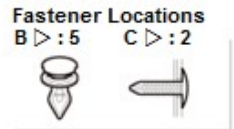
1. [Install the trunk lid weatherstrip.](#)

3. Trunk Floor Cover - Install

1. Install the trunk floor cover.

Trunk Rear Side Trim Panel

1. Trunk Rear Side Trim Panel - Install



1. Install the trunk rear side trim panel (A).

2. Trunk Rear Trim Panel - Install

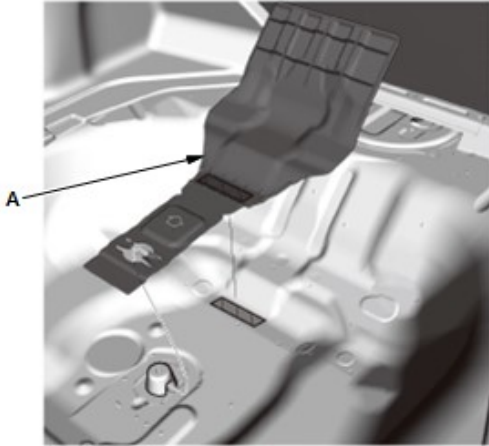
1. Install the trunk rear trim panel.

Spare Tire Cover

1. Spare Tire Cover (For Some Models) - Install

1. Install the spare tire cover (A).

2. Install the spare tire.



3. Install the trunk tool box (A).



2. Trunk Floor Cover - Install

1. Install the trunk floor cover.