

Interior Trim Removal and Installation - Pillar Areas

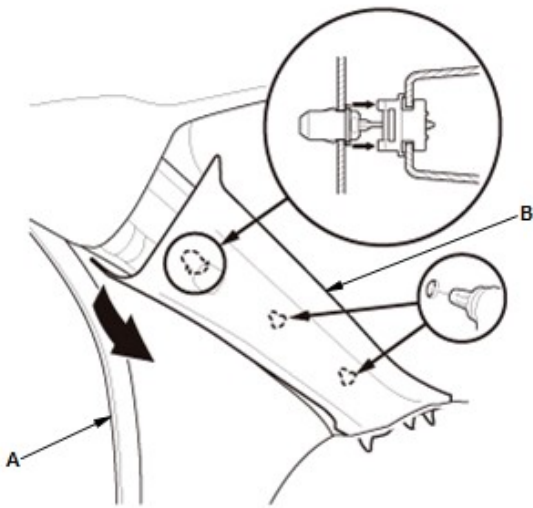
Removal/Installation

NOTE:

- SRS components are located in this area. Review the [SRS component locations](#) and the [precautions and procedures](#) before doing repairs or service.
- If side airbags and/or side curtain airbags have deployed, the affected pillar area trim and attachment clips must be replaced. [Refer to Component Replacement/Inspection After Deployment.](#)

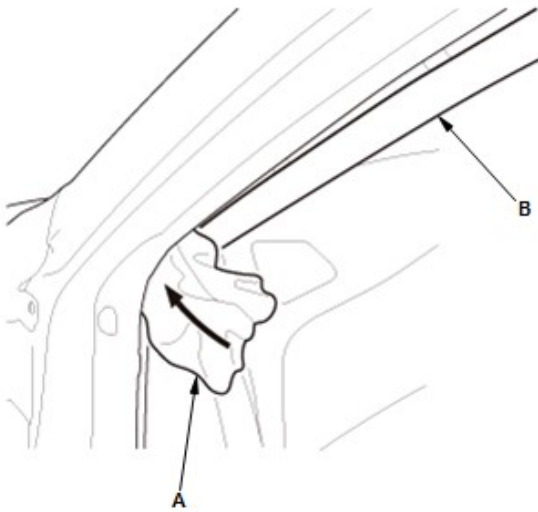
A-Pillar Trim

1. A-Pillar Trim - Remove



1. Remove front door opening seal (A) as needed.
2. Pull out the A-pillar trim (B).

- Put a shop towel (A) in the opening between the A-pillar trim (B) and the dashboard to prevent dropping the A-pillar clips.



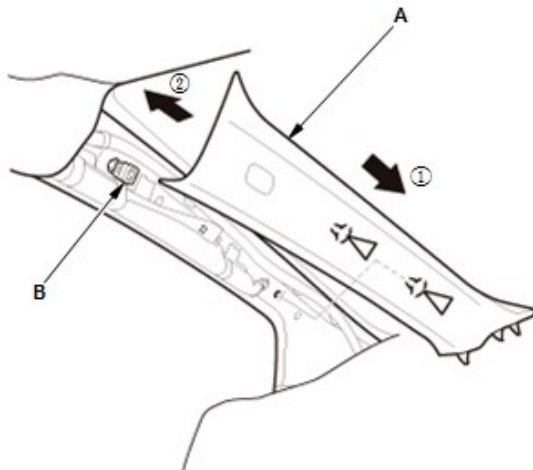
Fastener Locations

▷ : 2



- Remove the A-pillar trim (A).

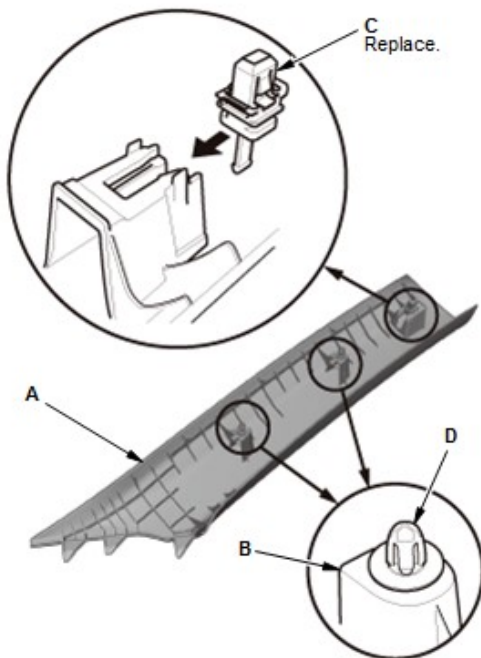
NOTE: The upper clip (B) will stay in the body.



5. Remove the upper clip (A) from the body.



2. A-Pillar Trim - Check



1. If the side curtain airbag has deployed, replace the A-pillar trim (A) and all clips on the trim with new parts.
2. If the side curtain airbag has not deployed, check the A-pillar trim and note the following items:
 - To prevent the side curtain airbags from deploying improperly and possibly causing injury, inspect the A-pillar trim and replace it with a new one if it has any of the following damage:
 - Any cracks, deformations, or stress-whitened areas in the A-pillar trim
 - Any cracks or stress-whitening in the clip seating surfaces (B)
 - After checking and adjusting the overlap between the headliner and the A-pillar trim, replace the upper clip (C) with a new one.
 - If the clips (D) are damaged or stress-whitened, replace them with new ones.

3. Headliner/Pillar Trim Overlap - Check

4. All Removed Parts - Install

1. Install the parts in the reverse order of removal.

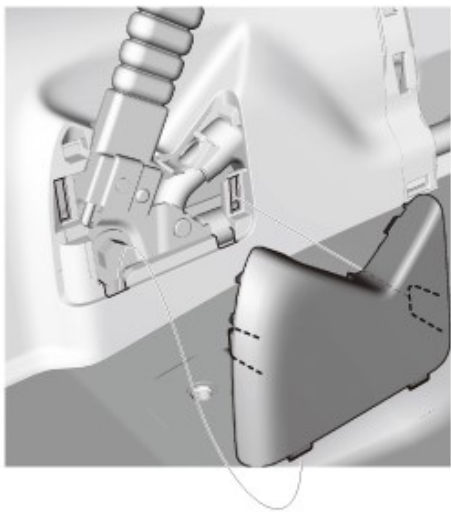
B-Pillar Upper/Lower Trim

1. Front Door Sill Trim - Remove

2. Rear Door Sill Trim - Remove

3. Front Seat Belt Lower Anchor - Remove

4. B-Pillar Lower Cover - Remove



5. B-Pillar Lower Trim - Remove

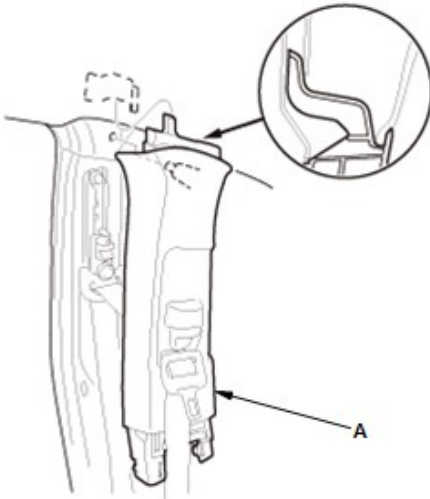
Fastener Locations

▷ : 2

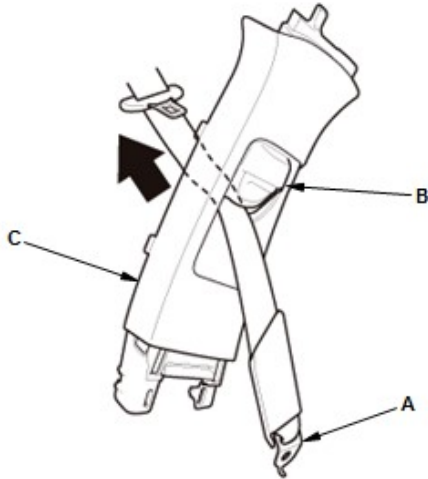


6. B-Pillar Upper Trim - Remove

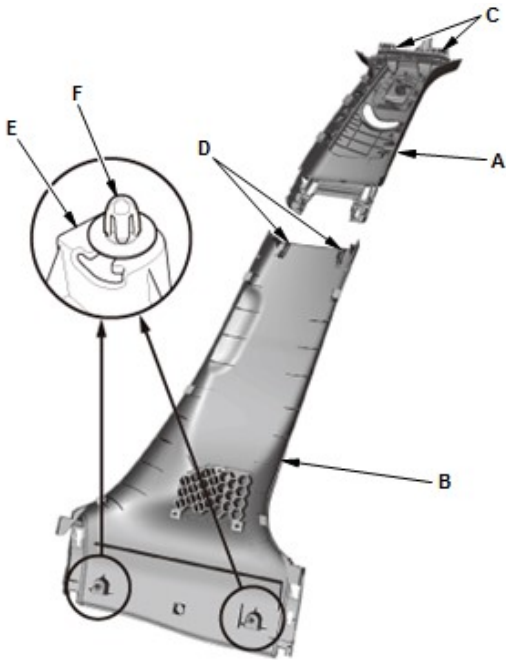
1. Remove the B-pillar upper trim (A).



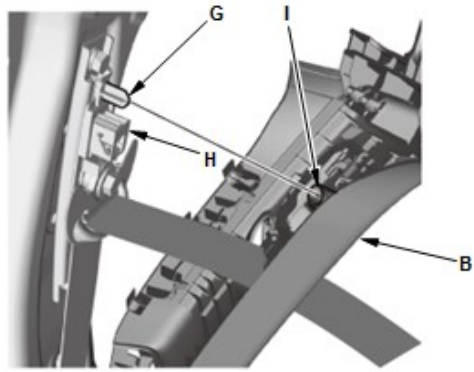
2. Pass the front seat belt lower anchor (A) out through the hole in the slider (B), then remove the B-pillar upper trim (C).



7. B-Pillar Upper/Lower Trim - Check



1. If the side curtain airbag has deployed, replace the B-pillar upper trim (A), the B-pillar lower trim (B) on the trim with new parts.
2. If the side curtain airbag has not deployed, check the B-pillar upper/lower trim and note the following items:
 - To prevent the side curtain airbags from deploying improperly and possibly causing injury, inspect the trim and replace it with a new one if it has any of the following damage:
 - Any cracks or deformations in the B-pillar upper trim or the upper hooks (C), or any stress-whitened areas in the upper part of the trim
 - Any cracks or deformations in the B-pillar lower trim, or any breakages in the hooks (D) fitted with the B-pillar upper trim
 - Any cracks or stress-whitening areas in the clip seating surfaces (E)



- If the clips (F) are damaged or stress-whitened, replace them with new ones.
- Make sure the pin (G) on the front seat belt shoulder anchor adjuster (H) and the hole (I) on the back of the slider are engaged when installing the B-pillar upper trim.

8. Headliner/Pillar Trim Overlap - Check

9. All Removed Parts - Install

1. Install the parts in the reverse order of removal.

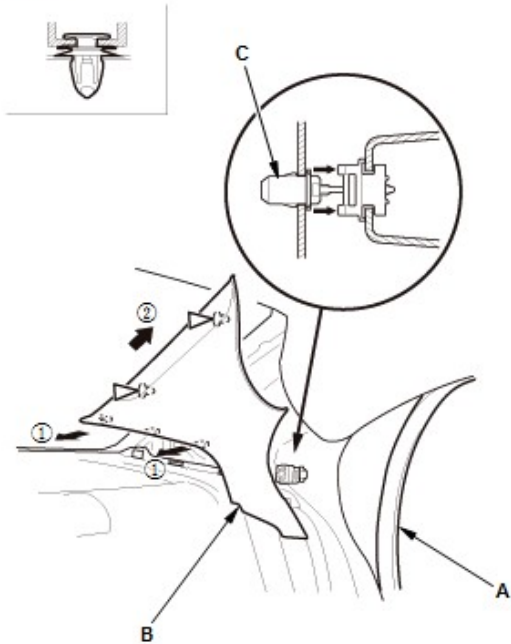
C-Pillar Trim

1. Rear Seat Side Bolster - Remove

2. C-Pillar Trim - Remove

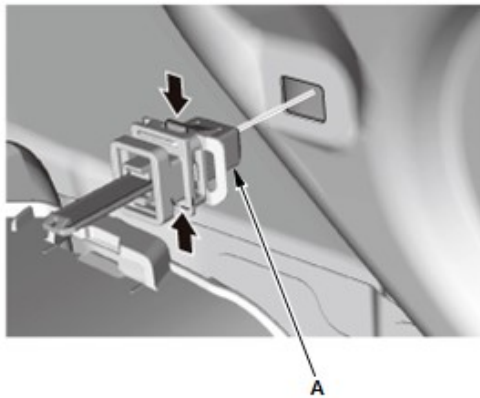
Fastener Locations

▷ : 2



1. Remove rear door opening seal (A) as needed.
2. Pull out the C-pillar trim (B) to release the clips.
3. Remove the C-pillar trim.

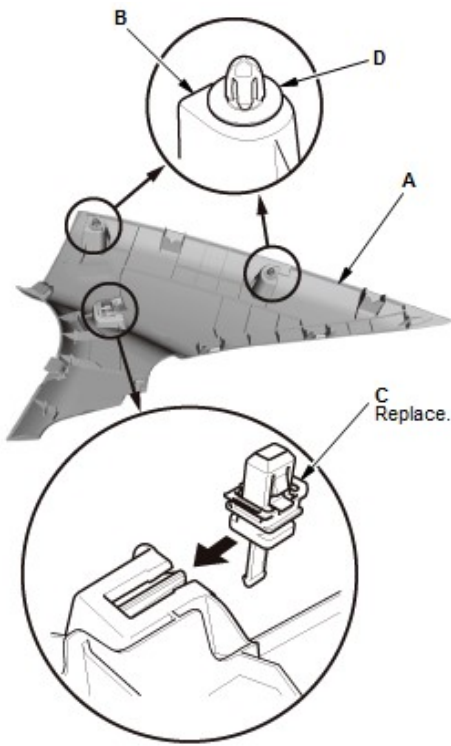
NOTE: The front clip (C) will stay in the body.



4. Remove the front clip (A).

3. C-Pillar Trim - Check

1. If the side curtain airbag has deployed, replace the C-pillar trim (A) with a new one.
2. If the side curtain airbag has not deployed, check the C-pillar trim and note the following items:



- To prevent the side curtain airbags from deploying improperly and possibly causing injury, inspect the C-pillar trim and replace it with a new one if it has any of the following damage:
 - Any cracks, deformations, or stress-whitening in the C-pillar trim
 - Any cracks or stress-whitening in the clip seating surfaces (B)
- After checking and adjusting the overlap between the headliner and the C-pillar trim, replace the front clip (C) with a new one.
- If the clips (D) are damaged or stress-whitened, replace them with new ones.

4. Headliner/Pillar Trim Overlap - Check

5. All Removed Parts - Install

1. Install the parts in the reverse order of removal.