

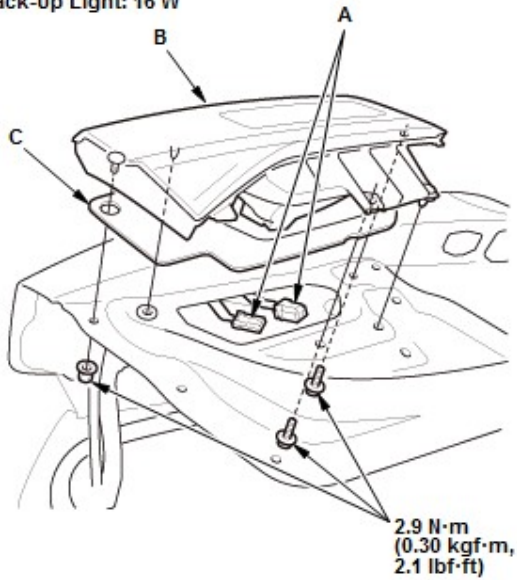
Inner Taillight Removal and Installation

Removal/Installation

1. Trunk Lower Trim - Remove

2. Inner Taillight - Remove

Inner Taillight: LED
Back-Up Light: 16 W



1. Disconnect these connectors (A):

- Back-up light connector
- Inner taillight connector

2. Remove the inner taillight (B).

3. Remove the gasket (C) from the inner taillight.

NOTE: Inspect the gasket, replace it if it is distorted or stays compressed.

3. All Removed Parts - Install

1. Install the parts in the reverse order of removal.