

Interior Trim Removal and Installation - Rear Shelf Area

Removal

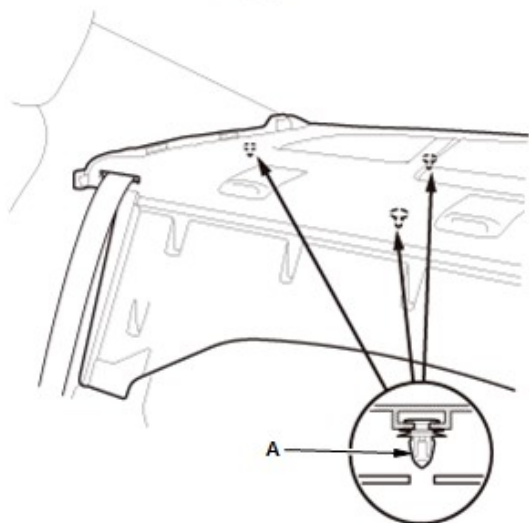
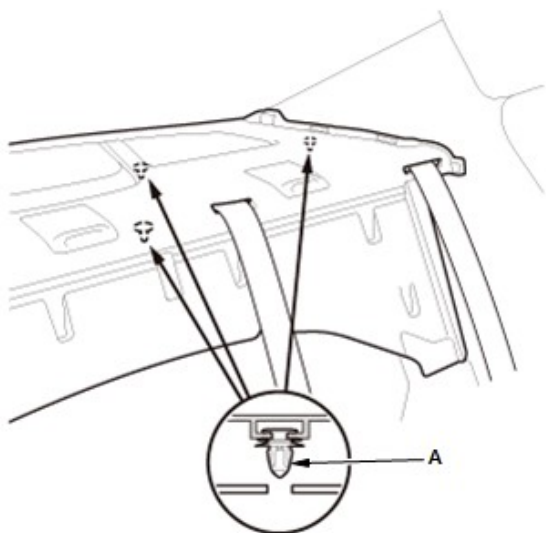
SRS components are located in this area. Review the [SRS component locations](#) and the [precautions and procedures](#) before doing repairs or service.

1. Both C-Pillar Trims - Remove

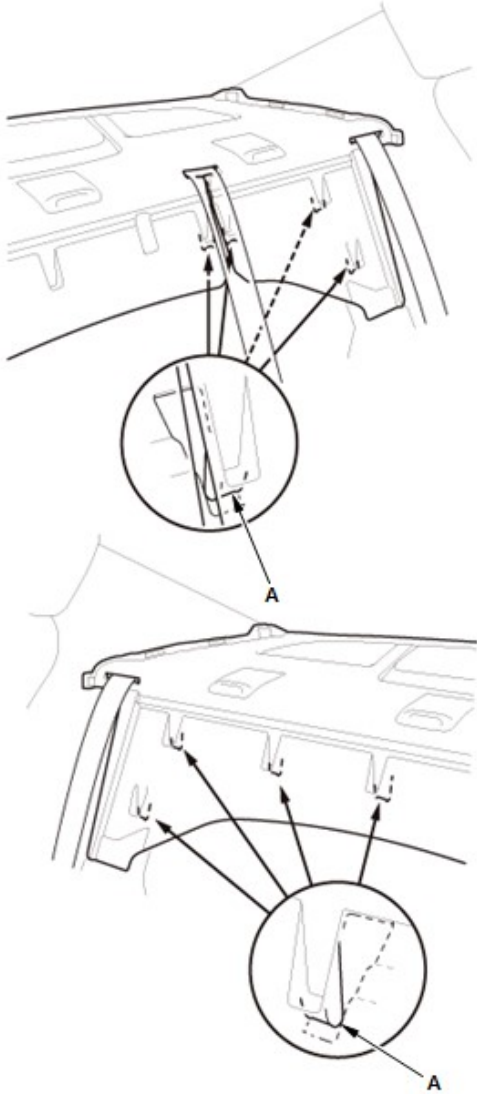
1. [Remove both C-pillar trims.](#)

2. Rear Shelf Trim - Remove

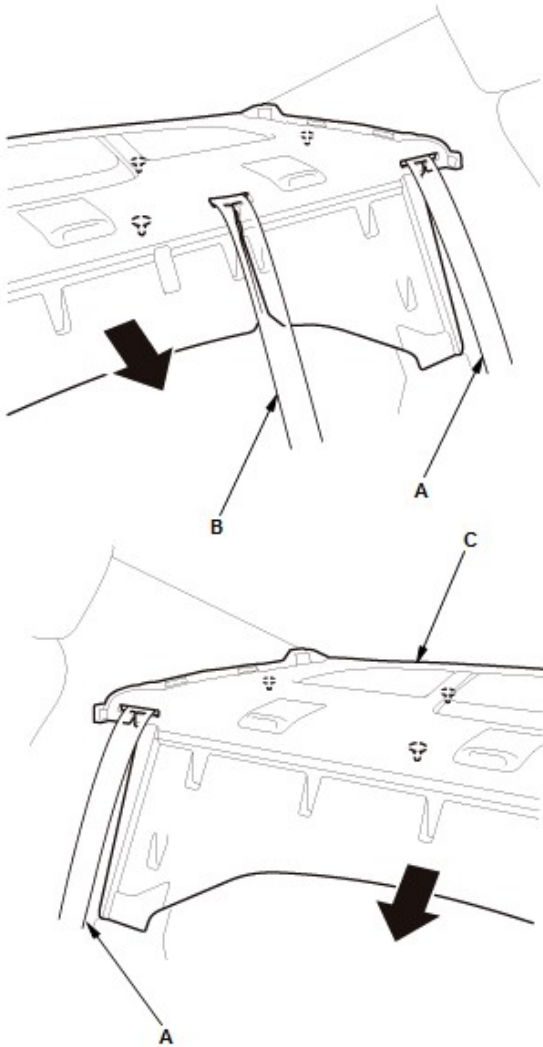
1. From the trunk compartment, detach the clips (A).



2. Release the hooks (A).



3. Pull out both rear seat belts (A) and the rear center seat belt (B) through the slits in the rear shelf trim (C), then remove the rear shelf trim.

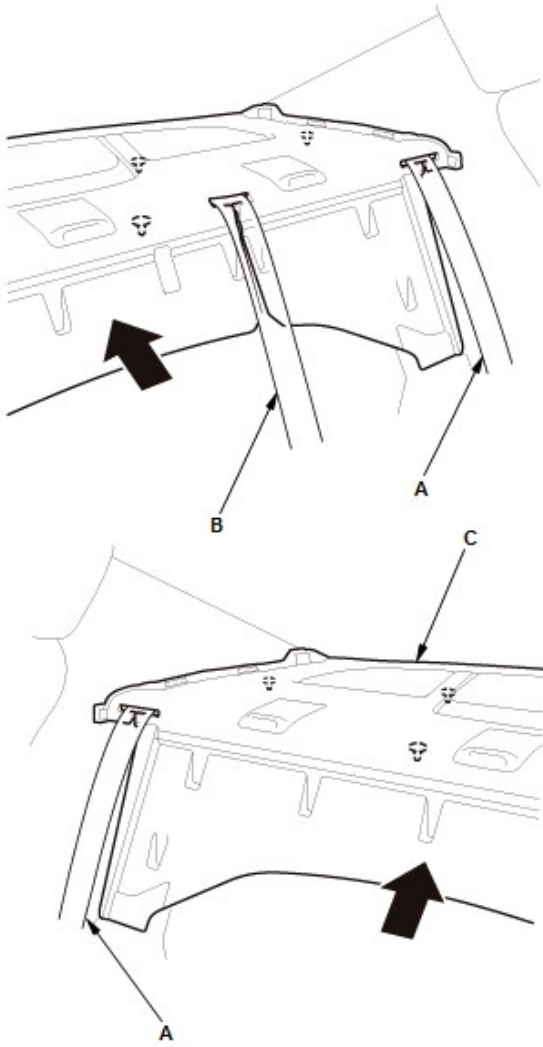


Installation

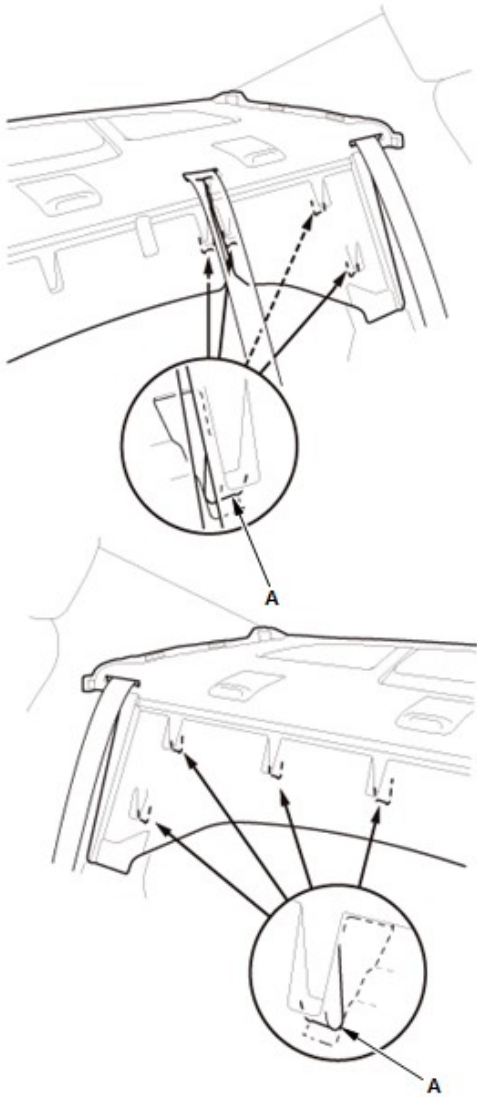
SRS components are located in this area. Review the [SRS component locations](#) and the [precautions and procedures](#) before doing repairs or service.

1. Rear Shelf Trim - Install

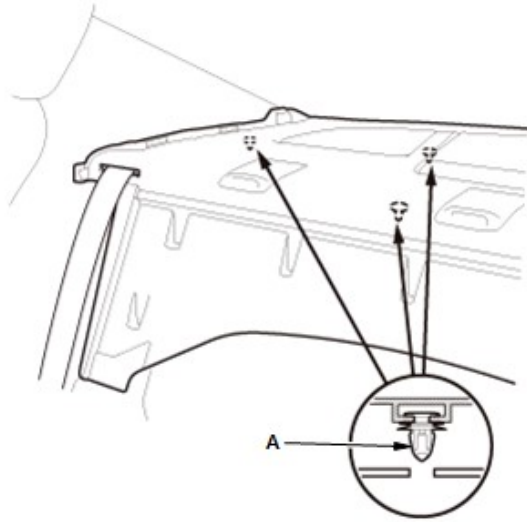
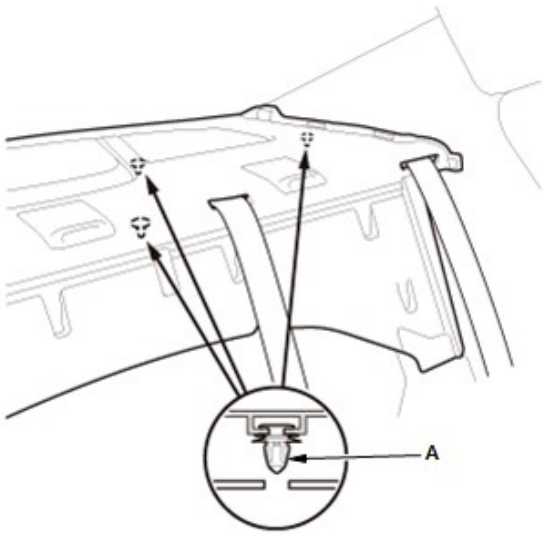
1. Slip the rear seat belts (A) and the rear center seat belt (B) through the slits in the rear shelf trim (C).



2. Install the hooks (A).



3. Install the clips (A).



2. Both C-Pillar Trims - Install

1. [Install both C-pillar trims.](#)