

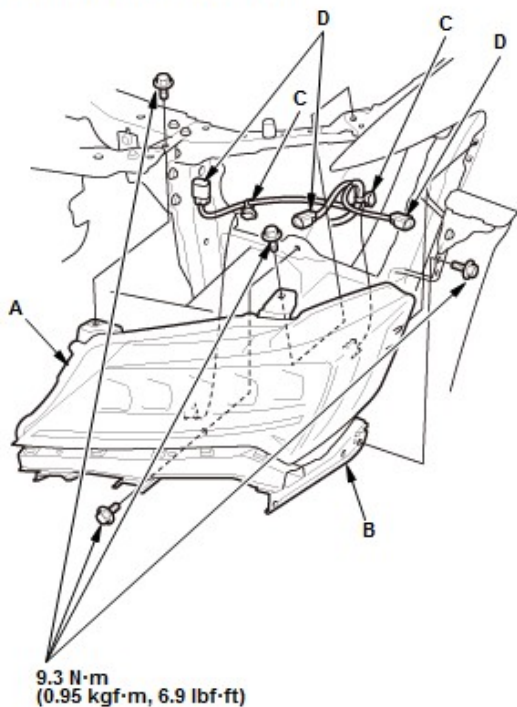
Headlight Removal and Installation

Removal/Installation

1. Front Bumper - Remove

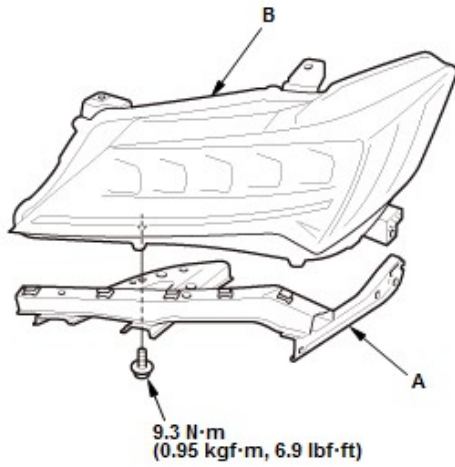
2. Headlight - Remove

Headlight (Low Beam): LED
Headlight (High Beam): LED
Front Turn Signal Light: LED
Front Parking Light: LED
Daytime Running Light: LED
Front Side Marker Light: 3 CP



1. Remove the headlight (A) with the corner upper beam (B) as an assembly.
2. Remove the harness clips (C).
3. Disconnect these connectors (D):
 - Front turn signal/front parking/daytime running light connector
 - Front side marker light connector
 - LED control unit connector

4. Remove the corner upper beam (A) from the headlight (B).



3. All Removed Parts - Install

1. Install the parts in the reverse order of removal.

4. Headlight - Adjust