

Front Bumper Removal and Installation

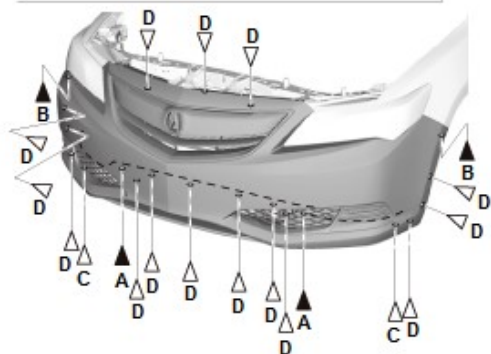
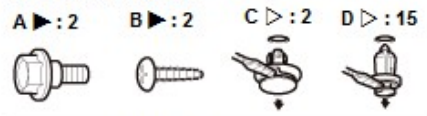
Removal

1. Front Grille Cover - Remove

1. [Remove the front grille cover.](#)

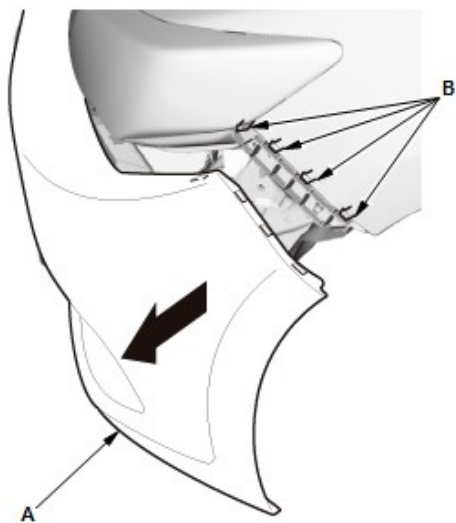
2. Front Bumper - Remove

Fastener Locations

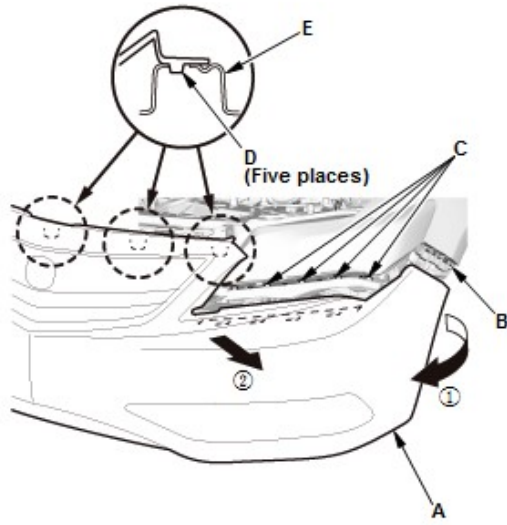


1. Remove the bolts (A), the screws (B), and the clips (C, D).

2. Pull out the front bumper (A) at the wheel arch area to release it from the hooks (B) on the side spacer.



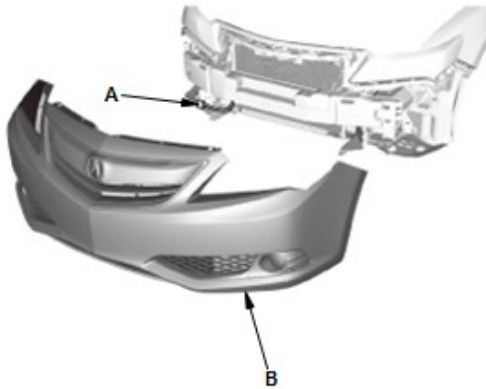
3. With the help of an assistant, while pulling the front bumper (A) away from the side spacer (B), release the bumper from the hooks (C) on the upper beam.



4. Release the pins (D) (five places) of the front bumper from the center upper beam (E).

NOTE: Take care not to scratch the headlight.

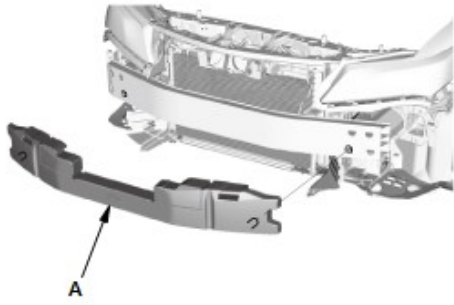
5. With the help of an assistant, disconnect the fog light subharness connector (A).



6. Remove the front bumper (B).

3. Front Bumper Absorber - Remove

1. Remove the front bumper absorber (A).



Installation

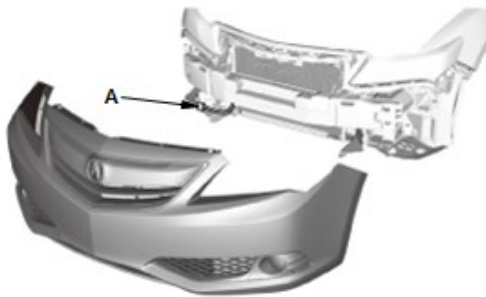
1. Front Bumper Absorber - Install

1. Install the front bumper absorber (A).



2. Front Bumper - Install

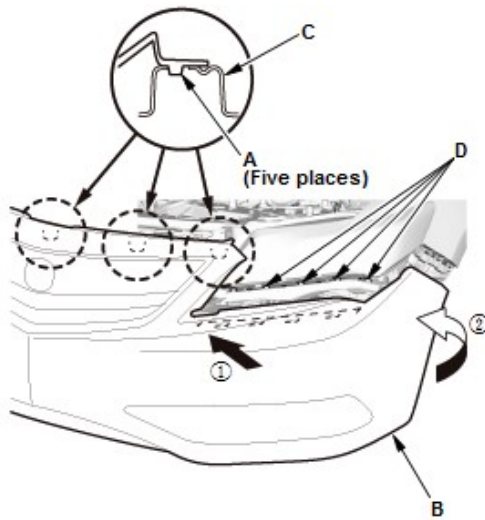
1. With the help of an assistant, connect the fog light subharness connector (A).



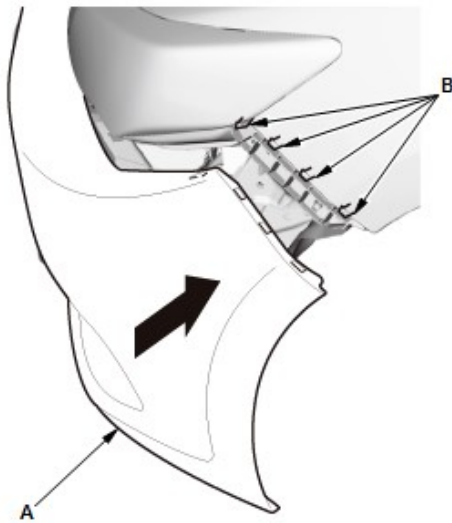
2. Install the pins (A) (five places) of the front bumper (B) to the center upper beam (C).

NOTE: Take care not to scratch the headlight.

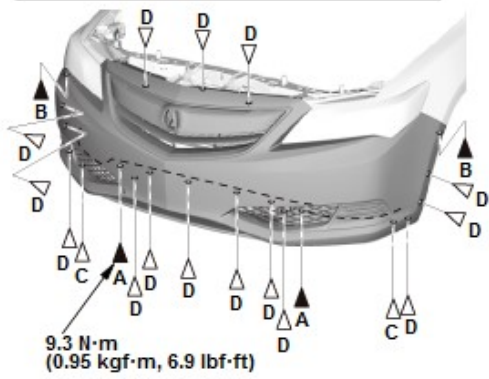
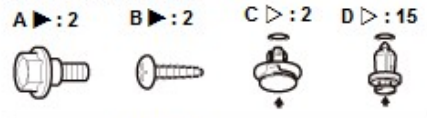
3. With the help of an assistant, install the front bumper to the hooks (D) on the upper beam.



4. Install the front bumper (A) to the hooks (B) on the side spacer.



Fastener Locations



3. Front Grille Cover - Install

5. Install the bolts (A), the screws (B), and the clips (C, D).

1. [Install the front grille cover.](#)