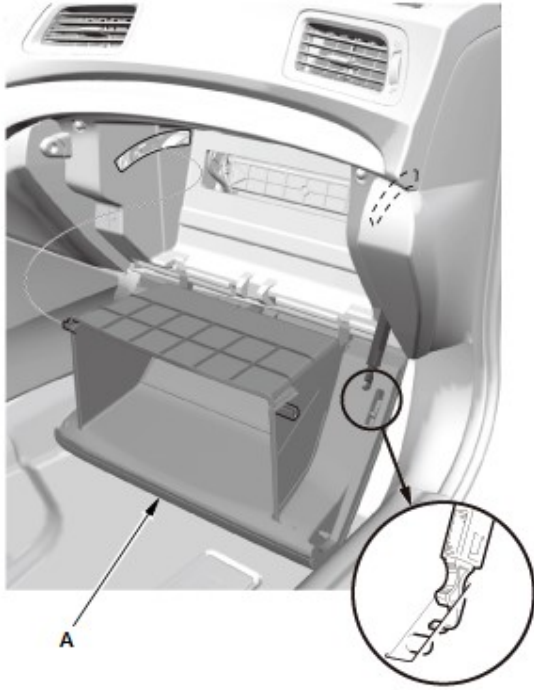


Dust and Pollen Filter Removal and Installation

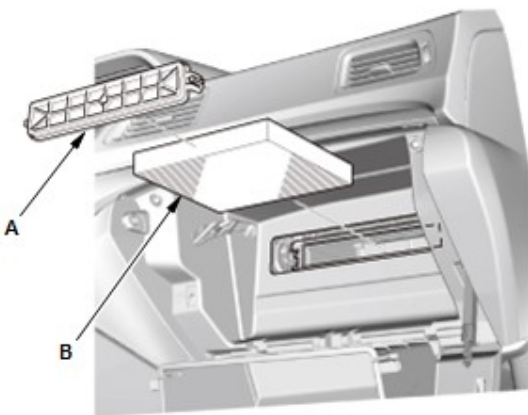
Removal

1. Glove Box - Lower



1. Press the engine start/stop button to select the OFF mode.
2. Lower the glove box (A).

2. Dust and Pollen Filter - Remove

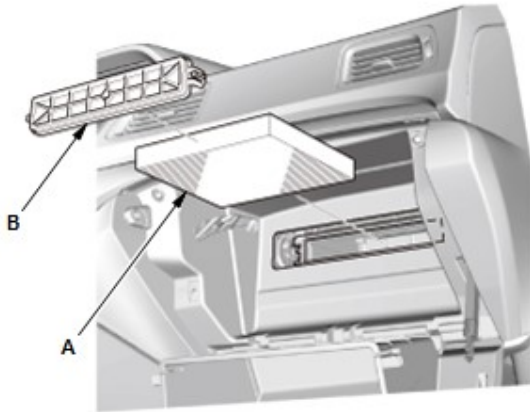


1. Remove the lid (A).
2. Pull out the dust and pollen filter (B).

Installation

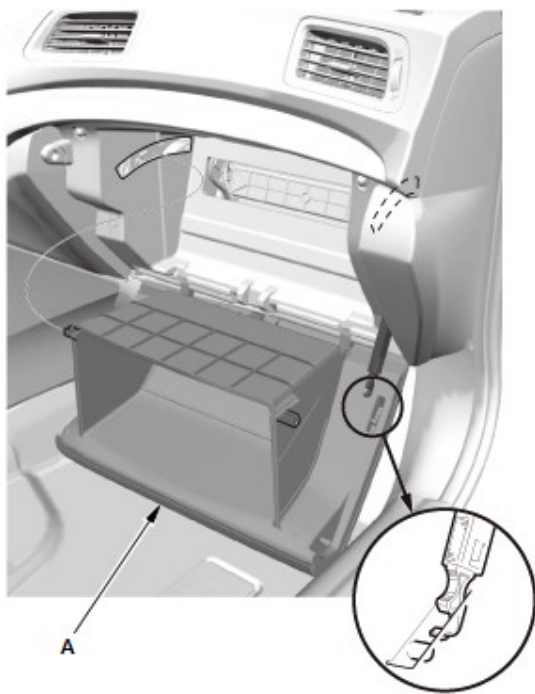
1. Dust and Pollen Filter - Install

NOTE: Make sure there is no air leaking out of the blower unit.



1. Install the dust and pollen filter (A).
2. Install the lid (B).

2. Glove Box - Install



1. Install the glove box (A).

3. Maintenance Minder - Reset (With Maintenance Minder System)

1. If the Maintenance Minder required to replace the dust and pollen filter, [reset the Maintenance Minder with the gauge](#). If the Maintenance Minder did not require to replace the dust and pollen filter, [reset the Maintenance Minder with the HDS](#).