

## Climate Control Unit Removal and Installation

### Removal

#### 1. Driver's Dashboard Lower Cover - Remove

1. [Remove the driver's dashboard lower cover.](#)

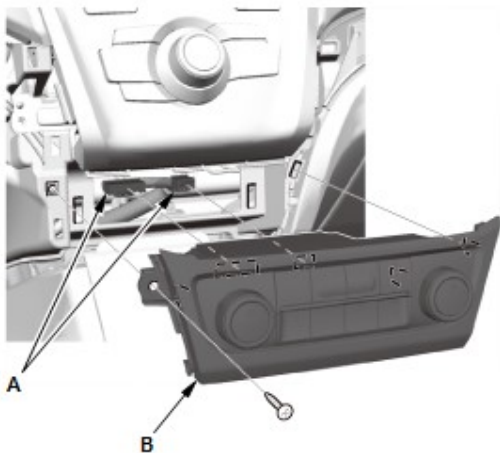
#### 2. Climate Control Unit - Remove



1. Pull the climate control unit (A).
2. Disconnect the climate control unit connectors (B).

### Installation

#### 1. Climate Control Unit - Install



1. Connect the climate control unit connectors (A).
2. Install the climate control unit (B).
3. Run the self-diagnostic function to confirm that there are no problems in the system.

## 2. Driver's Dashboard Lower Cover - Install

1. [Install the driver's dashboard lower cover.](#)