

Audio Unit Removal and Installation

Removal/Installation

NOTE:

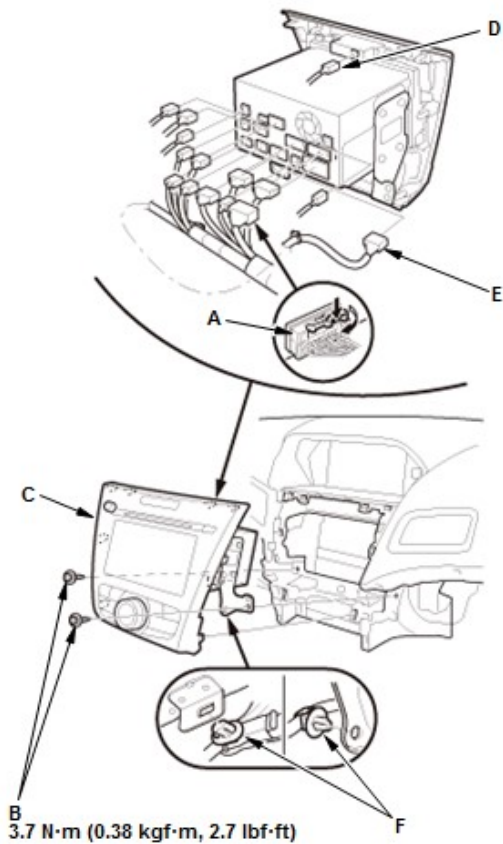
- When working on electronic components, make sure the work area is clean and dust free.
- Make sure your hands are clean and free of oils and grease.
- Eject the disc before disconnecting the audio unit to prevent damaging the CD player's load mechanism.
- If you are replacing the audio unit, write down the audio presets (if possible), and enter them into the new audio unit.

1. Driver's Inner Dashboard Trim - Remove

2. Passenger's Dashboard Trim Panel - Remove

3. Climate Control Unit - Remove

4. Audio Unit Assembly - Remove

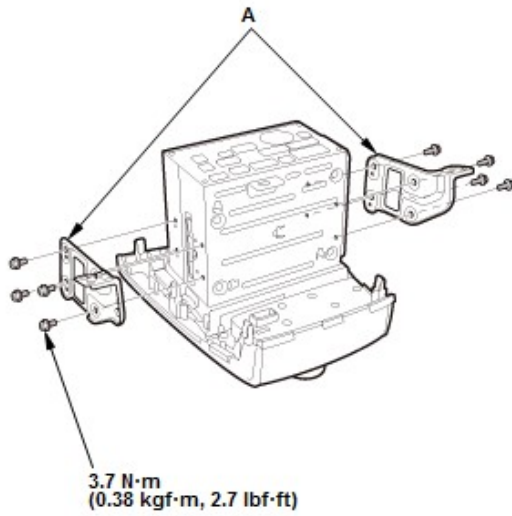


1. Remove the bolts (B).
2. Pull out the audio unit assembly (C).
3. Disconnect the hazard warning switch connector (D).
4. Disconnect the center switch panel/interface dial connector (E).
5. Disconnect the audio unit connectors.

NOTE: There is a lever lock on audio unit connector A.

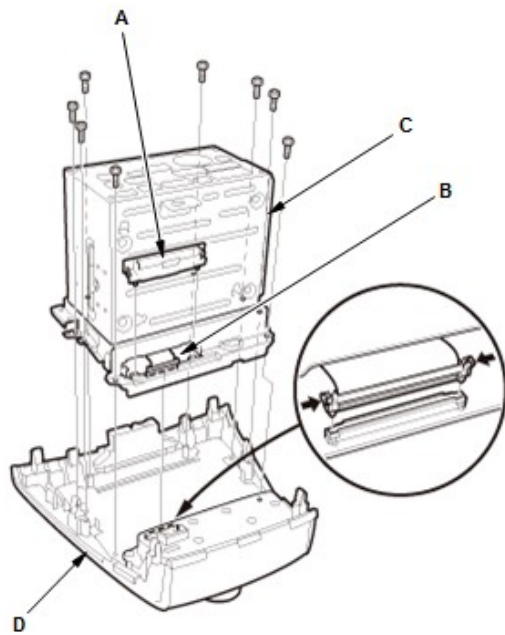
6. Remove the harness clips (F), and remove the audio unit.

7. Remove the brackets (A).



5. Hazard Warning Switch - Remove

6. ODMD^(TM) Panel - Remove



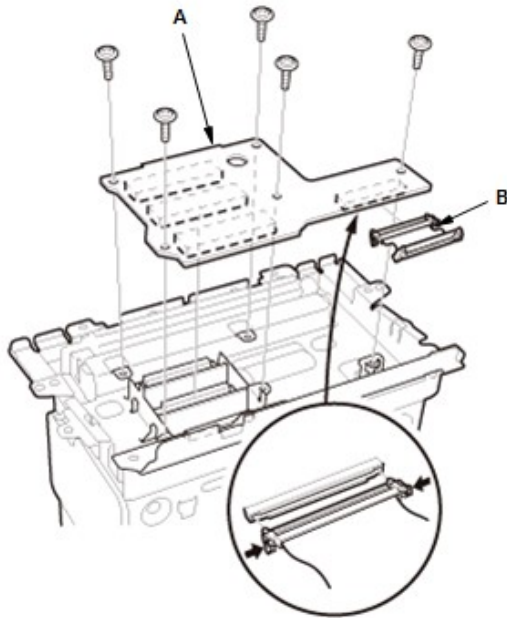
NOTE:

- Do not touch the circuit board(s) with your bare hands.
- Discharge static electricity from your body before and during the work.
- NOTE: Do not touch the terminal connector of the flat plate cable with your bare hands (If you have touched it, wipe it off thoroughly).

1. Remove the FPC cover (A).
2. Disconnect the connector (B).
3. Remove the audio unit (C) from the ODMD^(TM) panel (D).

7. Center Switch Panel/Interface Dial - Remove

8. FPC - Remove



NOTE:

- Do not touch the circuit board(s) with your bare hands.
- Discharge static electricity from your body before and during the work.
- NOTE: Do not touch the terminal connector of the flat plate cable with your bare hands (If you have touched it, wipe it off thoroughly).

1. Remove the circuit board (A).
2. Remove the FPC (B).

9. All Removed Parts - Install

1. Install the audio unit in the reverse order of removal.

NOTE: Make sure all the connectors are secure.