

Front Grille Removal and Installation

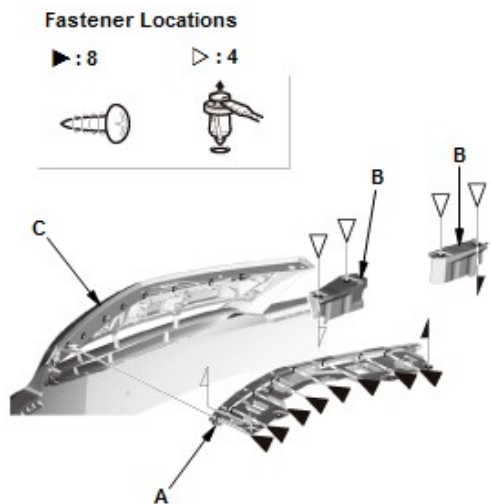
Removal

1. Front Bumper - Remove

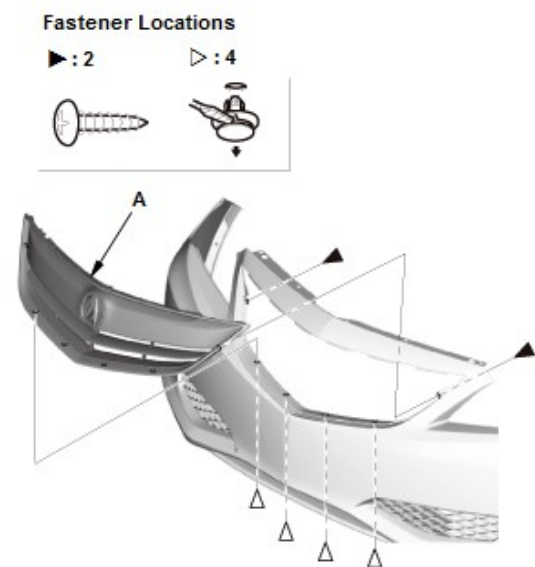
1. [Remove the front bumper.](#)

2. Front Grille - Remove

1. Remove the front grille back plate (A) and the front bumper upper ducts (B) from the front grille (C).

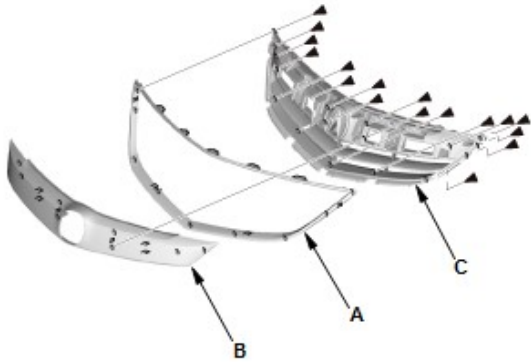


-
2. Remove the front grille (A).



Fastener Locations

▶ : 17



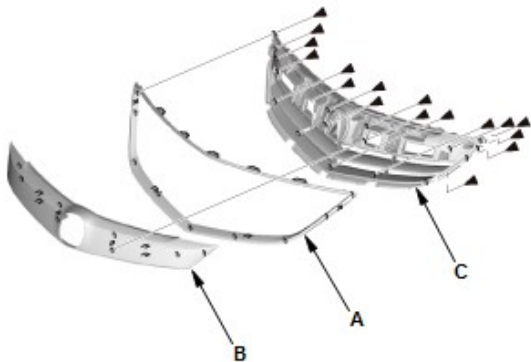
3. Remove the front grille molding (A) and the front grille upper molding (B) from the front grille base (C).

Installation

1. Front Grille - Install

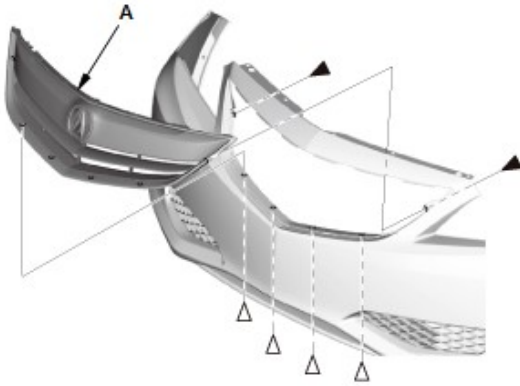
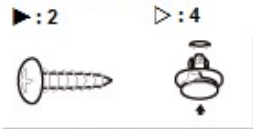
Fastener Locations

▶ : 17



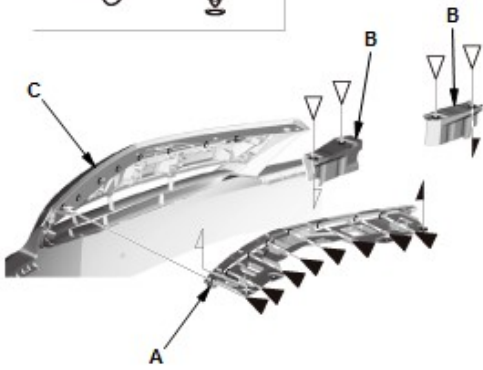
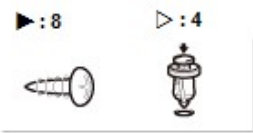
1. Install the front grille molding (A) and the front grille upper molding (B) to the front grille base (C).
-

Fastener Locations



2. Install the front grille (A).

Fastener Locations



3. Install the front grille back plate (A) and the front bumper upper ducts (B) to the front grille (C).

2. Front Bumper - Install

1. [Install the front bumper.](#)