

ANC/Active Sound Control Microphone Removal and Installation

Removal

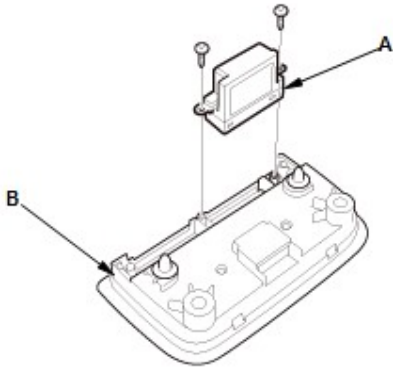
NOTE: The ANC/active sound control microphone, the HFL-ANC/active sound control microphone, and the HFL-navigation-ANC/active sound control microphone are the same parts.

1. Roof Console - Remove

1. [Remove the roof console.](#)

2. ANC/Active Sound Control Microphone - Remove

1. Remove the ANC/active sound control microphone (A) from the roof console (B).

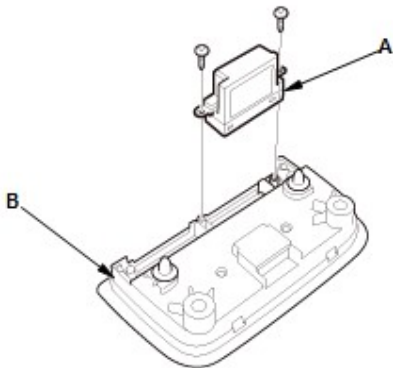


Installation

NOTE: The ANC/active sound control microphone, the HFL-ANC/active sound control microphone, and the HFL-navigation-ANC/active sound control microphone are the same parts.

1. ANC/Active Sound Control Microphone - Install

1. Install the ANC/active sound control microphone (A) to the roof console (B).



2. Roof Console - Install

1. [Install the roof console.](#)