

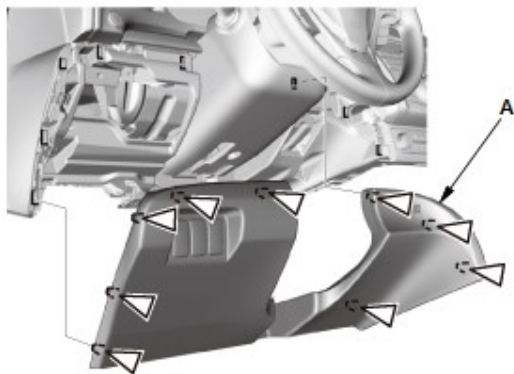
Driver's Dashboard Lower Cover Removal and Installation

Removal

1. Driver's Dashboard Lower Cover - Remove

Fastener Locations

▽ : 9



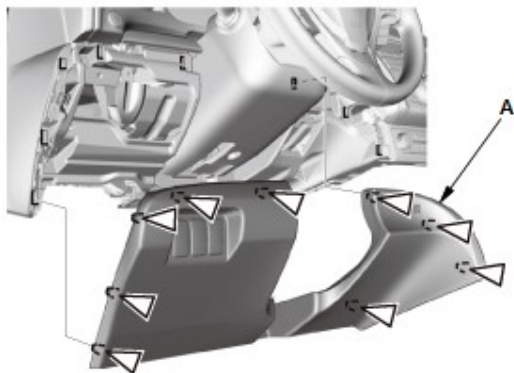
1. Remove the driver's dashboard lower cover (A). To avoid whitening the dashboard cover at its clip bosses, start by gently and evenly pulling out on the lower edge of the cover to release its lower clips, then work your way up the cover to release its middle and top clips.

Installation

1. Driver's Dashboard Lower Cover - Install

Fastener Locations

▽ : 9



1. Install the driver's dashboard lower cover (A).