



INSTALLATION INSTRUCTIONS

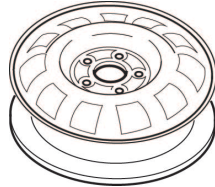
Accessory
SPARE TIRE KIT
 06421-TGV-A01 (18")
 06421-TGV-A11 (19")
 06421-TGZ-A00 (20")

Application
2021 TLX

Publications No.
VERSION 1
 Issue Date
JUL 2021

PARTS LIST

Spare tire rim



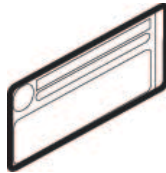
Valve stem



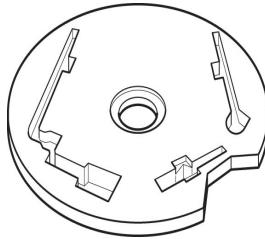
Spare tire caution label



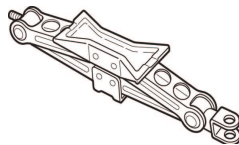
Tire and loading information label



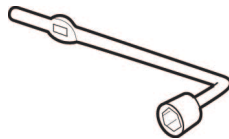
Tool box spacer



Jack



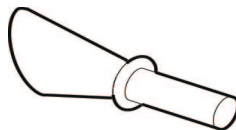
Wheel nut wrench/Jack handle



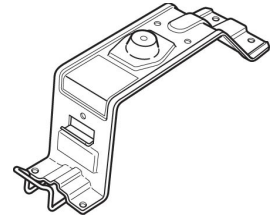
Extension bar



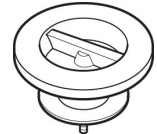
Emergency Nozzle



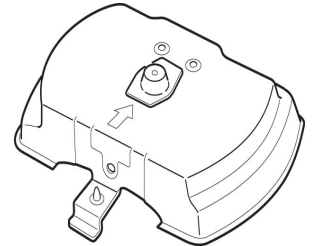
Spare Tire Bracket



Spare Tire Anchor



Battery Cover



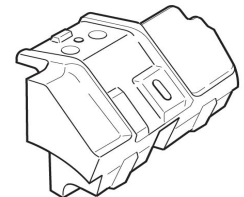
Bumper Clip (2)



Battery Label



Battery Stopper



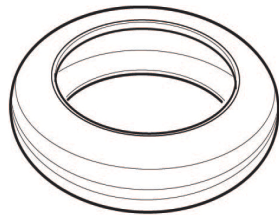
Battery Clip (2)



Tire Bag



Spare Tire (sold separately)



TOOLS AND SUPPLIES REQUIRED

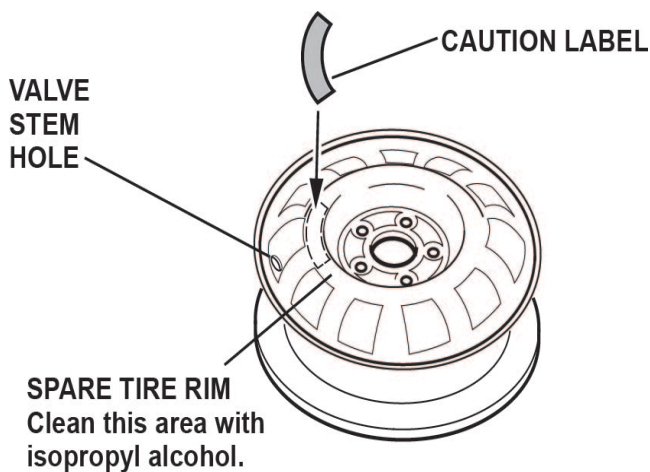
Isopropyl alcohol
Shop towel
Ratchet
12 mm socket

INSTALLATION

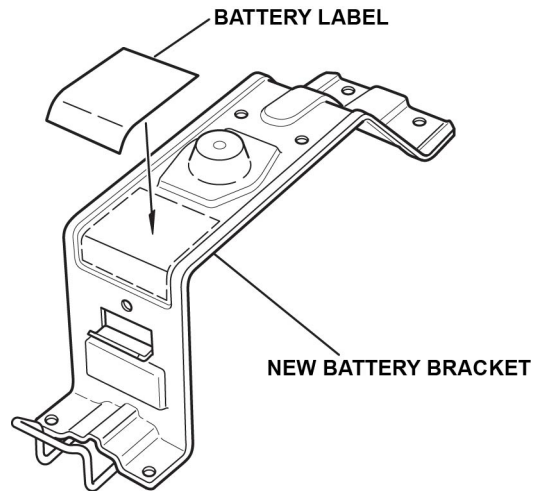
Client Information: The information in this installation instruction is intended for use only by skilled technicians who have the proper tools, equipment, and training to correctly and safely add equipment to your vehicle. These procedures should not be attempted by “do-it-yourselfers.”

NOTE:

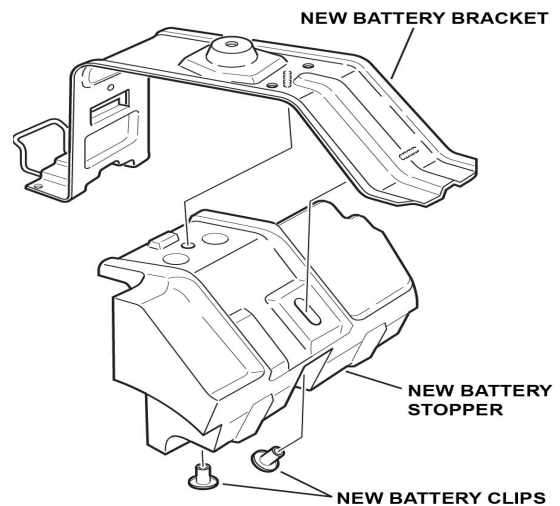
- Be careful not to scratch the interior trim when installing the spare tire kit.
 - Install the correct size tire.
 - Give all the removed parts to your client.
1. Using isopropyl alcohol on a shop towel, clean the spare tire rim in the area shown.



2. Remove the adhesive backing from the caution label, and attach the caution label to the spare tire rim in the area shown.
3. Using a tire changer, install the spare tire (sold separately) onto the spare tire rim according to the operation manual instructions. Inflate the spare tire to 60 psi (420 kPa).
4. Using isopropyl alcohol on a shop towel, clean the new battery bracket and attach the battery label in the area shown.

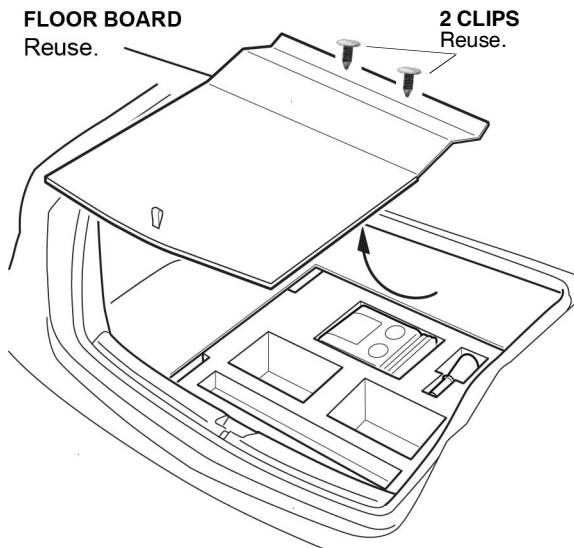


5. Attach the foam block to the battery bracket as shown.

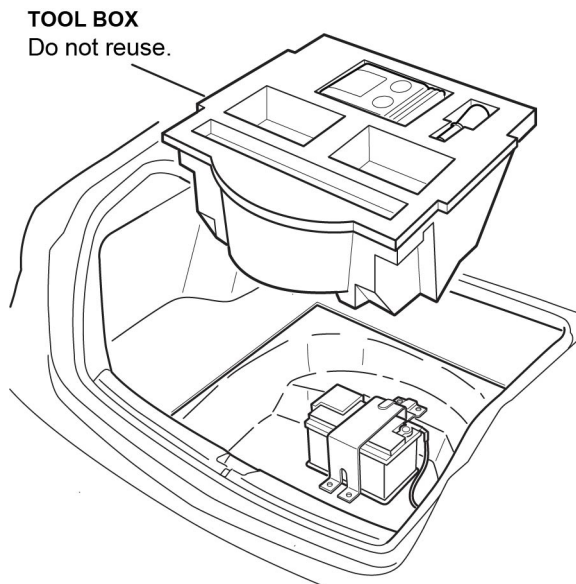


Installing the Spare Tire Kit

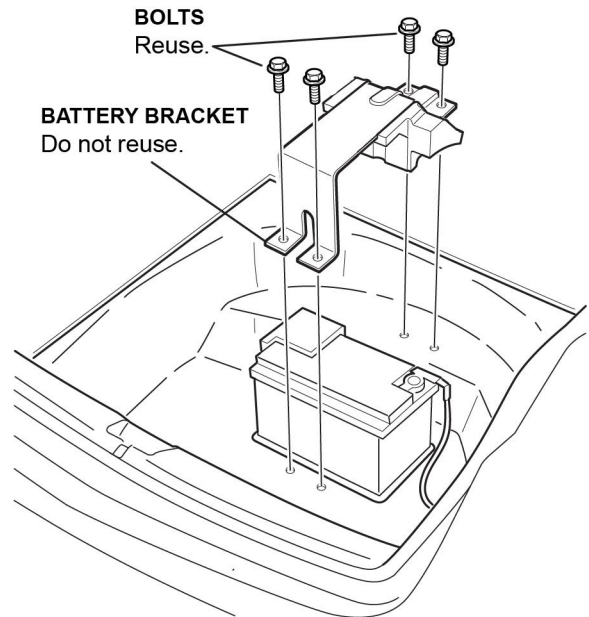
6. Remove the trunk floor cover and set it aside.



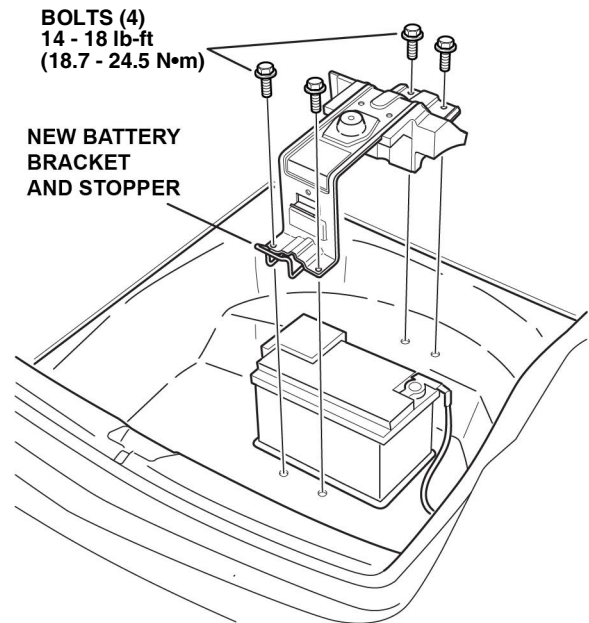
7. Remove the tool box and set it aside; it will not be reused.



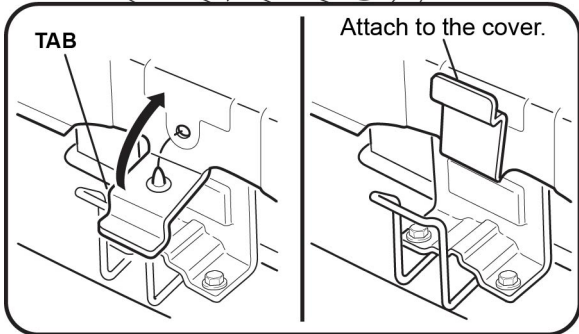
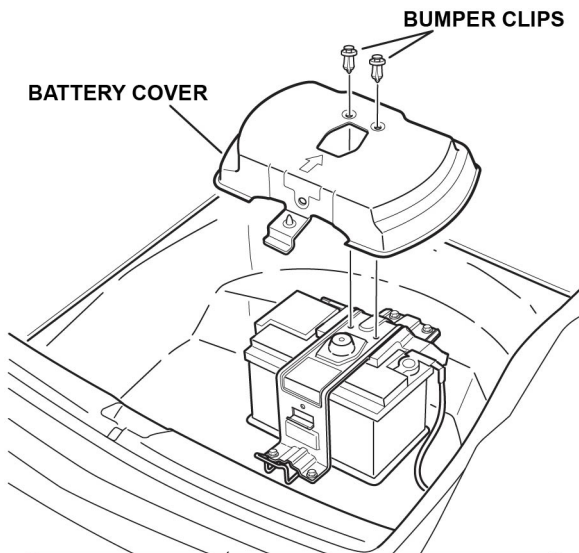
8. Remove the battery bracket and set it aside; it will not be reused.



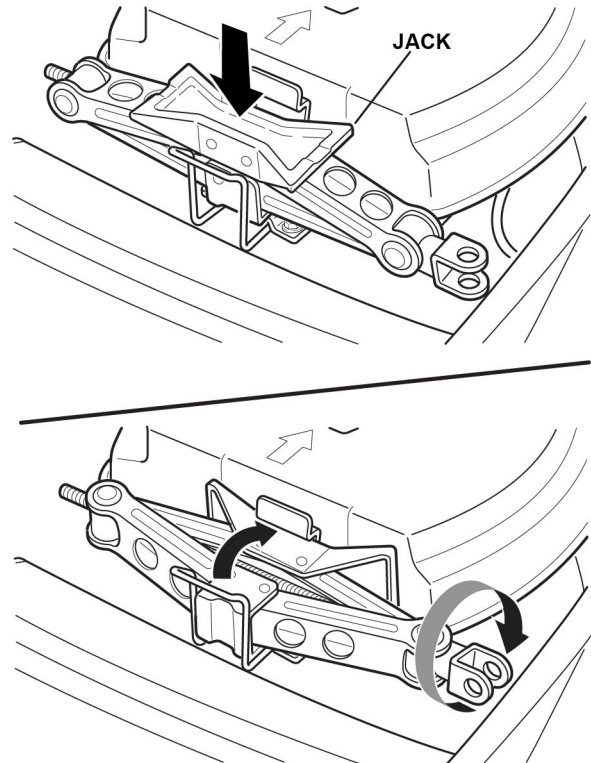
9. Install the new battery bracket reusing the four bolts removed.



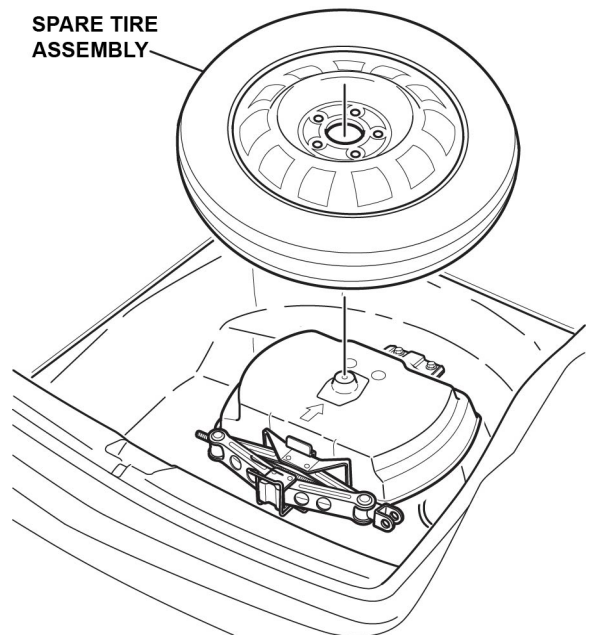
10. Install the battery cover to the battery with the arrow pointing to the front of the vehicle. Push the tab with the clip to secure the cover and install the two bumper clips.



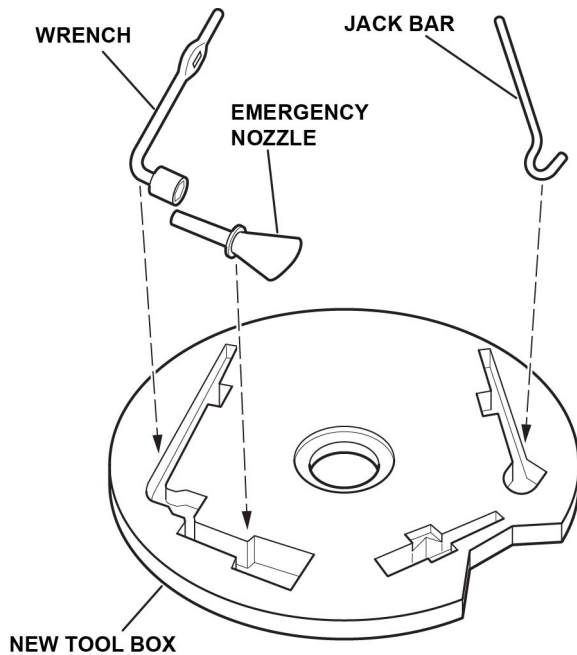
11. Install the jack to the battery bracket and expand the jack to hold it in place. Make sure the top of the jack is underneath the battery bracket.



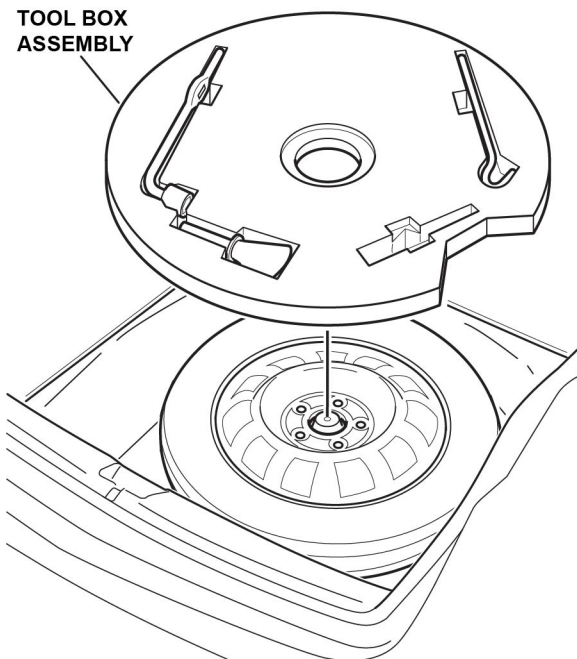
12. Place the spare wheel and tire over the battery cover.



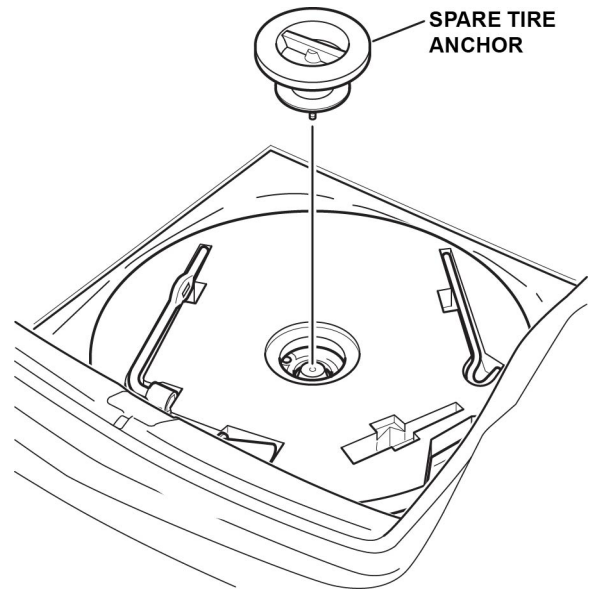
13. Place the tools on the new tool box.



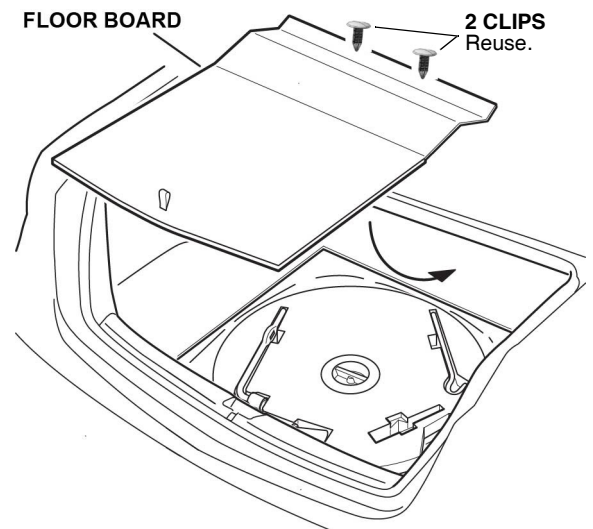
14. Install the tool box over the spare tire.



15. Install the spare tire anchor onto the tool box. Make sure the spare tire anchor shows **TEMPORARY TIRE** towards the handle. If it does not, release the two retaining tabs and flip the anchor to the correct orientation.



16. Install the trunk floor board.



- Using a clean shop towel and isopropyl alcohol, clean the existing TIRE AND LOADING INFORMATION label on the driver's doorjamb. Remove the adhesive backing from the new TIRE AND LOADING INFORMATION label and apply it over the existing label.

