

Power Mirror Retract Actuator Removal and Installation

Removal

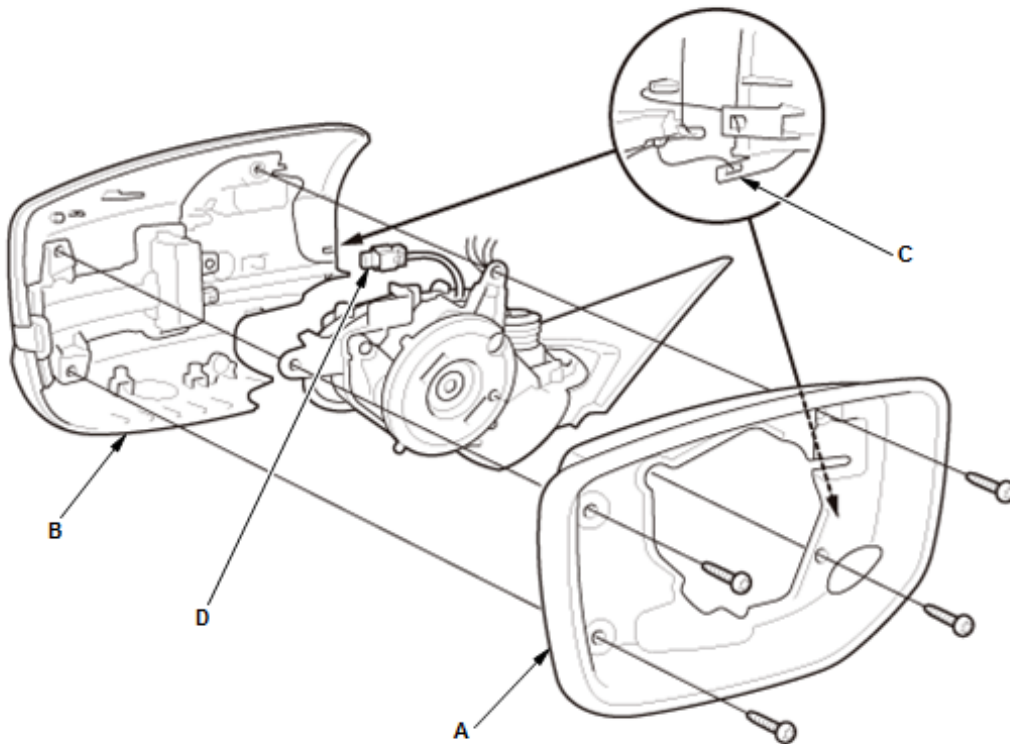
1. Mirror Holder - Remove

2. Mirror Outer Base Cap - Remove

3. Mirror Housing - Remove

1. Remove the visor (A) and the mirror housing (B).

NOTE: Take care not to damage the hook (C).

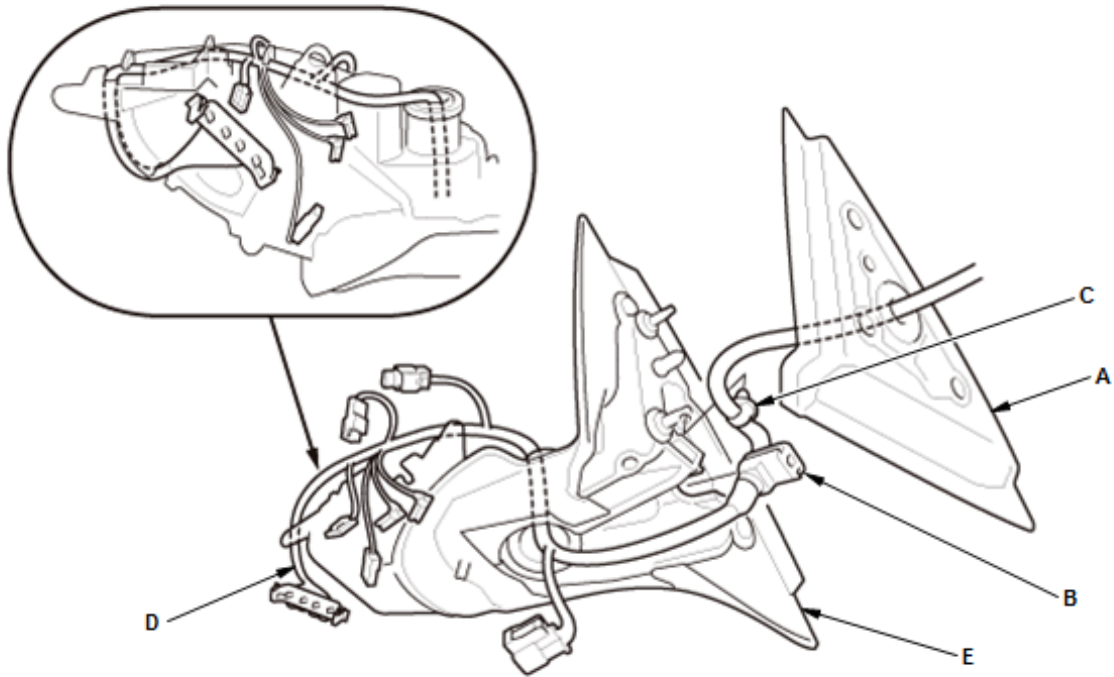


2. Disconnect the connector (D).

4. Power Mirror Actuator - Remove

5. Power Mirror Retract Actuator - Remove

1. Remove the gasket (A).

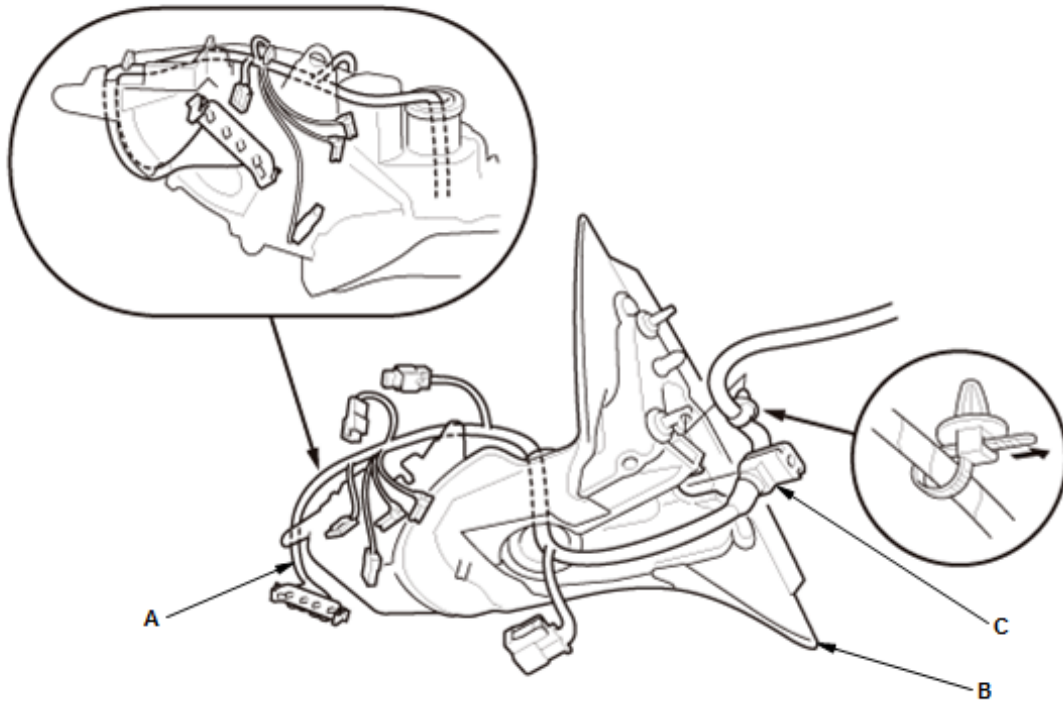


2. Remove the grommet (B) and the harness clip (C).
3. Pull out the harnesses (D) through the hole in the mirror sub assembly (E).

Installation

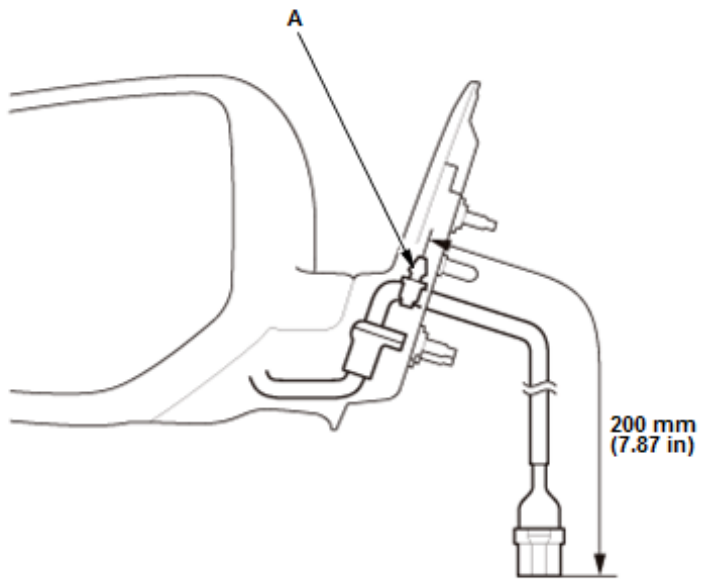
1. Power Mirror Retract Actuator - Install

1. Route the wire harness (A) through the hole in the mirror sub assembly (B).

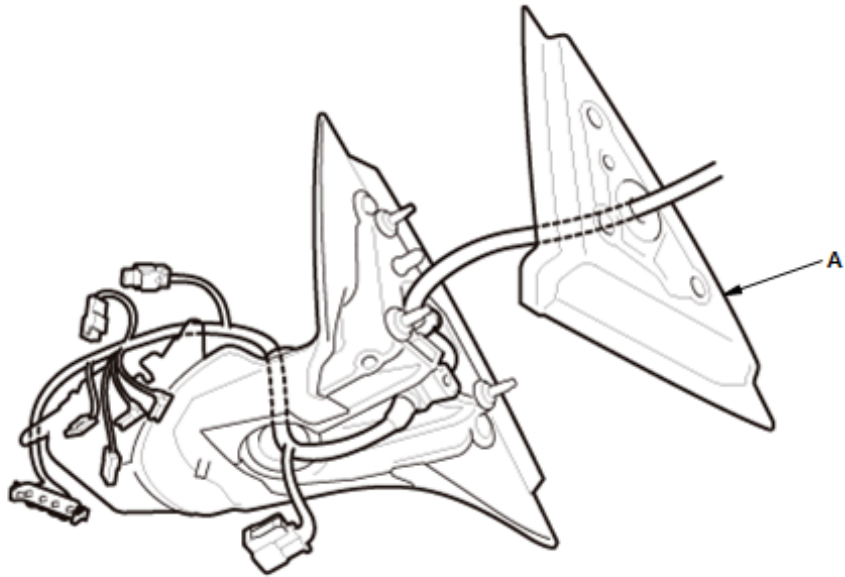


2. Install the grommet (C).

3. Install the harness clip (A).



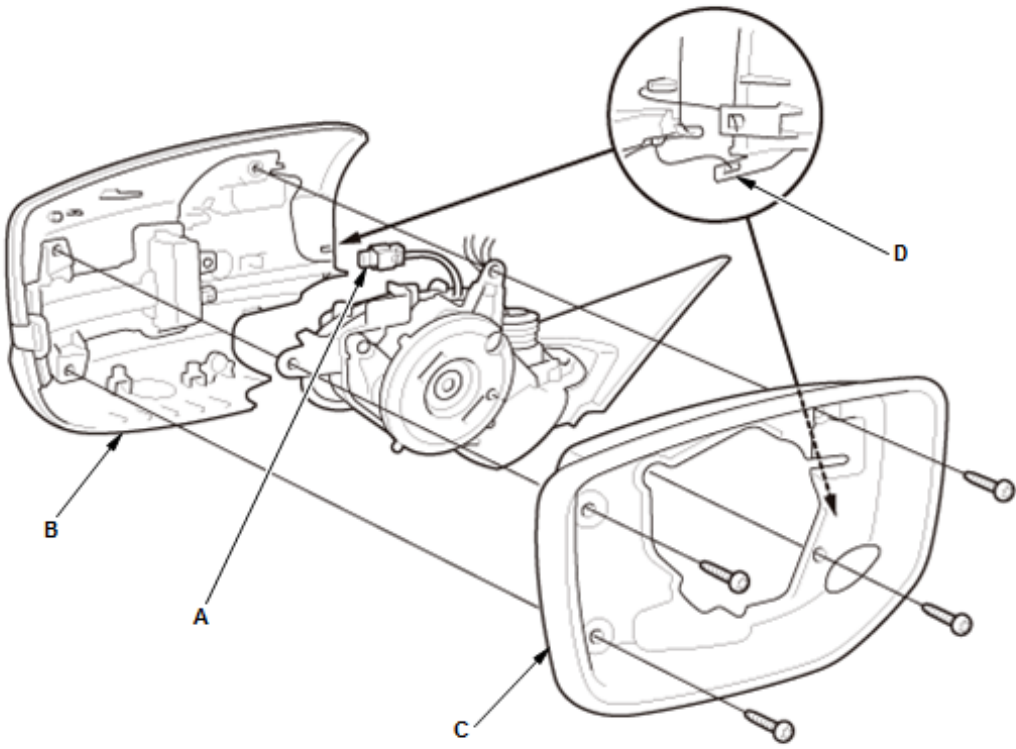
4. Install the gasket (A).



2. Power Mirror Actuator - Install

3. Mirror Housing - Install

1. Connect the connector (A).



2. Install the mirror housing (B) and the visor (C).

NOTE: Take care not to damage the hook (D).

4. Mirror Outer Base Cap - Install

5. Mirror Holder - Install