

## Power Mirror Removal and Installation

### Removal/Installation

#### 1. Front Door Sash Inner Trim - Remove

#### 2. Power Mirror - Remove

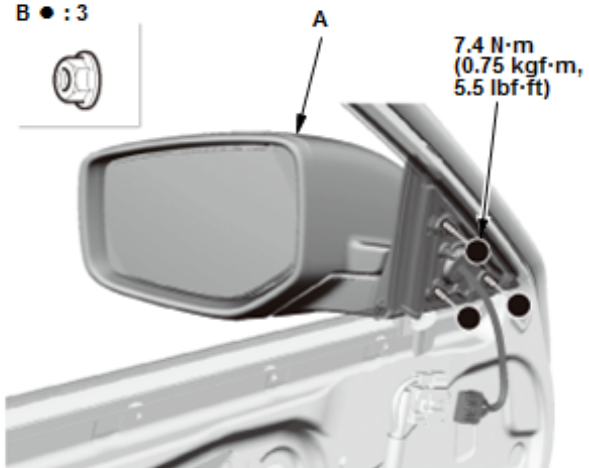
1. Disconnect the connector (A).



2. While holding the power mirror (A), remove the nuts (B).

#### Fastener Locations

B ● : 3



3. Remove the power mirror (A).



### 3. All Removed Parts - Install

1. Install the parts in the reverse order of removal.