

Fluid Locations



WASHER FLUID
(Black cap)

BRAKE FLUID*
(Black cap)

CLUTCH FLUID*
(Manual
Transmission only)
(Light gray cap)

ENGINE OIL DIPSTICK
(Orange loop)

**AUTOMATIC
TRANSMISSION
FLUID DIPSTICK**
(Yellow loop)

**ENGINE COOLANT
RESERVOIR**

ENGINE OIL FILL CAP

RADIATOR CAP*

*: Located under the cover

TOC

Maintenance

Engine Compartment Covers

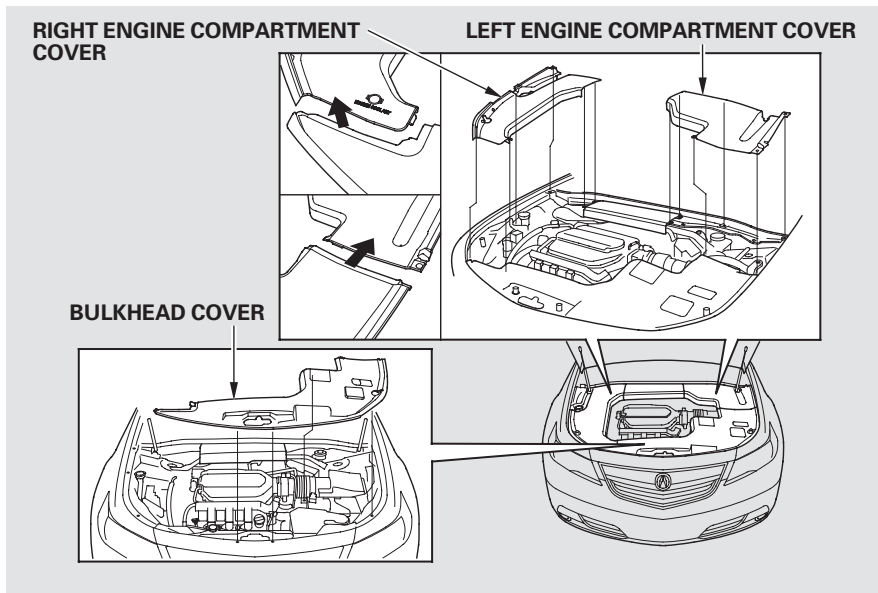


The component parts in the engine compartment are protected by several covers. You may need to remove the covers when you perform some simple maintenance work.

To remove the covers:

1. Remove the right and left engine compartment covers by sliding them apart.
2. Pull the bulkhead cover straight up to remove. When removing the cover, make sure to move the bulkhead cover slightly to the left so that the hood latch handle does not get in the way.

After replacing the right engine compartment cover, make sure the washer fluid cap is firmly in place.



When reinstalling the covers, make sure the pins and tabs are in their proper positions.

TOC

Maintenance

