



Rear Shelf Area Clicks, Taps, or Ticks

SYMPTOM

The rear shelf area clicks, taps, or ticks on one or both sides.

PROBABLE CAUSE

There is insufficient clearance between the metal body panels in the rear shelf area.

CORRECTIVE ACTION

Create a gap between the metal body panels.

REQUIRED MATERIALS

Motorcycle Chain Lube (commercially available)

WARRANTY CLAIM INFORMATION

The normal warranty applies.

Operation Number: 8230C9

Flat Rate Time: 1.0 hour (includes diagnosis)

Failed Part: 66500-TK4-A00ZZ

Defect Code: 07403

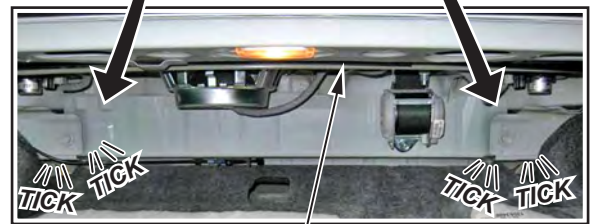
Symptom Code: 04201

Skill Level: Repair Technician

DIAGNOSIS

Test-drive the vehicle to confirm the location of the noise. The noise can be heard on any road condition.

Do you hear a clicking, tapping, or ticking noise from the rear shelf area?



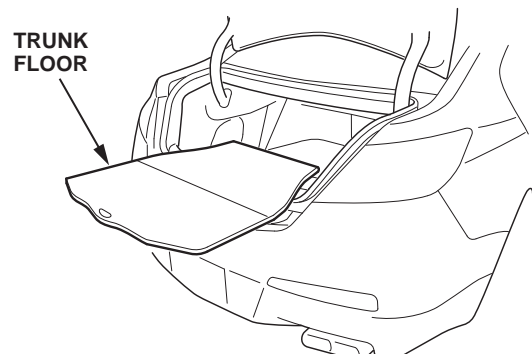
UNDERSIDE OF REAR TRAY

Yes – Go to REPAIR PROCEDURE.

No – This service bulletin does not apply. Continue with normal troubleshooting procedures.

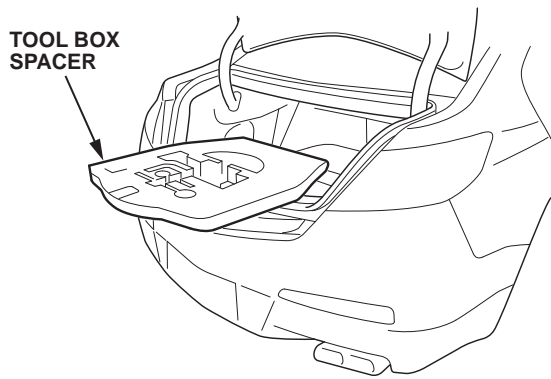
REPAIR PROCEDURE

1. Remove the trunk floor.

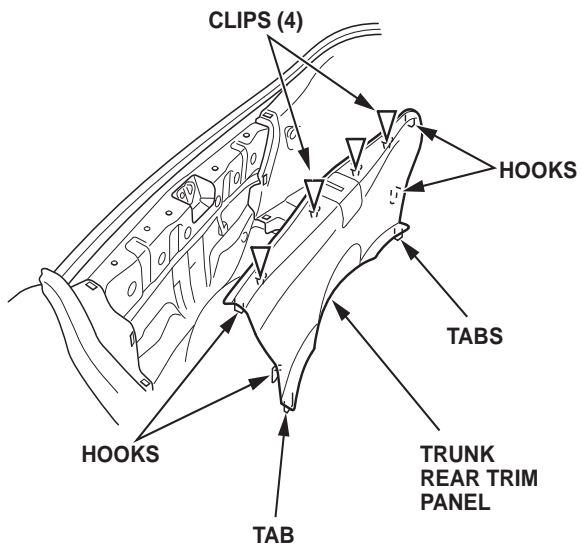


CUSTOMER INFORMATION: The information in this bulletin is intended for use only by skilled technicians who have the proper tools, equipment, and training to correctly and safely maintain your vehicle. These procedures should not be attempted by “do-it-yourselfers,” and you should not assume this bulletin applies to your vehicle, or that your vehicle has the condition described. To determine whether this information applies, contact an authorized Honda automobile dealer.

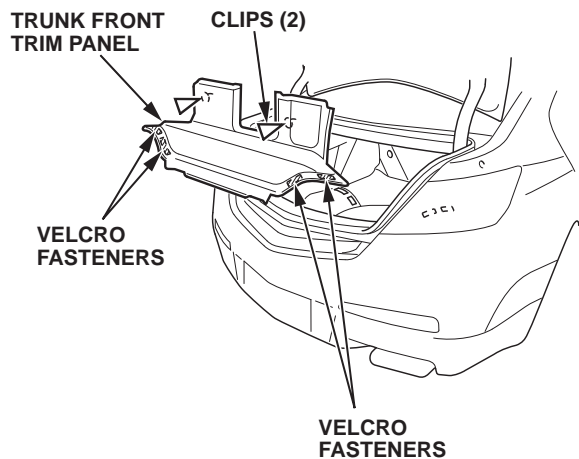
- Remove the tool box spacer.



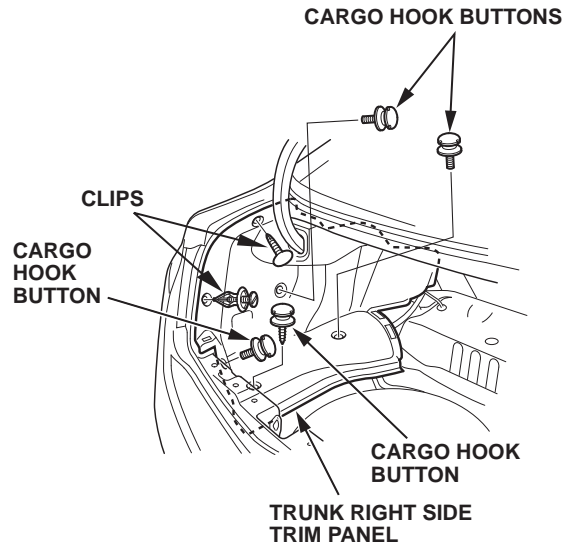
- Detach the clips, and release the hooks and the tabs by pulling up on the trunk rear trim panel, then remove the panel.



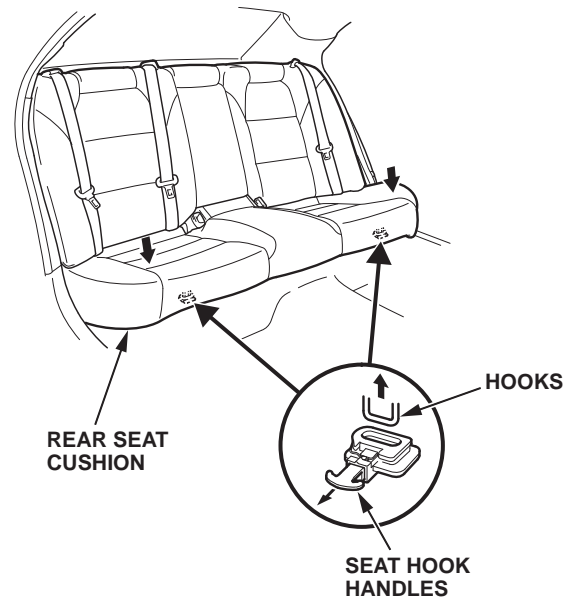
- Partially remove the trunk lid weatherstrip by pulling it off as needed.
- Detach the clips and release the Velcro fasteners, then remove the trunk front trim panel.



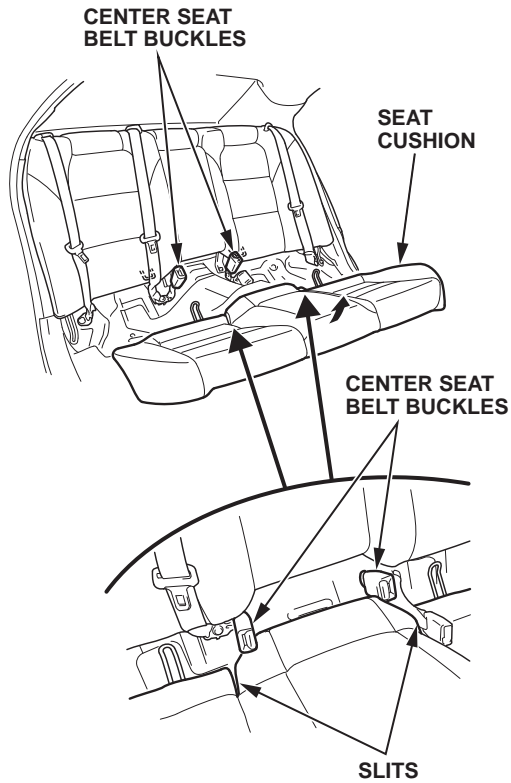
- Detach the clips and remove the cargo hook buttons, then remove both of the trunk side trim panels.



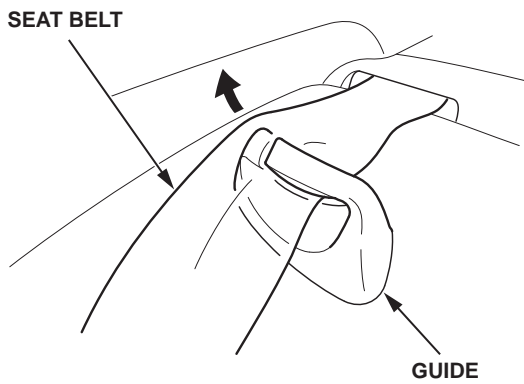
- While pushing down on the rear seat cushion, pull the seat hook handles to release the hooks.



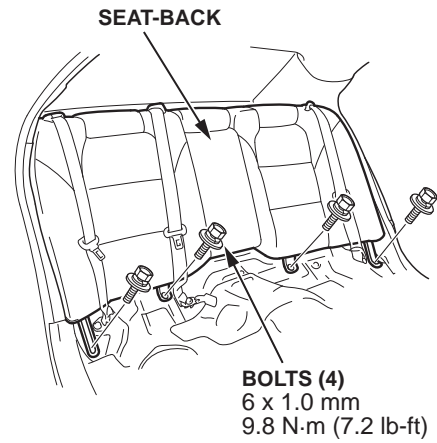
8. Remove the seat cushion, and release the center seat belt buckles from the slits.



9. Release the seat belts from their guides.



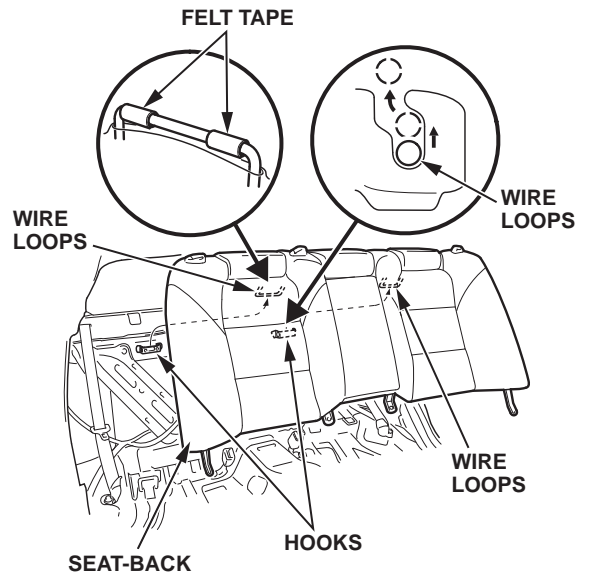
10. Remove the bolts from the base of the seat-back.



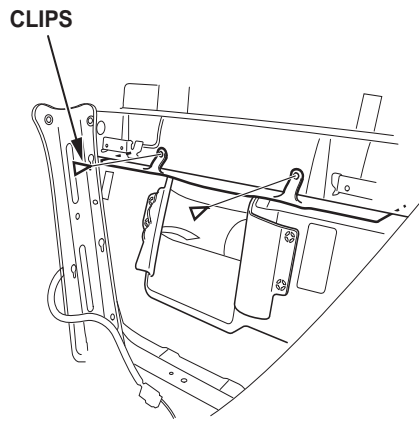
11. Lift up the bottom of the seat-back. Push on the seat-back while lifting it up to release the wire loops from the hooks on the body.

NOTE:

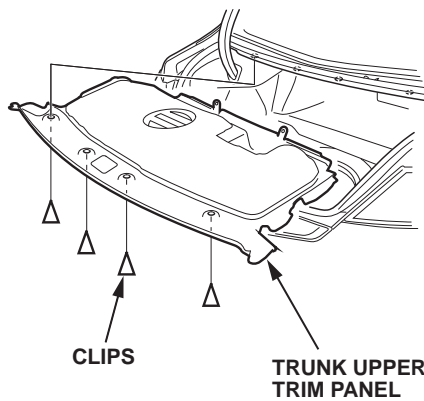
- Have an assistant help you when removing and installing the rear seat-back.
- Take care not to scratch the body or damage the seat covers.



12. Detach the clips.

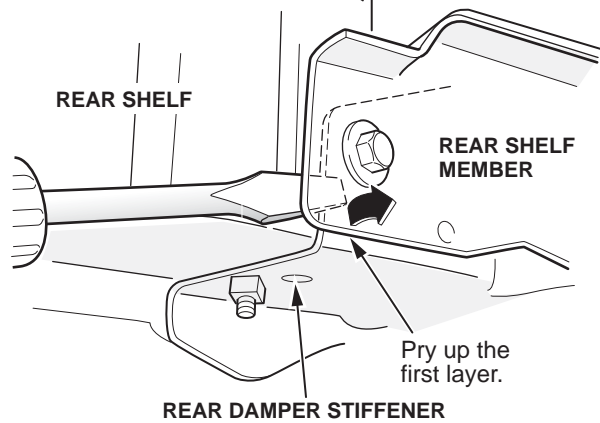


13. Lower the trunk upper trim panel to detach the clips, then remove the panel from the trunk compartment.

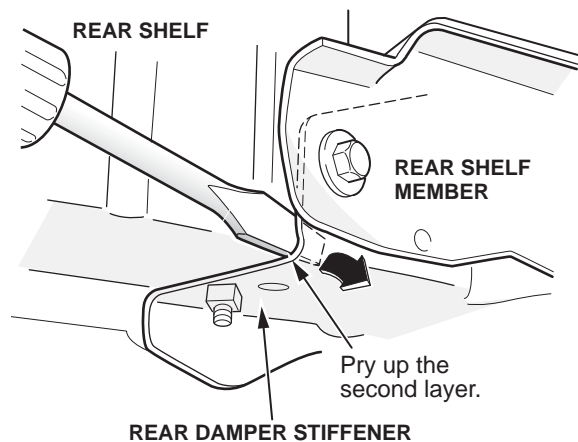


14. With the rear shelf bolt installed, place a flat tip screwdriver between the rear shelf member and the rear shelf metal panels. Create a gap to separate the panels. A hammer may be needed to get the screwdriver between the panels.

There are two layers of sheet metal to pry up.



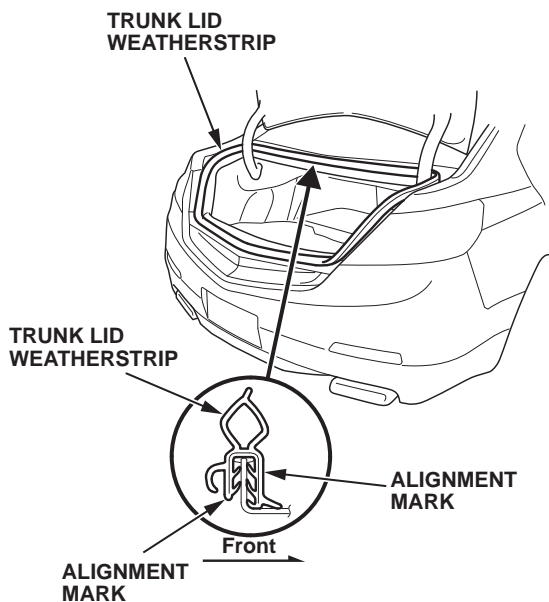
15. Place a flat tip screwdriver in between the rear damper stiffener and the rear shelf metal panels. Create a gap to separate the panels.



16. Spray motorcycle chain lube between the separated panels.

17. Test-drive the vehicle to confirm that the noise is gone before reinstalling the parts.
18. Reinstall the upper trim panel, then the two clips.
19. Reinstall the rear seat-back:
 - Replace any damaged felt tape on the wire loops.
 - Guide the belts over the front of the seat-back as you install it.
 - Make sure there are no twists or kinks in the seat belts before attaching the rear seat-back and the rear seat cushion.
 - Slip the seat belt buckles through the slits in the seat cushion as you install it.
20. Reinstall the trunk side trim panels.
21. Reinstall the front trim.
22. Reinstall the trunk lid weatherstrip.

NOTE: Locate the painted alignment mark on the trunk lid weatherstrip. Align the painted mark in the center of the trunk lid opening, and install the trunk lid weatherstrip all the way around in the direction shown. Make sure there are no wrinkles in the weatherstrip.



23. Reinstall the rear trim panel.
24. Reinstall the tool box spacer.
25. Reinstall the trunk floor.