



INSTALLATION INSTRUCTIONS

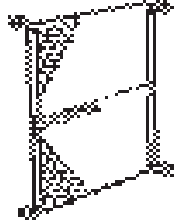
Accessory
CARGONET
P/N 08L96-TK4-200A

Application
2012 TL

Publications No.
BII 45409
Issue Date
MAR 2011

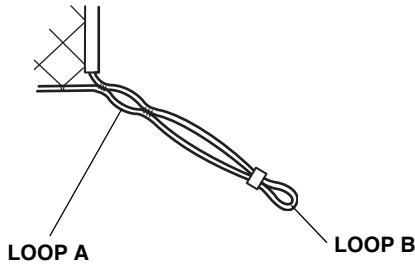
PARTS LIST

Cargo Net

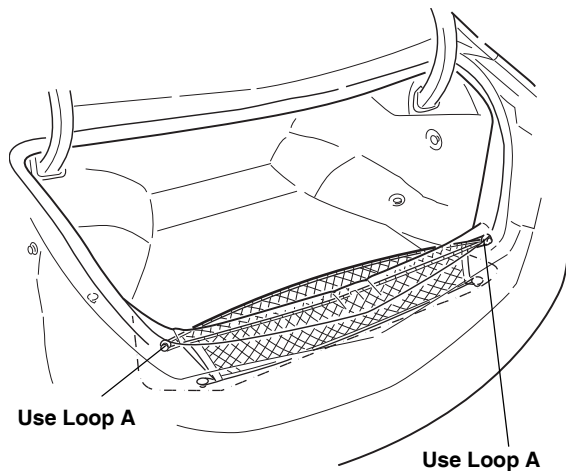


INSTALLATION

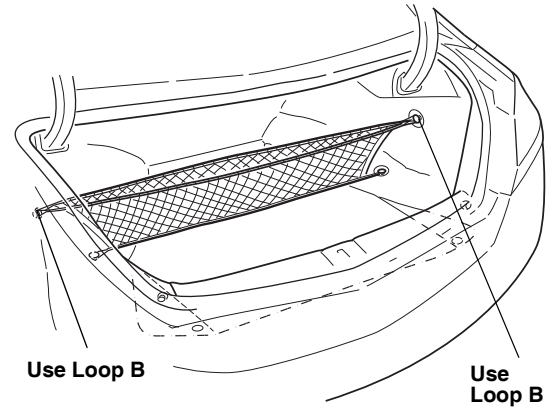
The cargo net can be installed in three positions. Identify the two loops before installing.



Rear Vertical Position:



Forward Vertical Position:



Horizontal Position:

