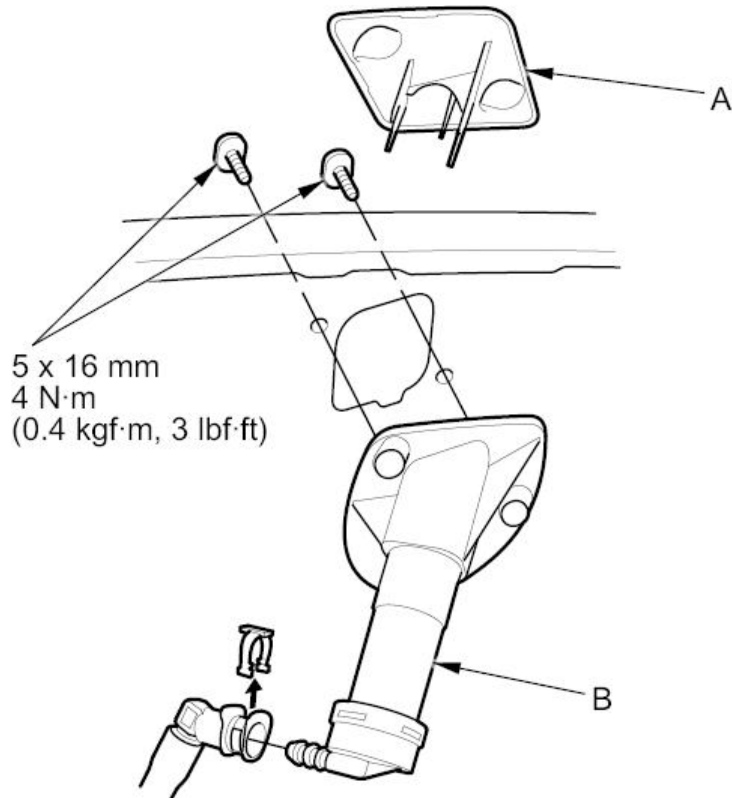


With headlight washer

1. [Remove the front bumper.](#)
2. Remove the cover (A), tube, mounting screws and headlight washer nozzles (B).



3. Install the nozzle in the reverse order of removal. Take care not to pinch the washer tube. Check the headlight washer operation.