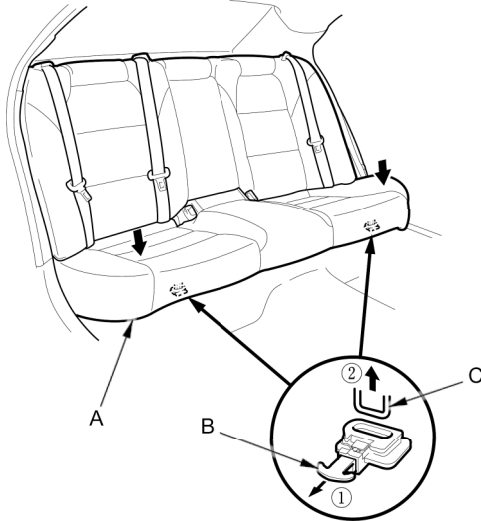


- Rear Seat Removal/Installation

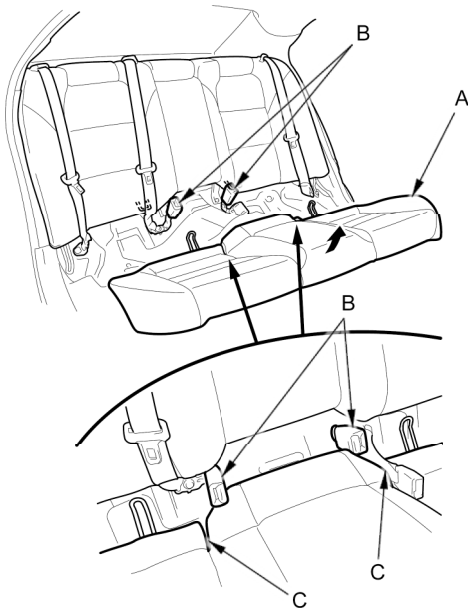
NOTE:

- Have an assistant help you when removing and installing the rear seat-back.
- Take care not to scratch the body or tear the seat covers.

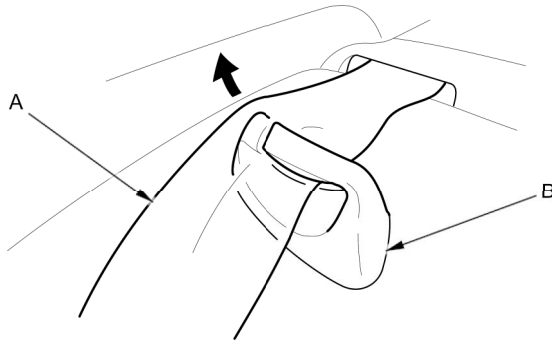
1. While pushing down on the rear seat cushion (A), pull the seat hook handles (B) to release the hooks (C).



2. Remove the seat cushion (A), and release the center seat belt buckles (B) from the slits (C).



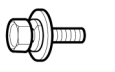
3. Release the seat belts (A) from their guides (B).



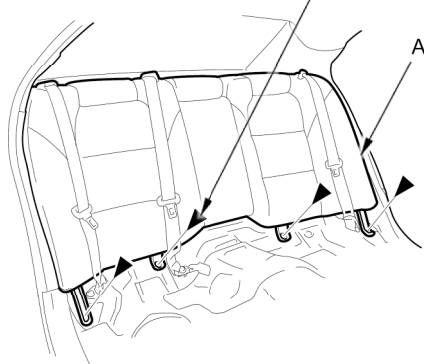
4. Remove the bolts from the base of the seat-back (A).

Fastener Locations

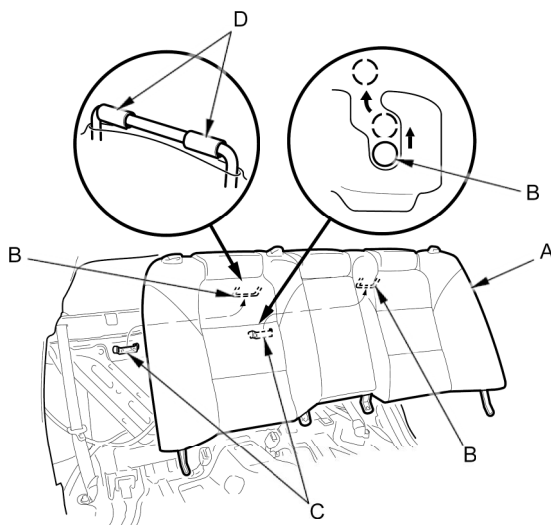
▶ : Bolt, 4



6 x 1.0 mm
9.8 N·m
(1.0 kgf·m, 7.2 lbf·ft)



5. Remove the rear seat-back (A).
1. Lift up the bottom of the seat-back.
 1. Push on the seat-back while lifting it up to release the wire loops (B) from the hooks (C) on the body.



6. Install the seat in the reverse order of removal, and note these items:
- Replace any damaged felt tape (D) on the wire loops.

- Guide the belts over the front of the seat-back as you install it.
- Make sure there are no twists or kinks in the seat belts before attaching the rear seat-back and the rear seat cushion.
- Slip the seat belt buckles through the slits in the seat cushion as you install it.