



# INSTALLATION INSTRUCTIONS

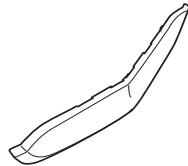
Accessory  
REAR SPORT TRIM  
P/N 08F52-TK4-200

Application  
2011 TL

Publications No.  
BII 44596  
Issue Date  
AUG 2010

## PARTS LIST

Rear sport trim



## TOOLS AND SUPPLIES REQUIRED

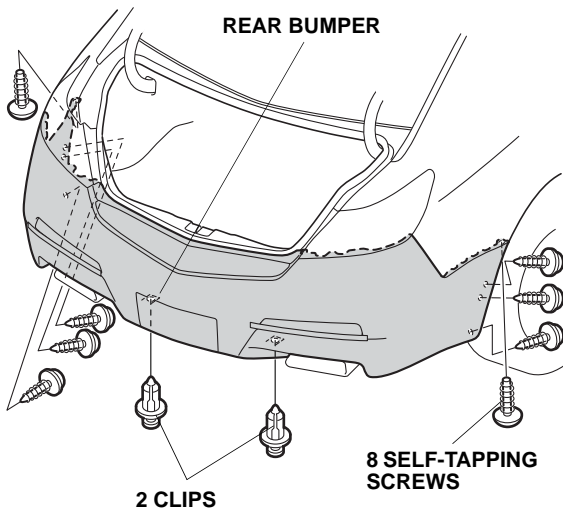
Phillips screwdriver  
Flat-tip screwdriver  
Ratchet  
10 mm Socket  
Blanket

## INSTALLATION

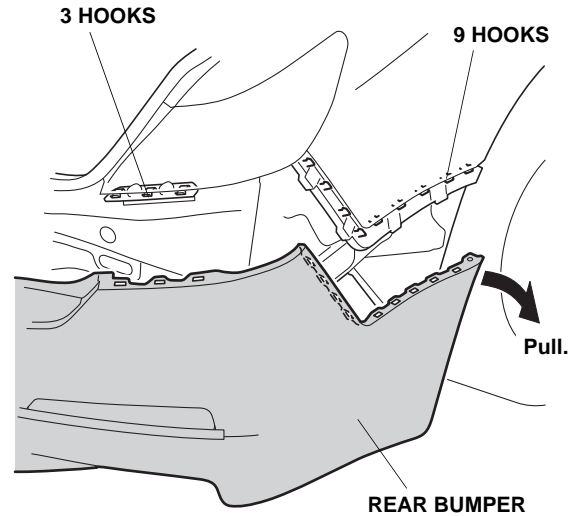
**Client Information:** The information in this installation instruction is intended for use only by skilled technicians who have the proper tools, equipment, and training to correctly and safely add equipment to your vehicle. These procedures should not be attempted by "do-it-yourselfers."

**NOTE:** Be careful not to damage the rear bumper and body paint finish.

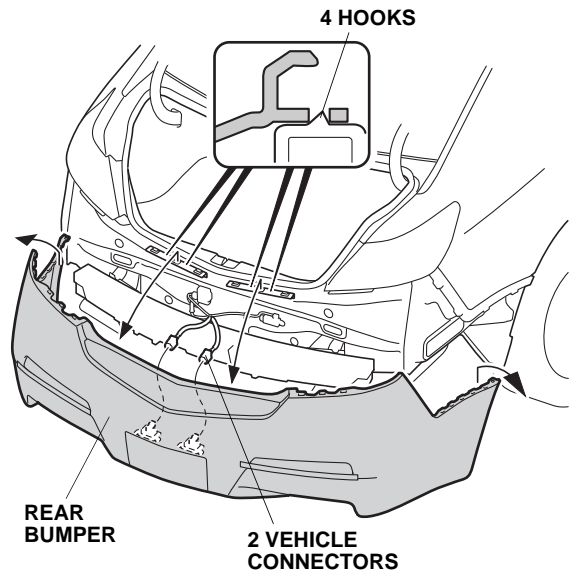
- Remove the rear bumper:
    - Open the trunk lid, and remove the eight self-tapping screws and two clips from the rear bumper.
- NOTE:** If equipped, remove the rear splash guards.



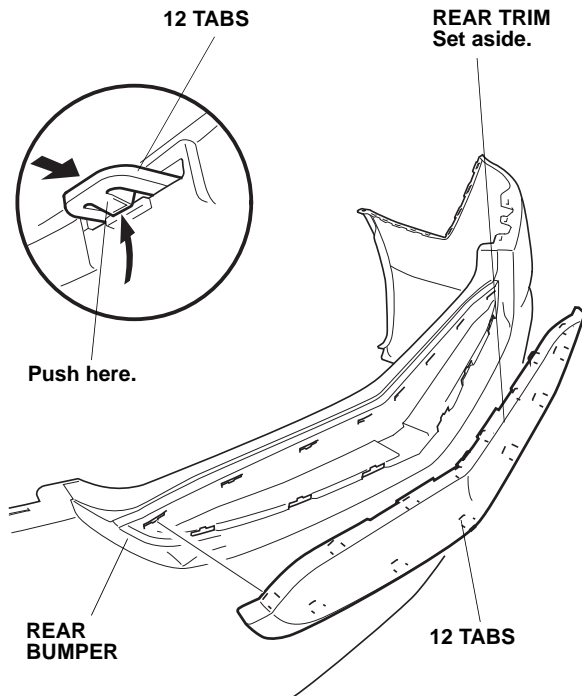
- On each side, release the 12 hooks, and gently pull the rear bumper out from the body.



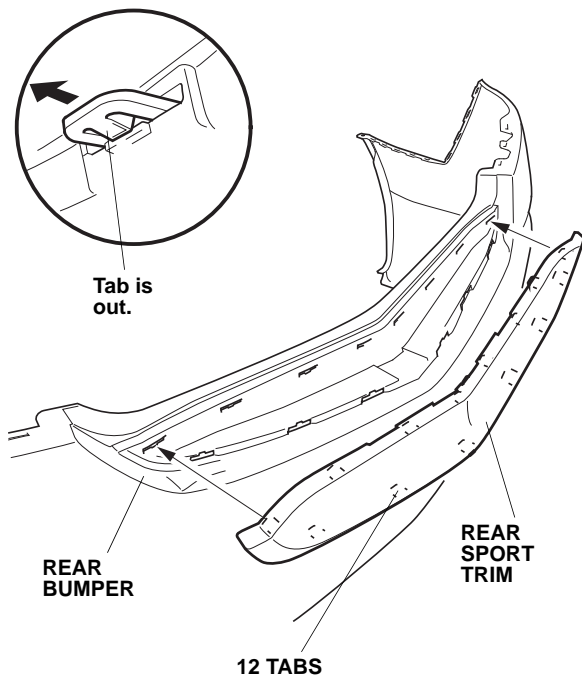
- With the help from an assistant, remove the rear bumper (four hooks, and unplug the two vehicle connectors). Place the rear bumper on a blanket to prevent damage.



2. Release the 12 tabs, and remove the rear trim. Set the rear trim aside, it will not be reused.



3. Install the rear sport trim to the rear bumper. Make sure all the tabs are properly snapped in place.



4. With the help of an assistant, reinstall the rear bumper.