

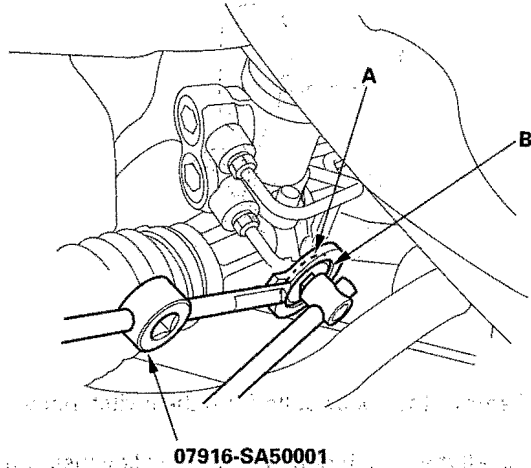
Power Steering

Rack Guide Adjustment

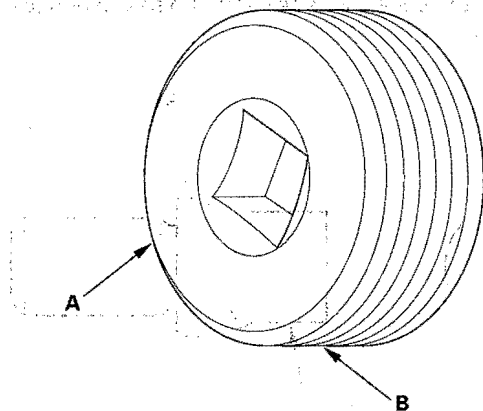
Special Tools Required

Locknut wrench, 40 mm 07916-SA50001

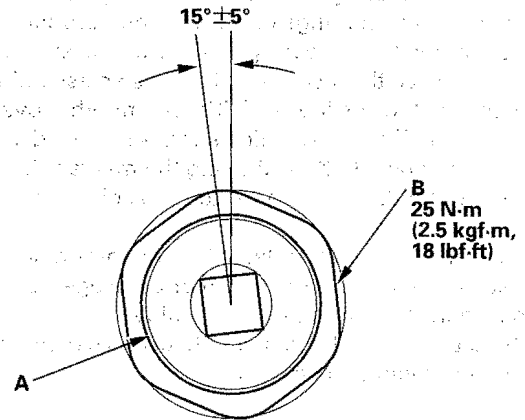
1. Set the wheels in the straight ahead position.
2. Loosen the rack guide screw locknut (A) with the special tool, then remove the rack guide screw (B).



3. Remove the old sealant from the rack guide screw (A), and apply new sealant (Three Bond 1215 or Loctite 5699) to the middle of the threads (B). Loosely install the rack guide screw on the steering gearbox.



4. Tighten the rack guide screw (A) to 25 N·m (2.5 kgf·m, 18 lbf·ft), then loosen it.



5. Retighten the rack guide screw to 3.9 N·m (0.4 kgf·m, 4 lbf·ft), then back it off to the specified angle.

Specified return angle: $15^{\circ} \pm 5^{\circ}$

6. Hold the rack guide screw stationary with a wrench, and tighten the locknut by hand until it's fully seated.
7. Install the special tool on the locknut (B), and hold the rack guide screw stationary with a wrench. Tighten the locknut an additional 30° with the special tool.
8. Check for unusual steering effort through the complete turning range.
9. Check the steering wheel rotation play (see page 17-7) and the power assist (see page 17-7).