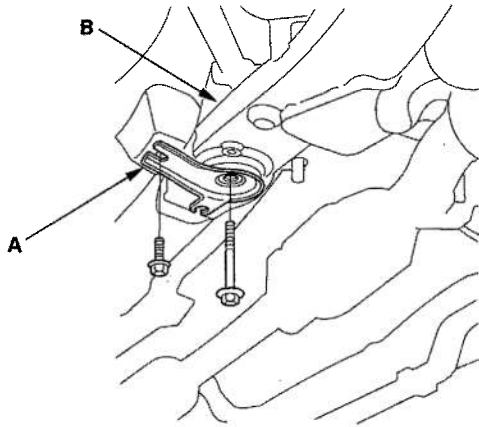


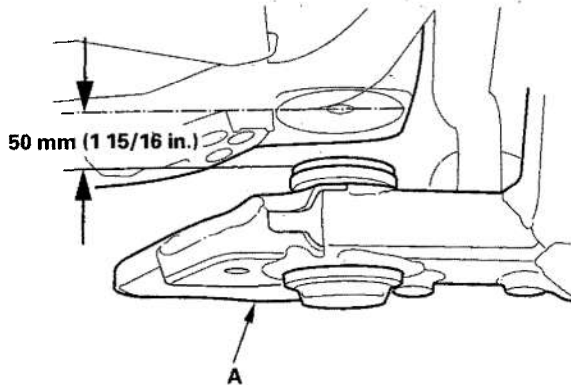
# Power Steering

## Steering Gearbox Removal (cont'd)

20. Remove the front suspension subframe rear bracket (A) on the right and left of the vehicle from the front suspension subframe (B).



21. Lower the jack supporting the front suspension subframe (A) with the special tool slowly until the front suspension subframe has dropped about 50 mm (1 15/16 in.).



22. Remove the P/S heat baffle plate (A).

