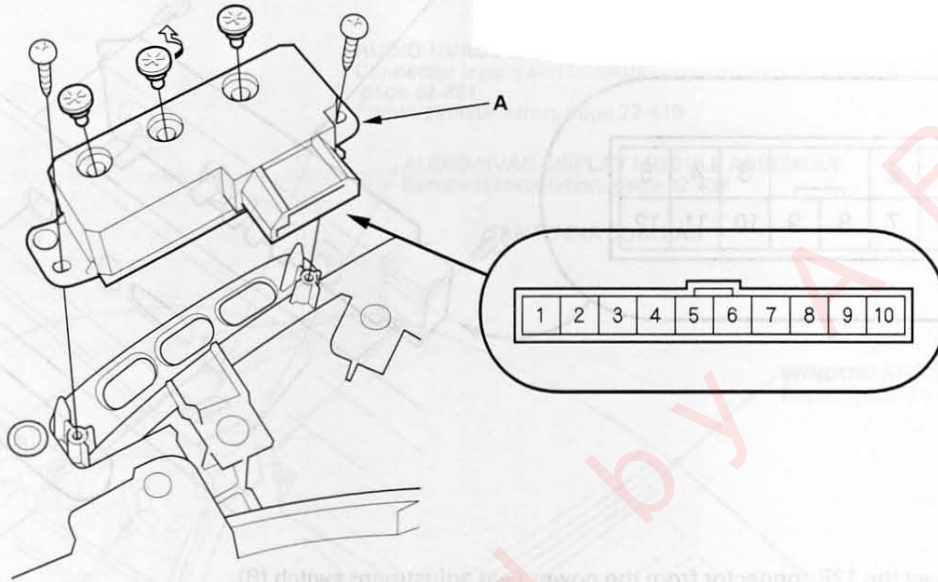




Driving Position Memory Switch Test/Replacement

1. Remove the driver's door panel (see page 20-7).
2. Disconnect the 10P connector from the memory switch (A).



3. Check for continuity between the terminals in each switch position according to the table.

Terminal		1	2	8	4	5	6	7	3	10
MEMO button	OFF									
	ON				○	—	○			
Position 1 button	OFF									
	ON						○	—	○	○
Position 2 button	OFF									
	ON						○	—	○	
Indicator 1		○	—	⊗	—	○				
Indicator 2			○	—	⊗	—	○			

4. If the continuity check is not as specified, remove the screws and replace the switch.