

Seats

Rear Seat Removal/Installation

NOTE: Take care not to scratch the body or tear the seat covers.

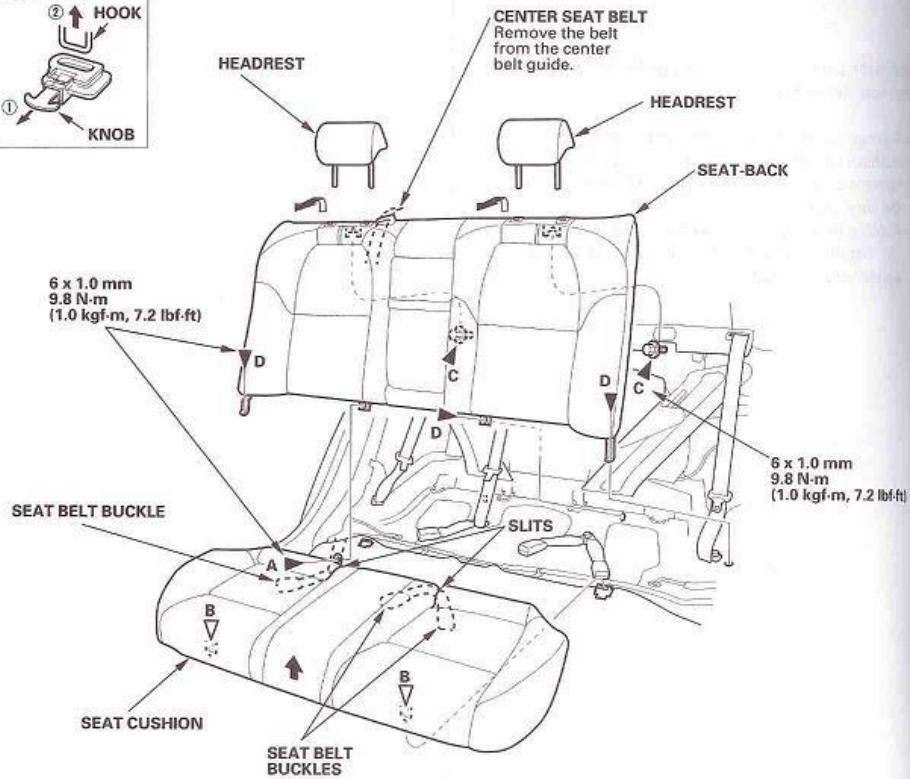
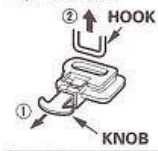
1. Remove the seat cushion bolt (A), then pull the seat hook knobs (B) to release the seat cushion.
2. Loosen the upper bolts (C), then remove the lower bolts (D).
3. Install the seat in the reverse order of removal, and note these items:
 - Guide the belts over the front of the seat-back as you install it.
 - Before attaching the rear seat-back and cushion, make sure there are no twists or kinks in the seat belts.
 - When installing the seat cushion, slip the seat belt buckles through the slits in the seat cushion.

Fastener Locations

A ▶ Bolt, 1 (16 mm) C ▶ Bolt, 2 (22 mm) D ▶ Bolt, 3



B ▶ Hook, 2



Interior Trim

Trim Removal/Installation - Rear Shelf Area

C-pillar Area

NOTE:

- Put on gloves to protect your hands.
- Use the appropriate tool from the KTC trim tool set to avoid damage when prying components.
- Take care not to bend or scratch the trim and panels.

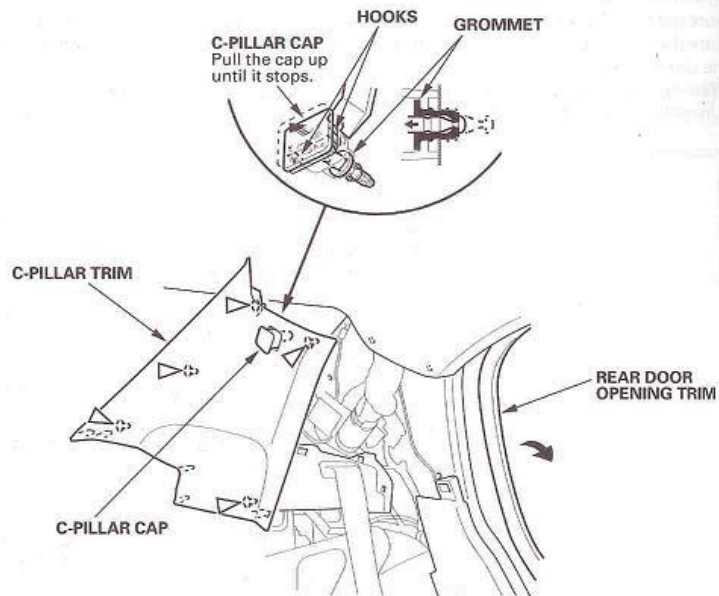
1. Remove the trim as shown.

2. Install the trim in the reverse order of removal, and note these items:

- If the side curtain airbags have deployed, be sure to check the removed trim pieces for damage before reinstallation (see page 23-125), and if necessary, replace them and the trim clips with new ones.
- If the side curtain airbags have not deployed, removed trim pieces should still be checked for damage (see page 23-125), and replaced with new ones if necessary.
- Make sure the top of the trim overlaps with the headliner correctly (see page 23-127).
- Push the cap and clips into place securely.

Fastener Locations

▷ : Clip, 5





Rear Shelf Area

SRS components are located in this area. Review the SRS component locations (see page 23-11) and the precautions and procedures (see page 23-13) before performing repairs or service.

NOTE:

- Put on gloves to protect your hands.
- Use the appropriate tool from the KTC trim tool set to avoid damage when prying components.
- Take care not to bend or scratch the trim and panels.

1. Remove these items:

- Rear seat cushion (see page 20-112)
- Rear seat-back (see page 20-112)
- C-pillar trim, both sides (see page 20-66)

2. Lift the rear shelf to release the clips, then pull the rear shelf towards the front of the vehicle.

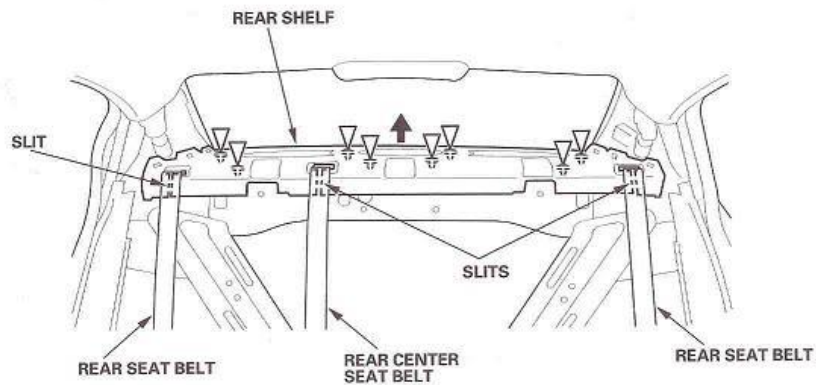
NOTE: The shelf may be stuck to the rear window and may require some force to detach. Make sure that all the clips are released before pulling the shelf out.

3. Install the trim in the reverse order of removal, and note these items:

- Replace any damaged clips.
- When installing the rear shelf, slip the rear seat belts and center seat belt through the slits in the rear shelf.
- Push the clips into place securely.

Fastener Locations

▷ : Clip, 8



Interior Trim

Trim Removal/Installation - Trunk Area

NOTE:

- Put on gloves to protect your hands.
- Use the appropriate tool from the KTC trim tool set to avoid damage when prying components.
- Take care not to bend or scratch the trim and panels.

1. Remove the trim as shown.

2. Install the trim in the reverse order of removal, and note these items:

- Replace any damaged clips.
- When installing the trunk side trim panel, slip the trunk lid hinge through the slits in the trim panel.
- Push the clips into place securely.

Fastener Locations

A ▶ : Clip, 4 B ▶ : Clip, 2 C ▶ : Clip, 9 D ▶ : Screw, 9 E ▶ : Bolt, 1

