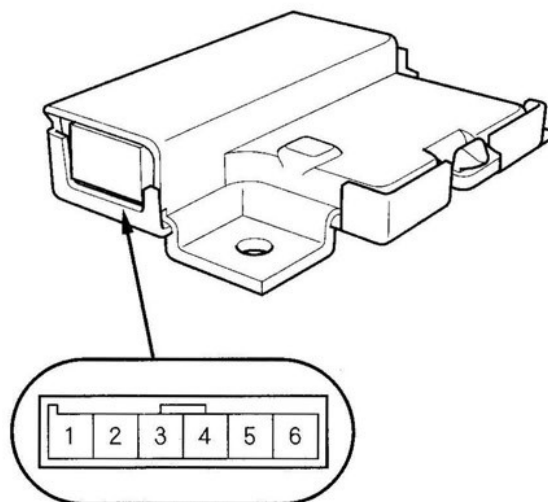




Electrical Compass Unit Connector Inputs and Outputs (Without navigation)

The electrical compass unit shows the direction of the vehicle on the display panel control unit.



Cavity	Wire	Connects to
1	YEL/GRN	IG1 (Power source for ignition switch)
2	BLK	Ground (G604)
3	BRN	Display panel control unit (COMPASS 1)
4	PUR	Display panel control unit (COMPASS 2)
5	LT GRN	Display panel control unit (COMPASS 3)
6	GRY	Display panel control unit (COMPASS 4)