

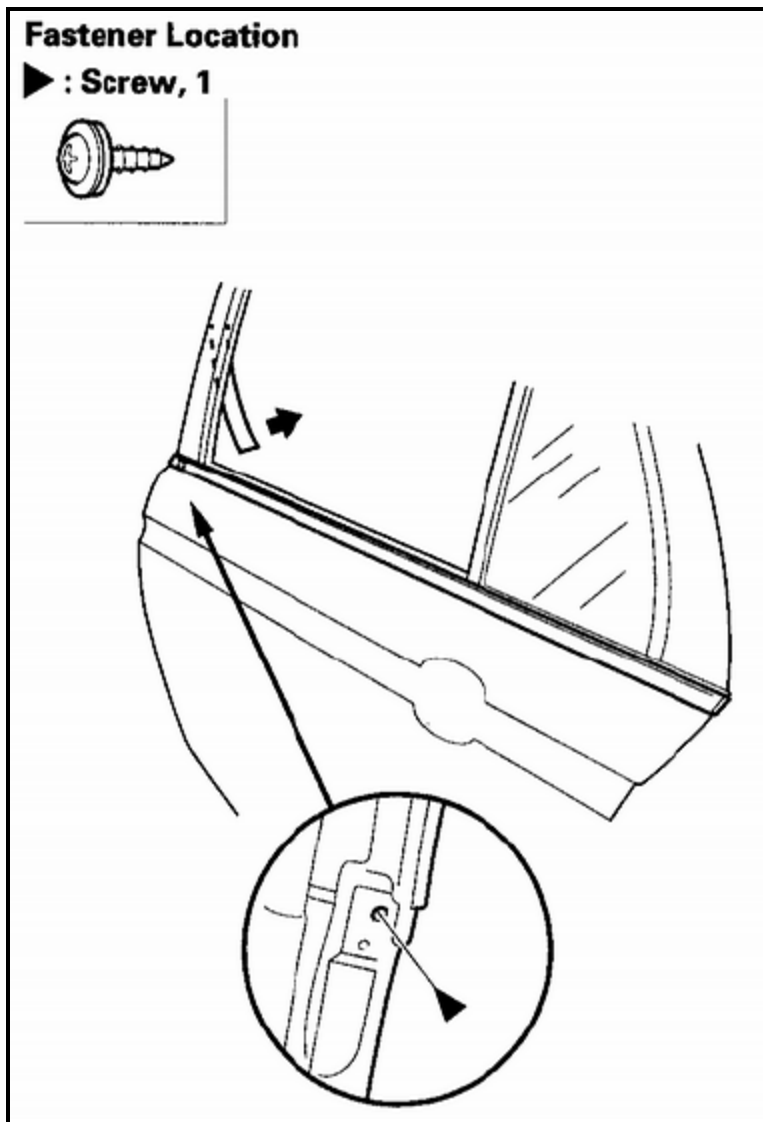


Rear Door Glass Outer Weatherstrip Replacement

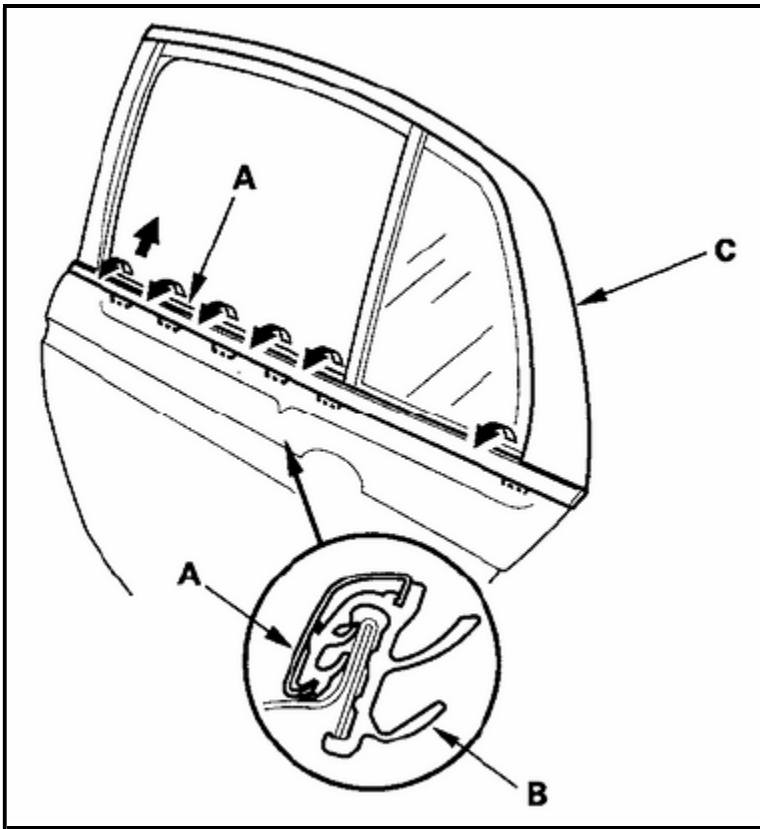
NOTE:

- Once you remove the door glass outer weatherstrip, replace it with a new one because it will bend during removal.
- Put on gloves to protect your hands.
- Take care not to scratch the door.

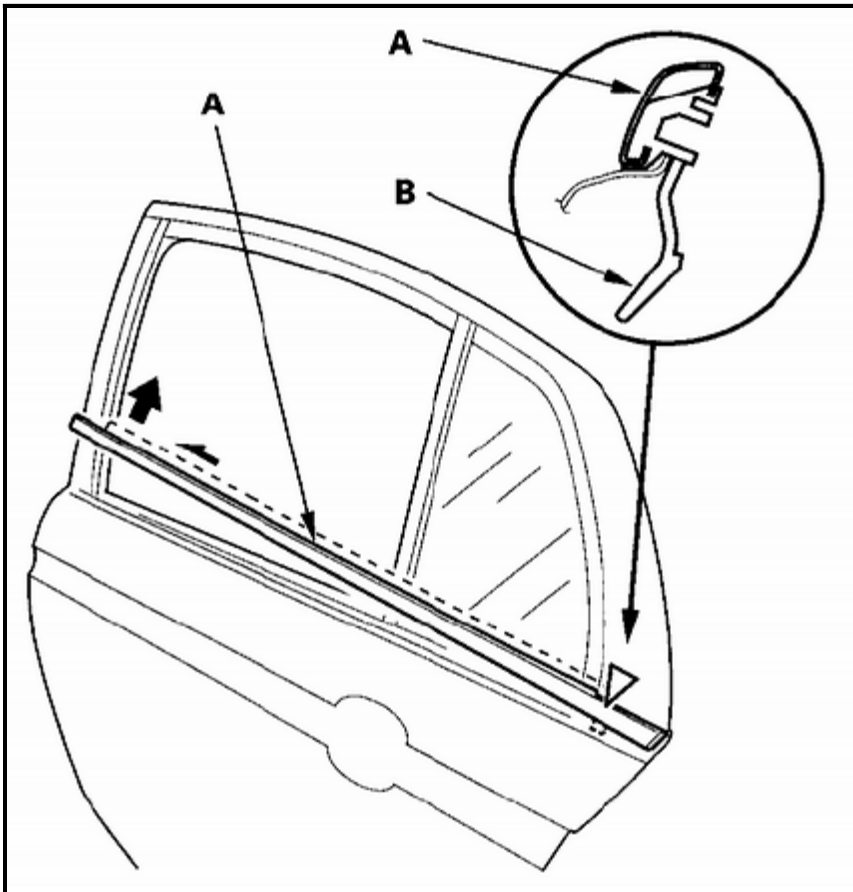
1. Remove the door panel.
2. Remove corner portion of the weatherstrip.



3. Remove the screw and sealing washer from the front edge of the door.



4. Starting at the front, pull the door glass outer weatherstrip (A) up at each portion where the inner molding (B) catches the inside edge of the window slot. Take care not to bend the door outer molding (C).



5. First slide the door glass outer weatherstrip (A) forward slightly, detach the rear clip (B) by pulling the front of the weatherstrip up, then slide the weatherstrip forward to remove it.
6. Install a new weatherstrip in the reverse order of removal.

© 2014 ALldata, LLC. All Rights Reserved. (Version 2.0.13637)

This document was created with Win2PDF available at <http://www.win2pdf.com>.
The unregistered version of Win2PDF is for evaluation or non-commercial use only.
This page will not be added after purchasing Win2PDF.