

ATF Replacement and Level Check

Replacement

[How to use this Manual.](#)

NOTE:

- Be careful not to burn yourself.
- ATF is poisonous. If ingested, get medical attention immediately.

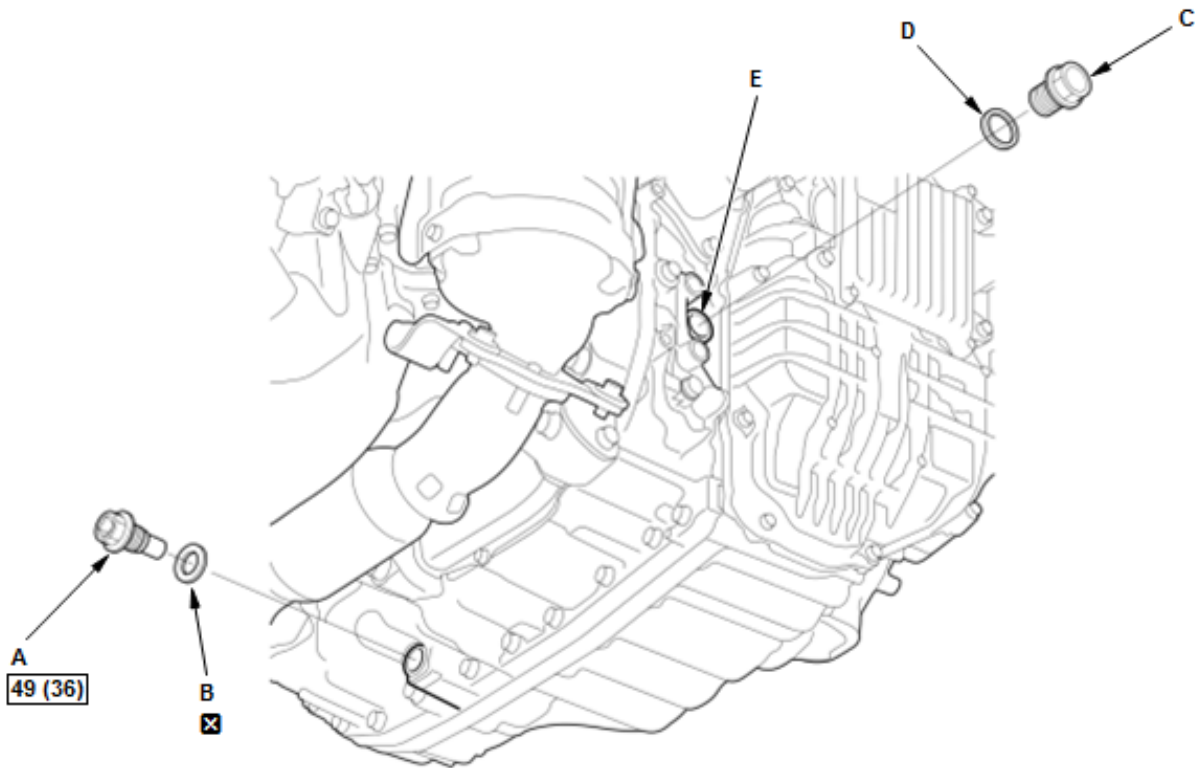
1. ATF - Replace

■ Preconditions

- [Engine Undercover Removed](#)

■ Procedure/Specifications

1. Remove the drain plug (A) with the sealing washer (B), and drain the ATF.



2. Reinstall the drain plug with a new sealing washer.
3. Remove the filler plug (C) with the sealing washer (D).

4. Refill the transmission with the recommended fluid through the filler plug hole (E).

NOTE: Using the wrong type of fluid will damage the transmission.

Transmission Fluid (ATF) Capacity

Type	Operation	Specifications
Without AWD	At Fluid Change	4.3 L (4.5 US qt)
	At Overhaul	8.3 L (8.8 US qt)
With AWD	At Fluid Change	4.8 L (5.1 US qt)
	At Overhaul	8.8 L (9.3 US qt)

Transmission Fluid (ATF) Type

Specifications
Acura ATF TYPE 2

5. Temporarily install the filler plug with the old sealing washer.

■ After Replacement

- 1. ATF Level Check

NOTE: Refer to the Check procedure for more details.

- 2. Maintenance Minder Reset (With Maintenance Minder System)

NOTE: If the Maintenance Minder required to replace the ATF, [reset the Maintenance Minder with the gauge \(see "Resetting the Maintenance Minder"\)](#). If the Maintenance Minder did not require to replace the ATF, [reset the Maintenance Minder with the HDS \(see "Resetting Individual Maintenance Items"\)](#).

Check

NOTE:

- Be careful not to burn yourself.
- Improper ATF level will affect shift quality.

1. ATF Level - Check

NOTE:

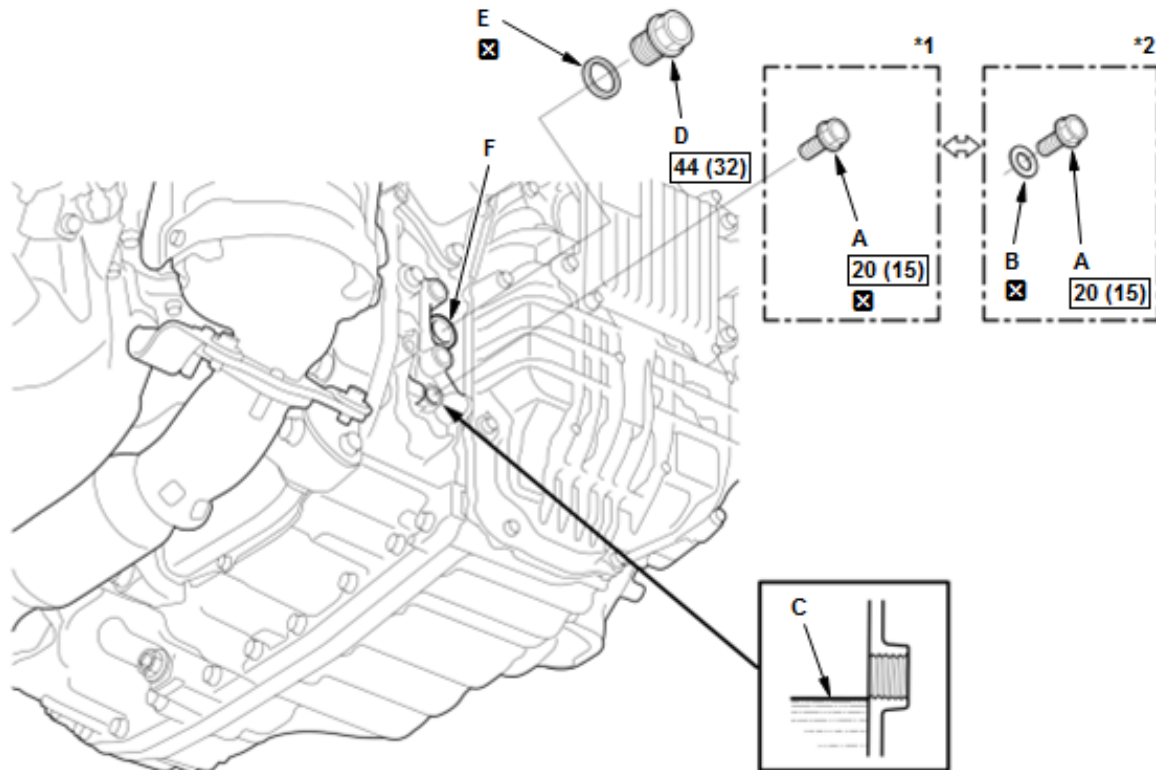
- Check the ATF level right after shifting the transmission through all of the positions/modes and turning the engine OFF.
- There are two types of level plugs: integrated washer type and separated washer type.

■ Preconditions

- Engine Warmed Up (the radiator fan comes on twice)
- [Engine Undercover Removed](#)

■ Procedure/Specifications

1. Start the engine.



*1: Integrated washer type
*2: Separated washer type

2. While pressing the brake pedal firmly, shift the transmission to P→R→N→D→S→2nd→S→D→N→R→P position/mode, and wait at least 3 seconds in each position/mode.

NOTE: To shift to 2nd gear, enter the sequential sportshift mode by pressing the paddle shifter while in the S position/mode.

3. Turn the engine off.
4. Integrated washer type: Remove the level plug (A).

Separated washer type: Remove the level plug (A) with the sealing washer (B).

5. Make sure the ATF level is at the proper level (C).

Normal Conditions

Proper Transmission Fluid (ATF) Level

The ATF is dripping from the level plug hole.

6. If necessary, remove the filler plug (D) with the sealing washer (E), and add the recommended fluid through the filler plug hole (F) until the ATF overflows from the level plug hole.

NOTE: Using the wrong type of fluid will damage the transmission.

Transmission Fluid (ATF) Type

Specifications
Acura ATF TYPE 2

7. Integrated washer type: Install a new level plug.

Separated washer type: Install the level plug with a new sealing washer.

8. Install the filler plug with a new sealing washer.

■ Result

- If the ATF level is below the proper level, check for fluid leaks at the transmission and the fluid lines. If a problem is found, fix it before filling the transmission with ATF.