



# Crossbars User's Information Manual

# RDX

## Introduction

---

**Thank you for purchasing this Acura accessory.**

**Please read this manual carefully before using the crossbars. Keep it in the glove box for future reference.**

This product is designed to be used exclusively on an Acura RDX. Acura is not responsible if the product is used for anything other than its intended purpose.

This manual should be considered a permanent part of the vehicle. It should remain with the vehicle at all times and stay with the vehicle when sold.

Your safety, and the safety of others, is very important. Operating your vehicle's accessory safely is an important responsibility.

To help you make informed decisions about safety, we have provided operating procedures and other information on labels in the vehicle owner's manual and in this manual. This information alerts you to potential hazards that could hurt you or others.

Of course, it is not practical or possible to warn you about all the hazards associated with operating or maintaining your vehicle. You must use your own good judgment.

For your safety and safety of others, pay special attention to all warning symbols. Failure to follow the warnings contained in this manual can result in damage to your vehicle, serious injury, or death.

### Warning Symbols

#### **DANGER**

You **WILL** be **KILLED** or **SERIOUSLY HURT** if you don't follow instructions.

#### **WARNING**

You **CAN** be **KILLED** or **SERIOUSLY HURT** if you don't follow instructions.

#### **CAUTION**

You **CAN** be **HURT** if you don't follow instructions.

#### **NOTICE**

You **CAN** damage your vehicle, other property or the environment.

## Information

---

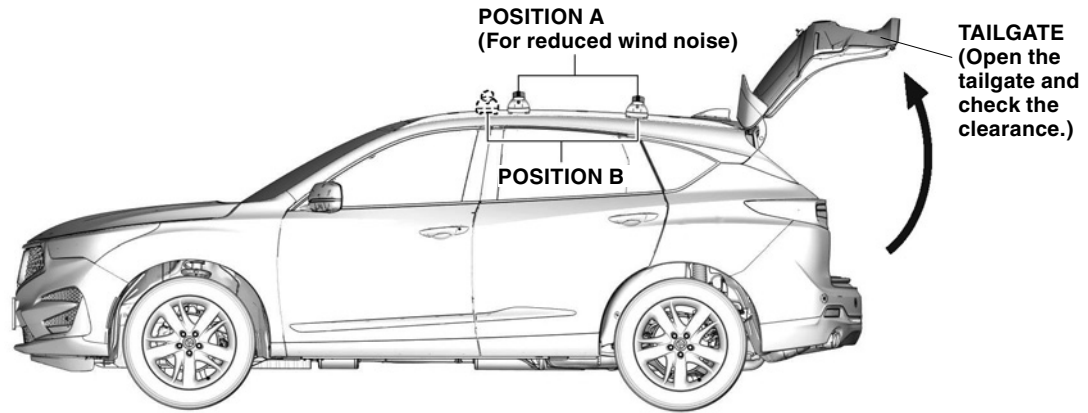
### **⚠ WARNING**

**Overloading or improperly loading your vehicle can cause a crash in which you can be seriously hurt or killed.**

**The maximum cargo weight capacity must not exceed 165 lbs (75 kg).**

### **NOTICE**

- This crossbar kit is designed to be used exclusively with the Genuine Acura Accessory Roof Rail, which are sold separately. For details, consult your dealer.
- To help reduce wind noise, place the crossbars in position A and only use the crossbars when carrying a load.
- When the optional bicycle attachment, surfboard attachment, or the ski/snowboard attachment are installed on the crossbars, refer to the installation instructions for those attachment kits.
- Some attachment kits that accommodate larger cargo will require you to move the front crossbar to position B. When these attachments are removed from the crossbars, it is recommended that you move the front crossbar back to position B to reduce wind noise.
- Make sure to check the clearance between the tailgate in the open position and the cargo you are carrying.



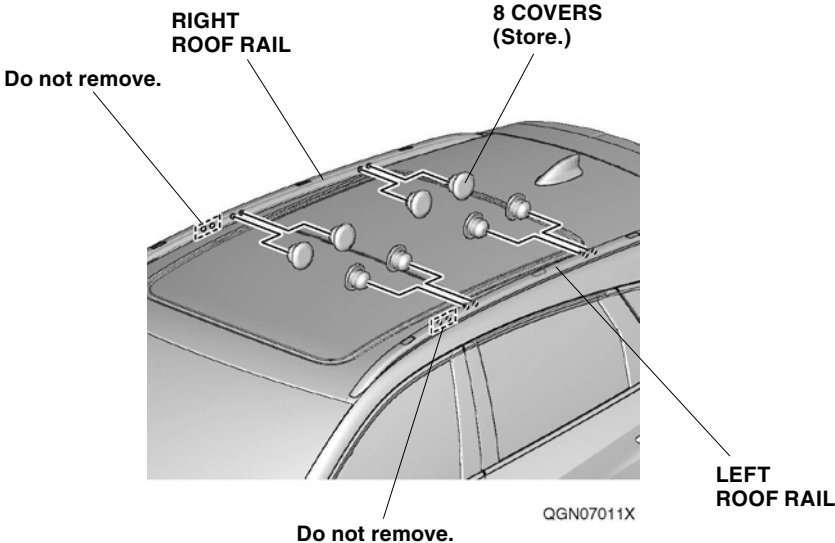
QH308010X

# Crossbars Installation

Remove the four covers on each roof rail as shown. Store the covers in a safe place in case the crossbars are removed.

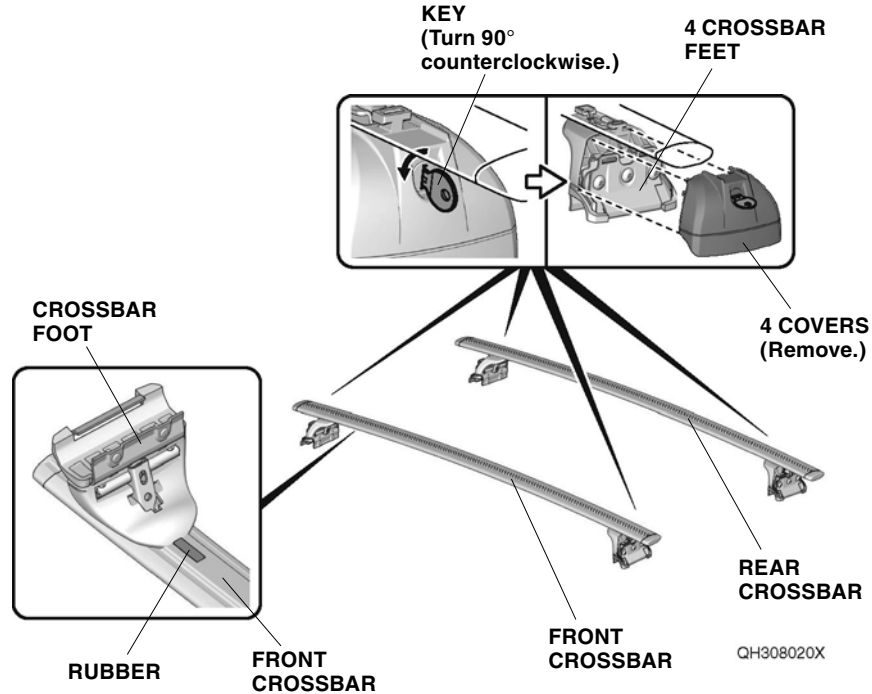
**NOTICE**

Do not remove the front set of covers at this time.



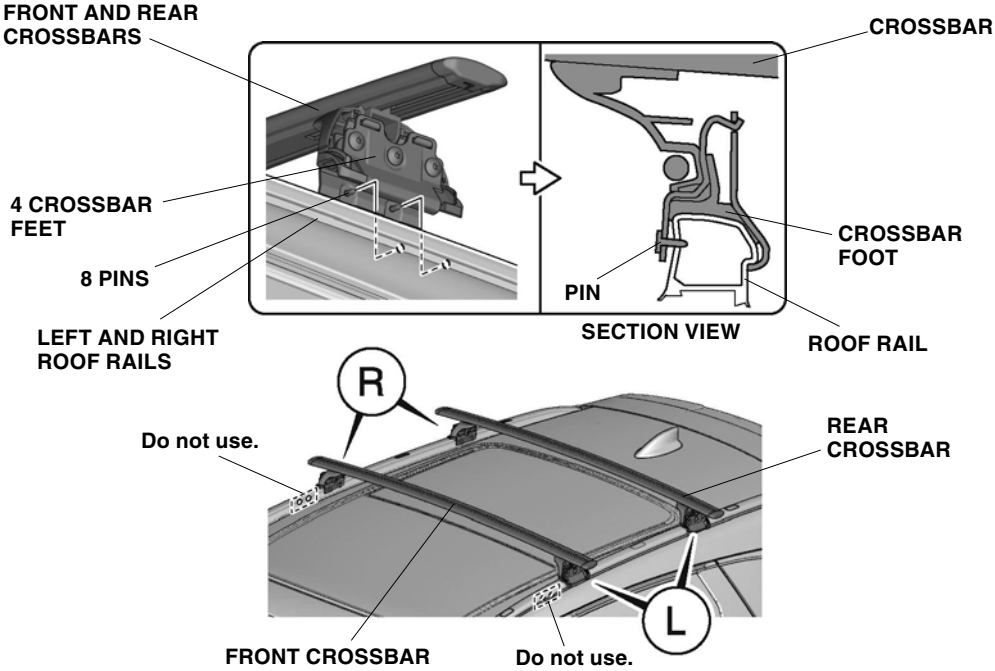
## Crossbars Installation

On each crossbar foot, turn the supplied key 90° counterclockwise to unlock the cover. Then, remove them. Identify the front and rear crossbar by their shapes shown.



# Crossbars Installation

Check the identification marks, and position the front and rear crossbars on the roof rails.

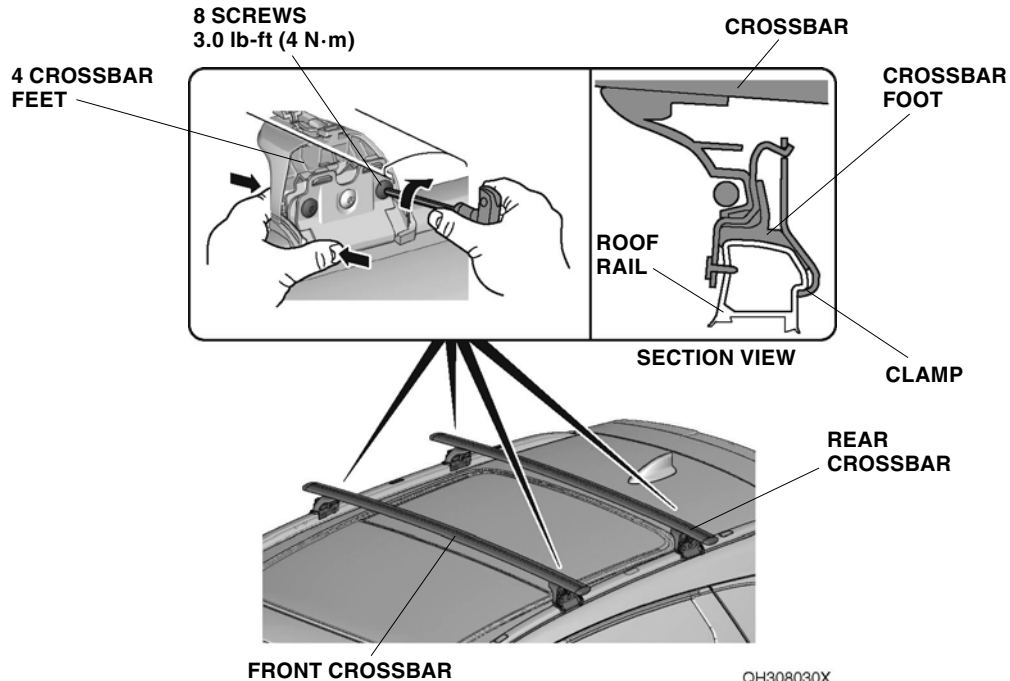


QGN07032X



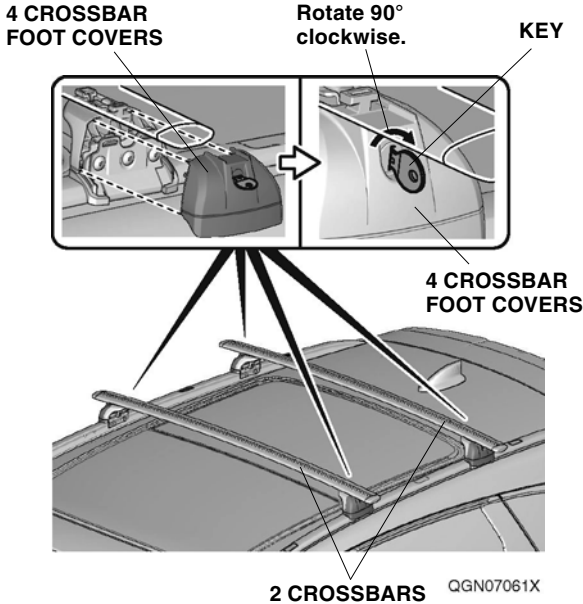
## Crossbars Installation

To line up the crossbar pins with the roof rails, you may need to slightly loosen the crossbar screws. Make sure each clamp is fully seated on the roof rail as shown. Loosely tighten each screw, then torque them to 3.0 lb-ft (4 N·m).



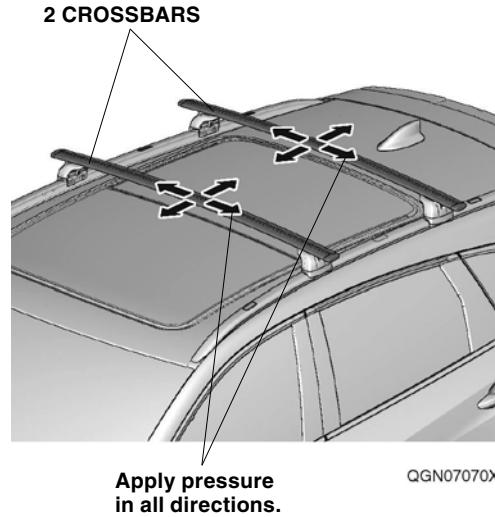
# Crossbars Installation

Install the crossbar foot cover to the crossbar foot with firm pressure. Then, rotate the key 90° clockwise, and remove it. Repeat for each crossbar foot.



## Crossbars Installation

Make sure the crossbars are firmly secured by applying pressure to them as shown.  
Store the keys and special tool in a safe place.



**ACURA**