

Power Mirror Removal and Installation

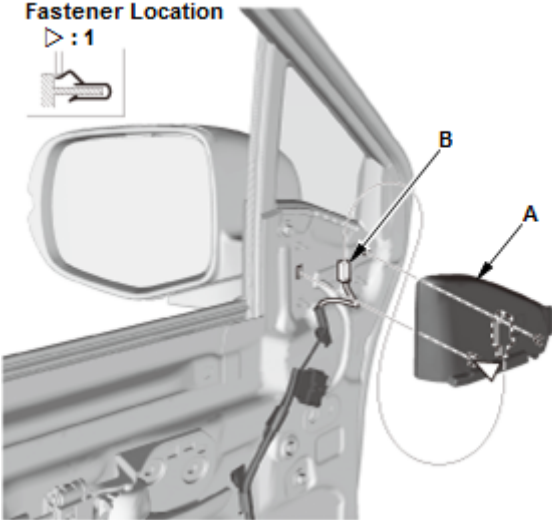
Removal/Installation

1. Front Door Panel - Remove

2. Power Mirror - Remove

Fastener Location

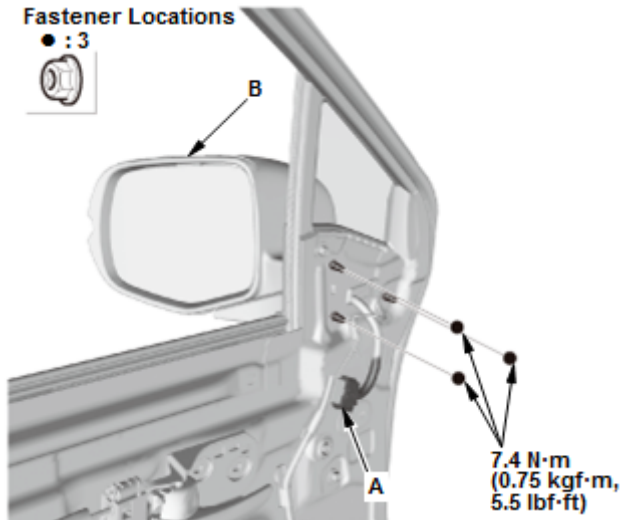
▷ : 1



1. Remove the mirror mount cover (A).
2. Disconnect the connector (B). (for some models)

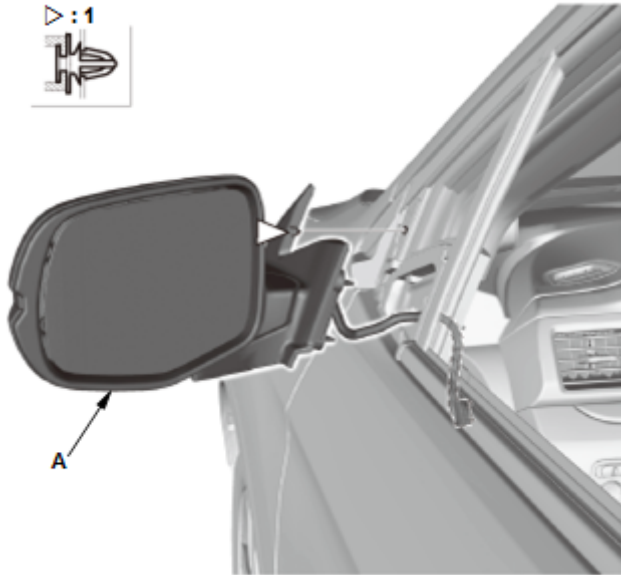
Fastener Locations

● : 3



3. Disconnect the connector (A).
4. While holding the power mirror (B), remove the nuts.

Fastener Location



5. Remove the power mirror (A).

3. All Removed Parts - Install

1. Install the parts in the reverse order of removal.

4. LaneWatch Camera - Aim