

## Mirror Housing Cover Removal and Installation

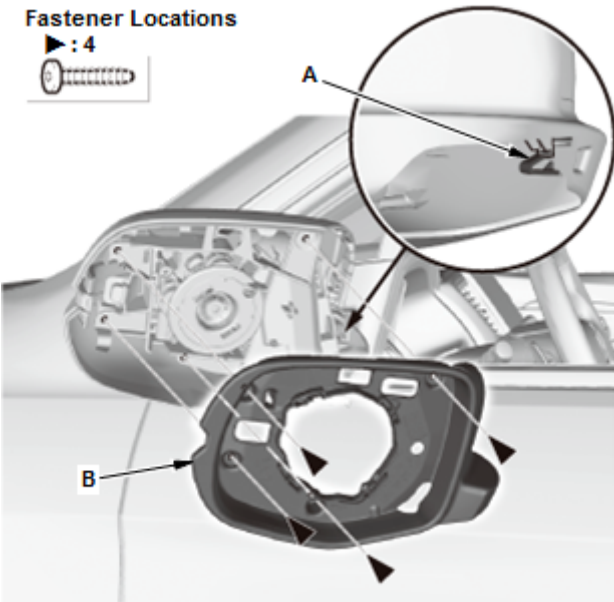
### Removal/Installation

#### 1. Mirror Holder - Remove

#### 2. Mirror Housing Cover- Remove

##### Fastener Locations

▲: 4

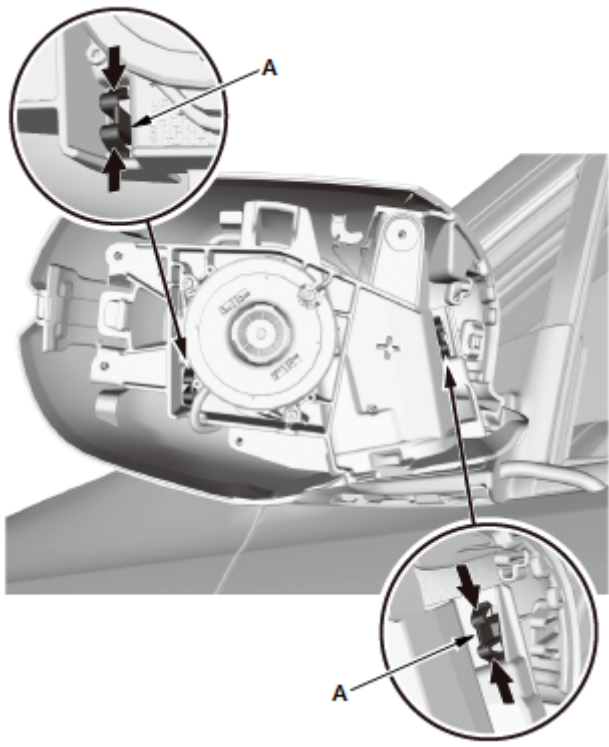


1. Remove the screws with a TORX T15 bit.
2. Release the hook (A), and then remove the visor (B).

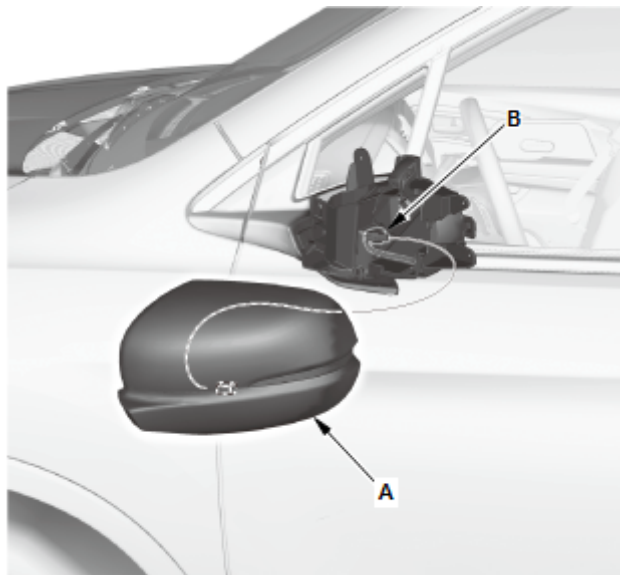
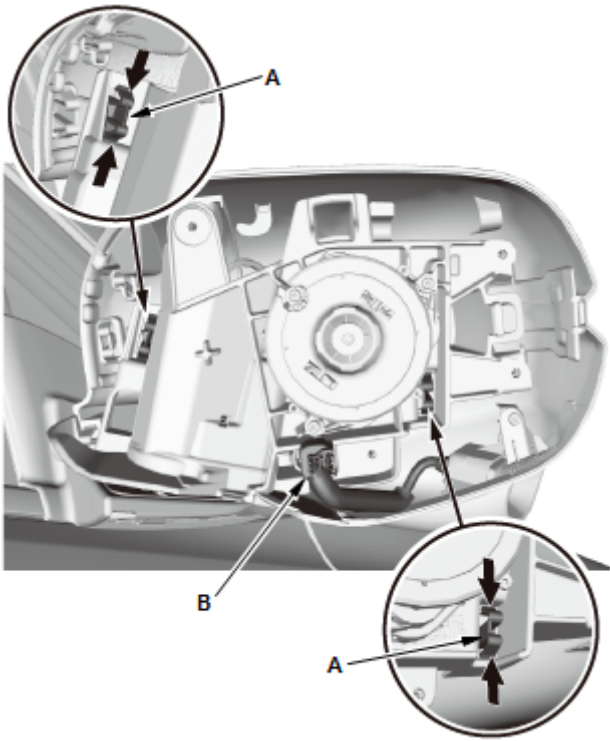
---

#### Driver's Side

3. Release the hooks (A).
4. Disconnect the connector (B). (for some models)

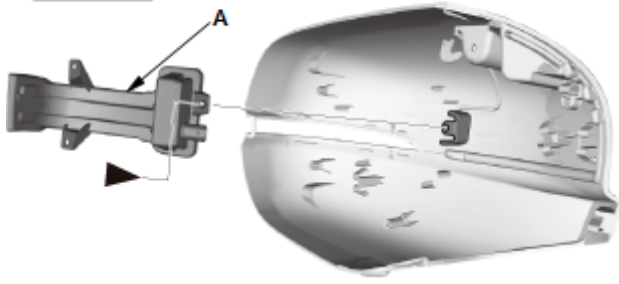


### Passenger's Side

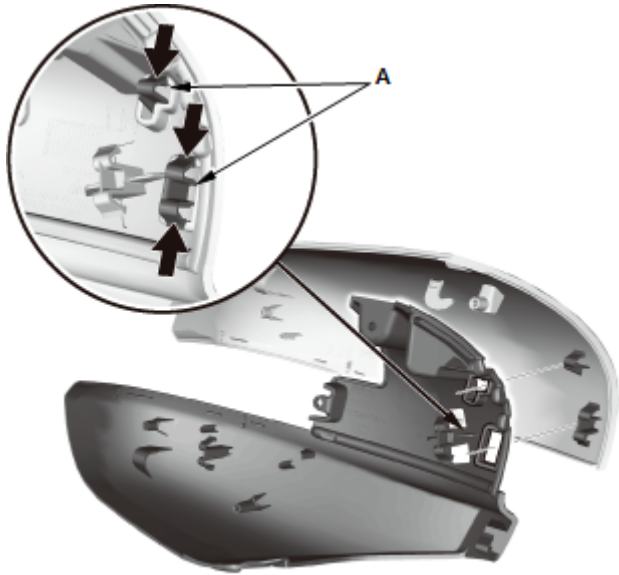


5. Remove the mirror housing cover (A), and then disconnect the connector (B). (for some models)

### Fastener Location



6. Remove the screw with a TORX T15 bit, and then remove the side turn light (A). (for some models)



7. Release the hooks (A).
8. Separate the mirror housing cover.

### 3. All Removed Parts - Install

1. Install the parts in the reverse order of removal.

### 4. LaneWatch Camera - Aim