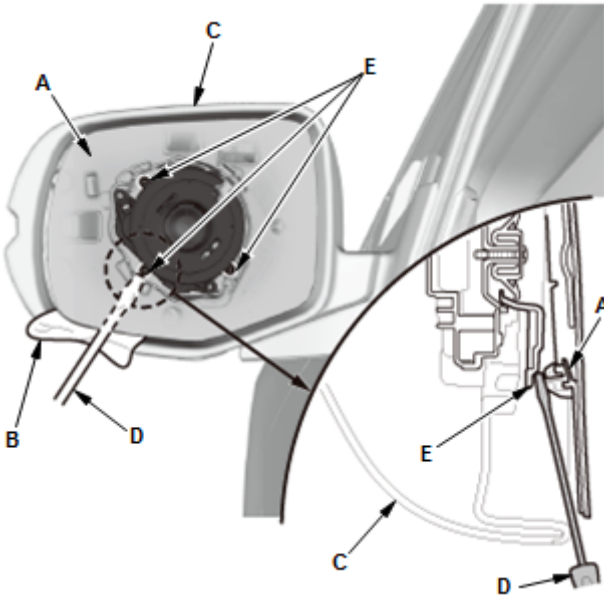


## Mirror Holder Removal and Installation

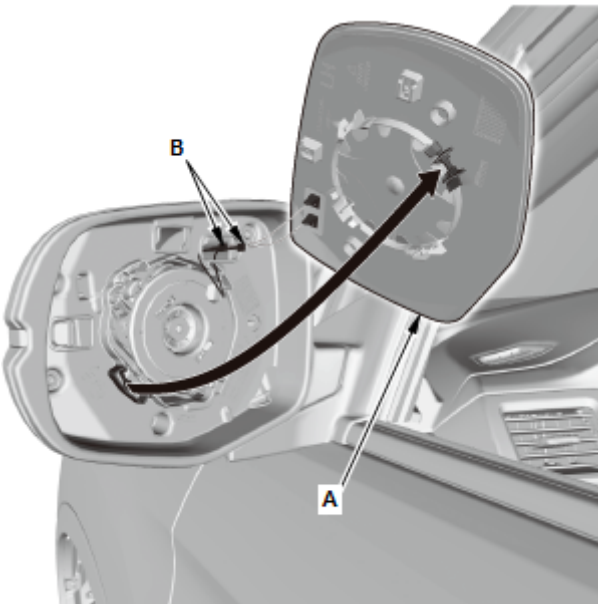
### Removal/Installation

#### 1. Mirror Holder - Remove



1. Carefully push on the top edge of the mirror holder (A) by hand.
2. Put a shop towel (B) in the opening between the bottom edge of the mirror holder and the mirror housing (C) to prevent scratches.
3. Insert a flat-tip screwdriver (D) under the mirror holder, and twist the screwdriver to release the hooks (E).

NOTE: To separate the two parts, do not pry up on the mirror holder but the hooks as this can cause either the mirror glass or actuator to break.



4. Remove the mirror holder (A), and then disconnect the connectors (B).

#### 2. All Removed Parts - Install

1. Install the parts in the reverse order of removal, check the actuator operation.