

Dashboard

Column Cover Removal/Installation

Special Tools Required

KTC trim tool set SOJATP2014 *

* Available through the Acura Tool and Equipment Program; call 888-424-6857

NOTE:

- Put on gloves to protect your hands.
- Take care not to scratch or damage the column covers.
- Use the appropriate tool from the KTC trim tool set to avoid damage when removing components.
- Do not pry on the column cover surface with any tools.

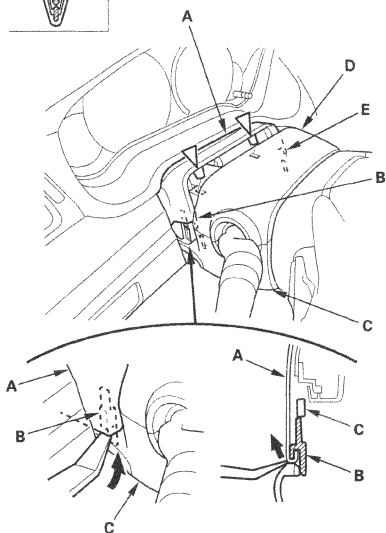
1. Adjust the steering column to the full tilt down position, and to the full telescopic out position.

2. Release the column blind cover (A) from the column covers:

- 1 Carefully pry up the edge of the column blind cover with the appropriate trim tool to release the pin (B) from the lower column cover (C).
- 2 Detach the clips fastening the column blind cover from the upper column cover (D) by hand.
- 3 Pull the other pin (E) off the lower column cover.

Fastener Locations

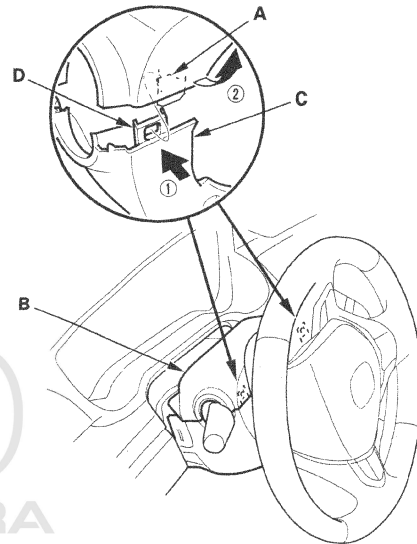
▷ Clip, 2



3. Turn the steering wheel to the left, and release the left tab (A) of the upper column cover (B) while pushing on the lower column cover (C) from the front.

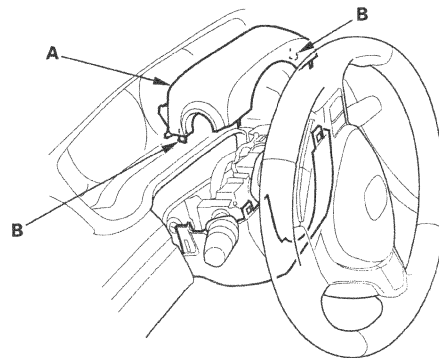
NOTICE

Carefully release the tabs, and do not pull up too hard on the upper column cover, or the hooks (D) may break.



4. Turn the steering wheel to the right, and release the right tab of the upper column cover the same as step 3.

5. Remove the upper column cover (A) by lightly pulling it up to release both side hooks (B) of the cover.

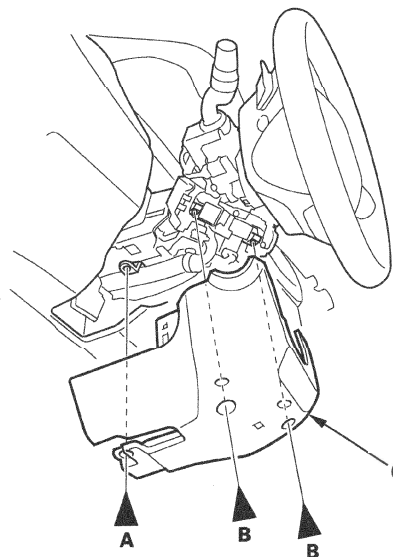




6. Remove the screws (A, B), then remove the lower column cover (C).

Fastener Locations

A ▶ : Screw, 1 B ▶ : Screw, 2



7. Install the upper and lower column covers in the reverse order of removal, and push the hooks into place securely.

Column Blind Cover Removal/ Installation

Special Tools Required

KTC trim tool set SOJATP2014 *

* Available through the Acura Tool and Equipment Program; call 888-424-6857

NOTE:

- Take care not to scratch the dashboard or the related parts.
- Use the appropriate tool from the KTC trim tool set to avoid damage when removing components.

1. Adjust the steering column to the full tilt down position, and to the full telescopic out position.

2. Remove these items:

- Driver's outer dashboard trim (see page 20-122)
- Driver's center trim (see page 20-123)

(cont'd)

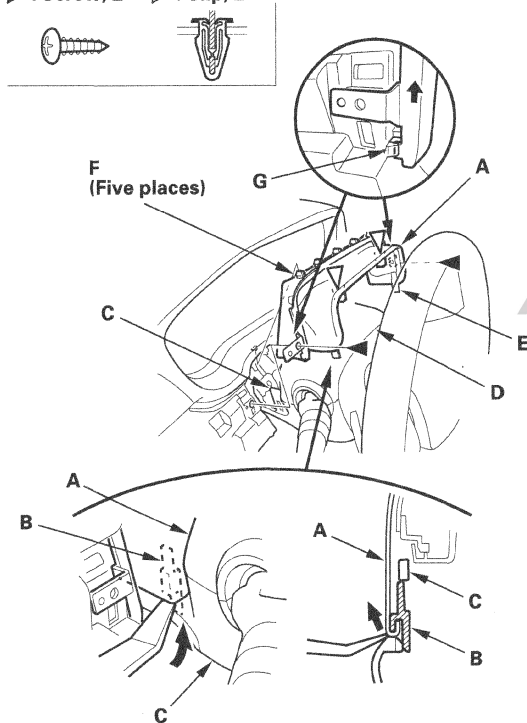
Dashboard

Column Blind Cover Removal/ Installation (cont'd)

3. Remove the column blind cover (A).
 - 1 Remove the screws.
 - 2 Carefully pry up the edge of the cover with the appropriate trim tool to release the pin (B) from the lower column cover (C).
 - 3 Detach the clips fastening the column blind cover from the upper column cover (D) by hand, and pull the pin (E) off the lower column cover.
 - 4 Release the hooks (F) from the dashboard.
 - 5 Remove both ends of the column blind cover from the hooks (G) of the dashboard.

Fastener Locations

▶ : Screw, 2 ▷ : Clip, 2



4. Install the cover in the reverse order of removal, and note these items:
 - If the clips are damaged or stress-whitened, replace them with new ones.
 - Push the clips and the hooks into place securely.
 - Slip both ends of the blind cover under the hooks of the dashboard properly.

Dashboard Replacement

Special Tools Required

KTC trim tool set SOJATP2014 *

* Available through the Acura Tool and Equipment Program; call 888-424-6857

SRS components are located in this area. Review the SRS component locations (see page 24-12) and the precautions and procedures (see page 24-14) before doing repairs or service.

NOTE:

- Put on gloves to protect your hands.
- Have an assistant help you when removing and installing the dashboard.
- Take care not to scratch the dashboard, the body, or the related parts.
- Take care not to bend the brackets.
- Use the appropriate tool from the KTC trim tool set to avoid damage when removing components.

1. Do the battery terminal disconnection procedure (see page 22-86), then wait at least 3 minutes before beginning work.

