

Dashboard

Driver's Dashboard Lower Cover Removal/Installation

Special Tools Required

KTC trim tool set SOJATP2014 *

* Available through the Acura Tool and Equipment Program; call 888-424-6857

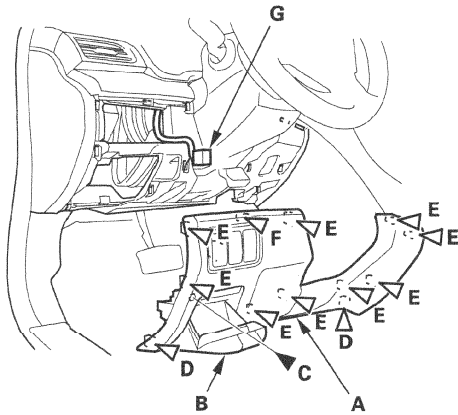
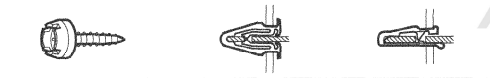
NOTE:

- Take care not to scratch the dashboard or the related parts.
- Use the appropriate tool from the KTC trim tool set to avoid damage when removing components.

1. Loosen the tilt/telescopic lock lever, and adjust the steering column upward. Leave the lock lever loosened.
2. Remove the driver's dashboard lower cover (A).
 - 1 Open the driver's pocket (B), and remove the screw (C).
 - 2 Pull out the bottom of the cover to detach the clips (D).
 - 3 Pull out along the edge of the cover to detach the clips (E, F).

Fastener Locations

C ▶ : Screw, 1 D, E ▷ : Clip, 11 F ▷ : Clip, 1

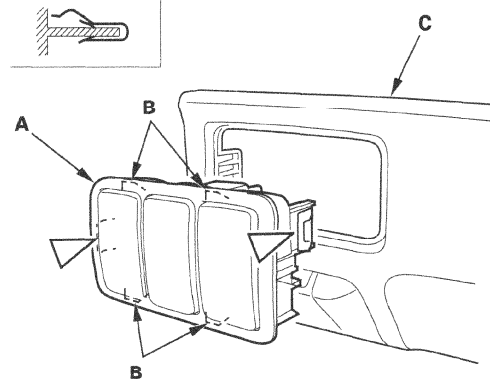


3. Disconnect the VSA OFF switch connector (G).

4. If necessary, push out the switch trim (A) to detach the clips and to release the tabs (B), then remove the trim from the driver's dashboard lower cover (C).

Fastener Locations

▷ : Clip, 2



5. Install the cover in the reverse order of removal, and note these items:

- Make sure the connector is plugged in properly.
- If the clips are damaged or stress-whitened, replace them with new ones.
- Push the clips into place securely.