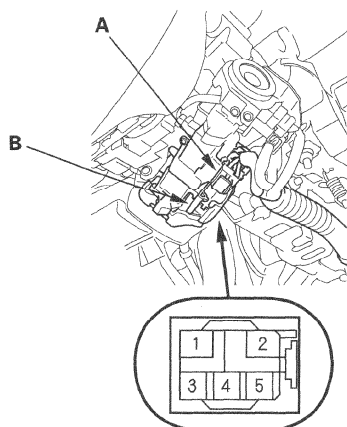




Ignition Switch Test

NOTE: SRS components are located in this area. Review the SRS component locations (see page 24-12), precautions and procedures (see page 24-14) before doing repairs or servicing.

1. Do the battery terminal disconnection procedure (see page 22-86).
2. Remove the steering column covers (see page 20-134).
3. Disconnect the 5P connector (A) from the ignition switch (B).



4. Check for continuity between the terminals in each switch position according to the table.

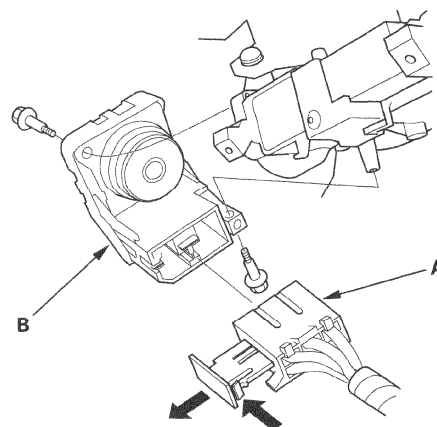
Terminal Position	4 (ACC)	2 (BAT)	5 (IG1)	3 (IG2)	1 (ST)
0 (LOCK)					
I (ACC)	○	○			
II (ON)	○	○	○	○	
III (START)		○	○	○	○

5. If the continuity is not as specified, replace the ignition switch (see page 22-97).
6. Do the battery terminal reconnection procedure (see page 22-86).

Ignition Switch Replacement

NOTE: SRS components are located in this area. Review the SRS component locations (see page 24-12), precautions and procedures (see page 24-14) before doing repairs or servicing.

1. Do the battery terminal disconnection procedure (see page 22-86).
2. Remove the steering column covers (see page 20-134).
3. Disconnect the 5P connector (A) from the ignition switch (B).



4. Remove the two screws and the ignition switch.
5. Install the parts in the reverse order of removal.
6. Do the battery terminal reconnection procedure (see page 22-86).