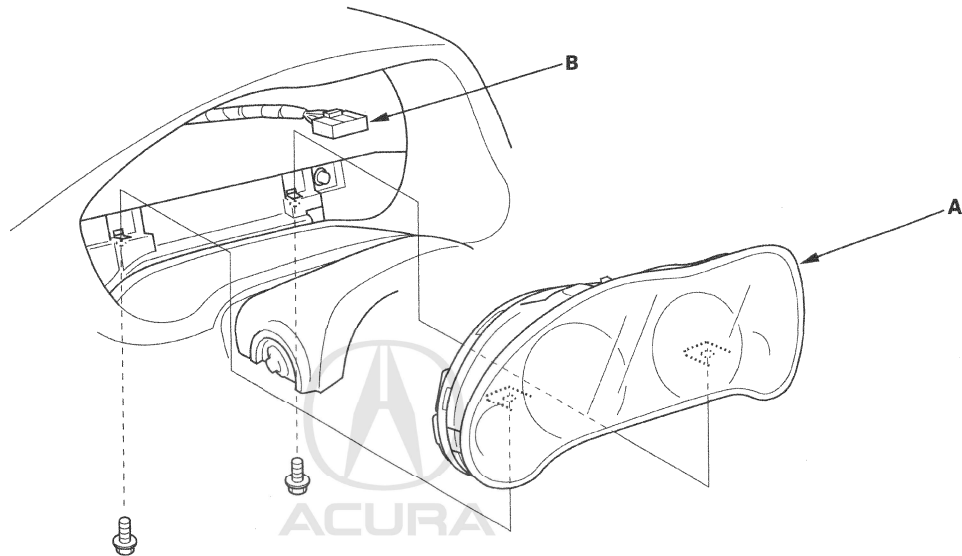


## Gauge Control Module Replacement

**NOTE:** Before replacing the gauge control module, retrieve the ODO value and the maintenance minder information from the gauge control module with the HDS (see page 22-330).

1. Remove the driver's dashboard undercover (see page 20-121), then remove the dashboard lower cover (see page 20-120).
2. Remove the two bolts from under the dashboard, then pull the gauge control module (A) out carefully.



3. Disconnect the 32P connector (B) from the gauge control module.
4. Install the gauge control module in the reverse order of removal.
5. Rewriting the ODO data and transfer the maintenance minder data to a new gauge control module (see page 22-330).