



Close

2010 TSX - Rear Door Panel Removal/Installation

Special Tools Required

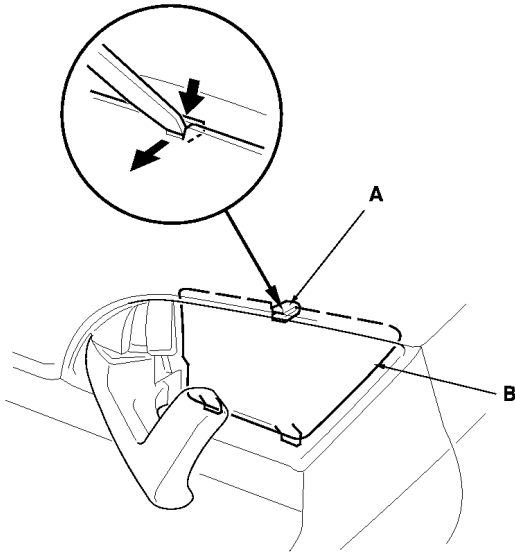
- KTC trim tool set SOJATP2014*
- Trim pad remover, Snap-on A 177A or equivalent, commercially available

*Available through the Acura Tool and Equipment Program; call 888-424-6857

[Click here for an interactive version of this procedure.](#)

NOTE:

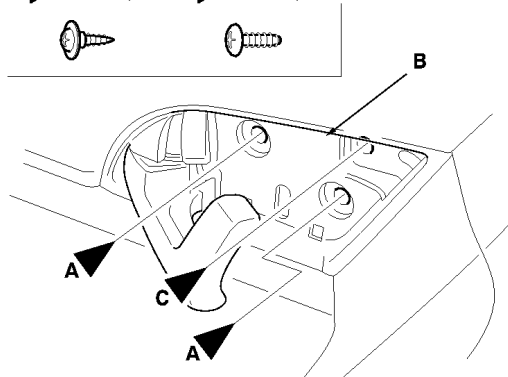
- Take care not to scratch the door or the related parts.
 - Use the appropriate tool from the KTC trim tool set to avoid damage when removing components.
1. Lower the glass fully.
 2. Push on the upper hook (A) with the appropriate trim tool, then pull back the inner handle cap (B) to remove it.



3. Remove the screws (A) securing the inner handle (B), and remove the screw (C) securing the door panel.

Fastener Locations

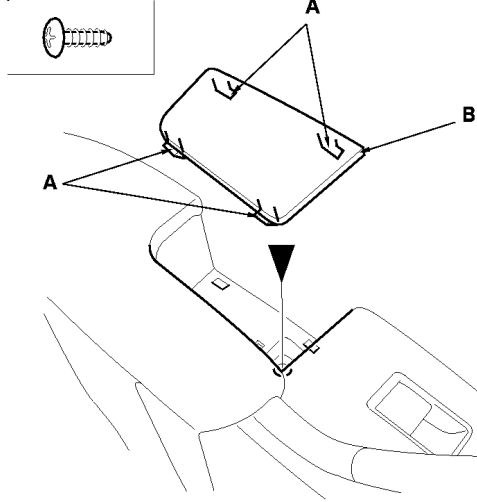
A ► : Screw, 2 C ► : Screw, 1



4. Release the hooks (A), and remove the pull pocket cap (B), then remove the screw.

Fastener Location

▶ : Screw, 1



5. Remove the power window switch panel (A) from the door panel (B).

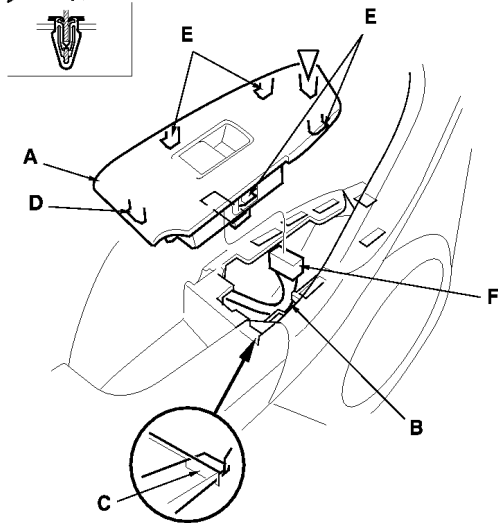
-1 Pry up at the notch (C), then release the hook (D).

Pull out along the edge of the panel to release all of the hooks (E).

-3 Detach the clip.

Fastener Location

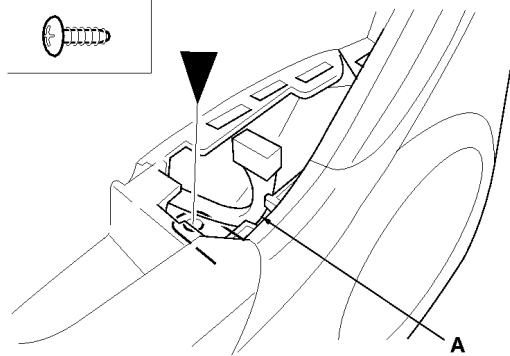
▷ : Clip, 1



6. Remove the screw securing the door panel (A).

Fastener Location

▶ : Screw, 1



7. Remove the door panel (A) with as little bending as possible to avoid creasing or breaking it.

-1 Start at the bottom edge of the door panel, release the clips that are just above the marks (B) on the edge of the panel with a commercially available trim pad remover.

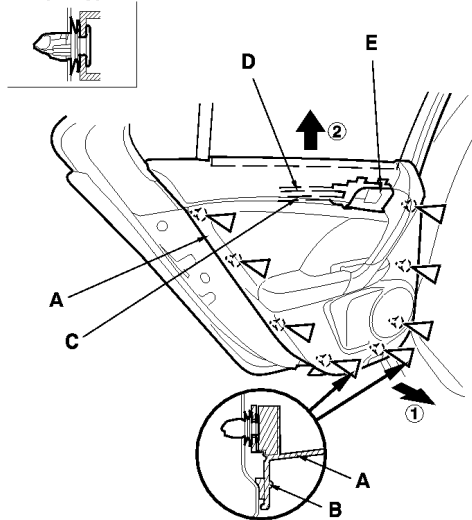
Detach the remaining clips.

NOTE: The inner handle cable (C) and the latch cable (D) are connected to the inner handle (E). Do not pull the door panel up too far, or these cables will be damaged.

-3 Starting at the rear, pull the door panel upward.

Fastener Locations

▷ : Clip, 8 (Gray)

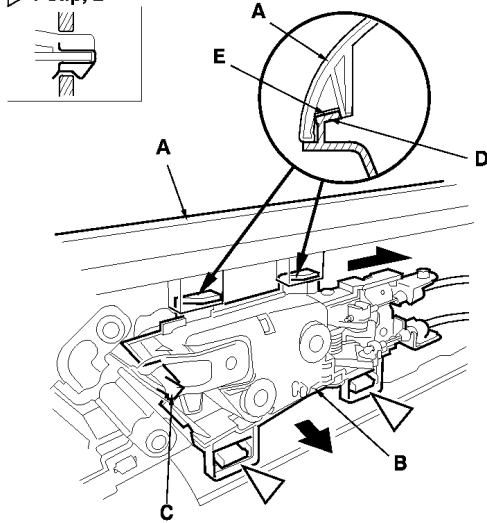


8. While holding the door panel (A) away from the door, remove the inner handle (B) from the door panel.

-1 Detach the clips and the hook (C) by pulling the handle out.

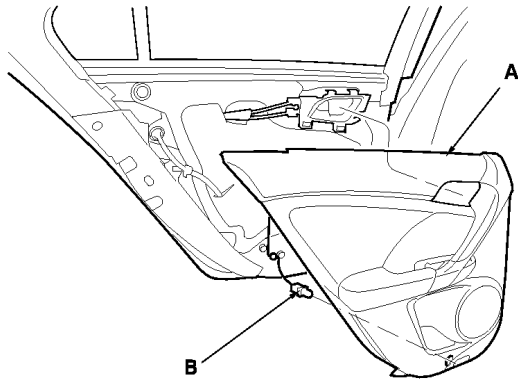
Fastener Locations

▷ : Clip, 2



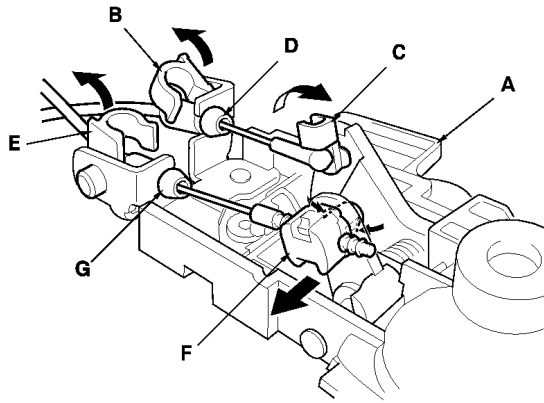
9. While holding the door panel (A) away from the door, disconnect the courtesy light bulb socket (B).

NOTE: If you are only removing the door panel, go to step 16. If you are doing further disassembly of the door panel, continue to step 10.

**Inner handle removal**

10. Remove the inner handle (A).

-1 Release the inner handle cable fasteners (B, C), then disconnect the inner handle cable (D) from the cable fasteners.



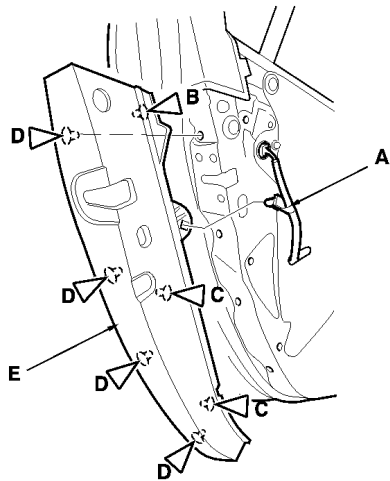
Door end trim removal

11. Detach the harness clip (A), and detach the clips (B, C, D), then remove the door end trim (E).

NOTE: If the clips or seals are damaged, replace them with new ones.

Fastener Locations

B ▷ : Clip, 1 (Black) C ▷ : Clip, 2 (Gray) D ▷ : Clip, 4 (Brown, with seal)

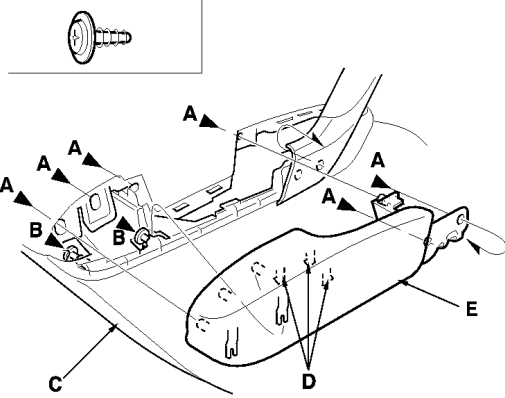


Armrest removal

12. Remove the screws (A), and loosen the screws (B) from back of the door panel (C). Release the hooks (D), then remove the armrest assembly (E).

Fastener Locations

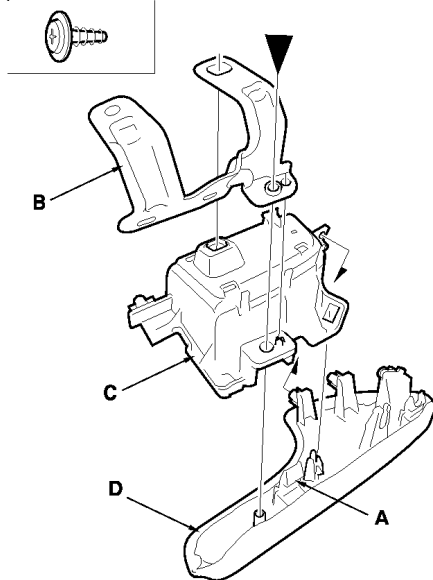
A, B ▶ : Screw, 8



13. Remove the screw, then remove the grip bracket B. Release the hook (A), then remove the door pull pocket (C) from the armrest (D).

Fastener Location

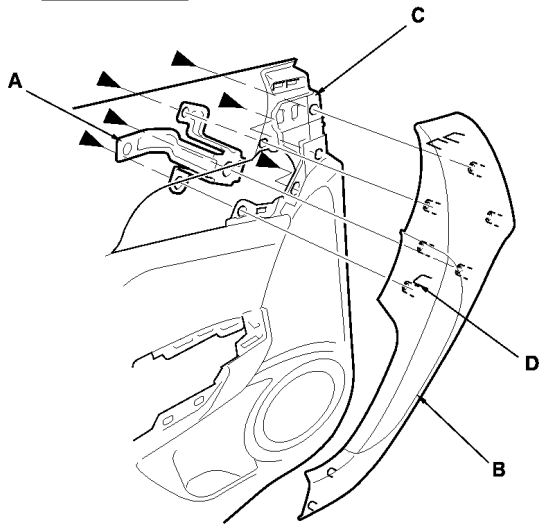
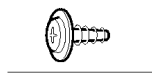
▶ : Screw, 1

**Grip cover removal**

14. Remove the grip cover (B) from the door panel (C).
Remove the screws from the back of the door panel, then remove the grip bracket A.
-2 Remove the screws securing the grip cover from the back of the door panel.

Fastener Locations

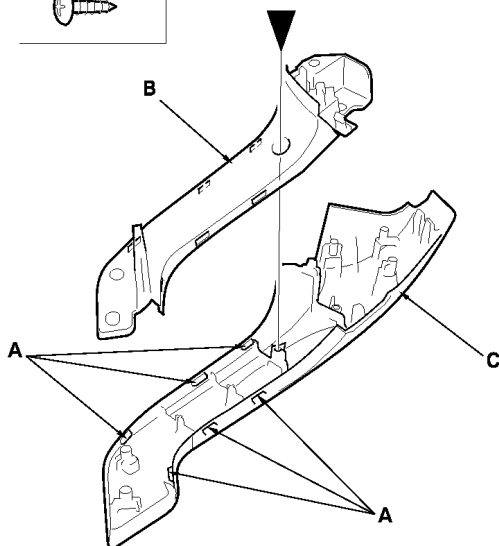
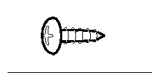
▶ : Screw, 6



15. Remove the screw, and release the tabs (A), then remove the grip base (B) from the grip cover (C).

Fastener Location

▶ : Screw, 1



16. Install the door panel in the reverse order of removal, and note these items:
- If the clips are damaged or stress-whitened, replace them with new ones.
 - Replace any damaged cable fasteners with new ones.
 - The latch cable (A) should be fixed to the cable fastener (B) with the latch in the unlocked position as shown.
 - Make sure the connector is plugged in properly, and the cables are connected securely.
 - Push the clips and the hooks into place securely.
 - Make sure the power window and power door lock operate properly.
 - When reinstalling the door panel, make sure the plastic cover on the door is installed properly.

