

**INDEX**

**Parts List**

○ ND Dual Speaker ..... 1

○ ND Coaxial Speaker ..... 1

**Tools and Supplies Required** ..... 1

**Before You Begin**

○ Customer Information ..... 2

○ Wire Harness Routing Precaution ..... 2

**Installation**

○ Installing the Front Speaker ..... 3

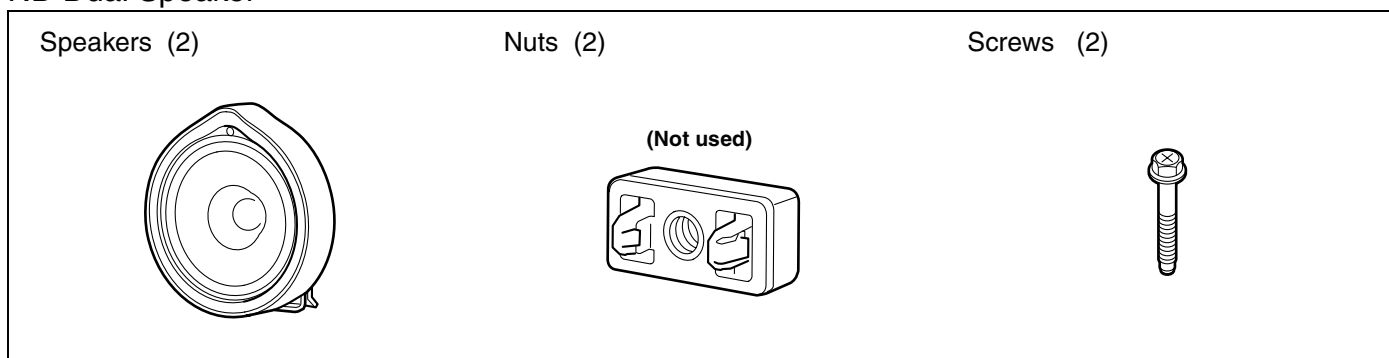
○ Installing the Rear Speaker for 4-Door..... 7

○ Installing the Rear Speaker for 5-Door..... 8

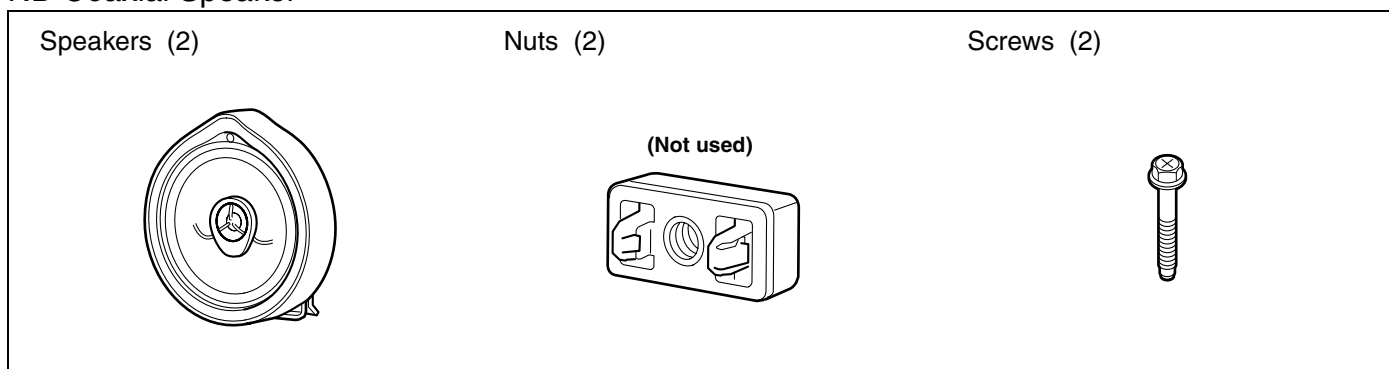
**Check After Installation**..... 12

**Parts List**

**ND Dual Speaker**



**ND Coaxial Speaker**



**Tools and Supplies Required**

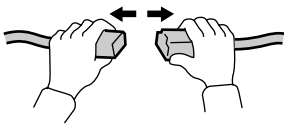
- Phillips screwdriver
- Flat-tip screwdriver
- Clip remover
- Duct tape
- Shop towel

# Before You Begin

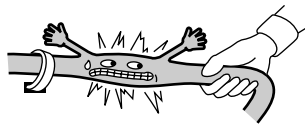
## Customer Information

- Write down the customer's radio station presets; the radio memory will be erased when you disconnect the battery.
- Make sure you have the anti-theft code for the radio, then write down the frequencies for the preset buttons.
- Before removing parts from the vehicle, note their locations so that they can be reinstalled in their original places properly.
- Be sure to use the bolts, screws and nuts included in this kit. Use of bolts, nuts and screws other than those included in this kit may damage the parts.
- Fully open the front door window before removing the door lining.
- These instructions are for the driver's side of the LH model. The same procedure applies to the passenger' side of the LH model.
- The same procedure also applies to the driver's side and passenger's side of the RH model.
- Do not secure any harness to the SRS harness.

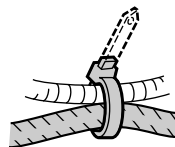
## Wire Harness Routing Precaution



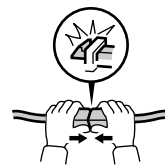
**Disconnect the connectors and terminals by holding them. Do not pull the harness to disconnect the connector.**



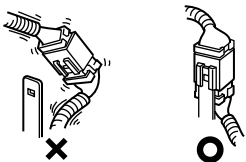
**Do not pull the harness with force. It will damage the harness.**



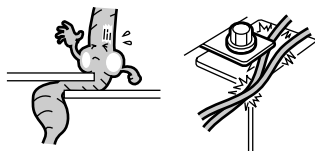
**Cut off the excess of the wire ties.**



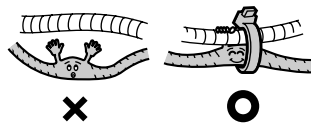
**Connect the connectors and terminals securely until they lock.**



**Reinstall the connectors to the corresponding stays whenever they are removed. After operation, check that the connectors are installed on the stays securely and not loose or come out of the stays.**



**Take care not to pinch the harness with the vehicle parts during assembly.**

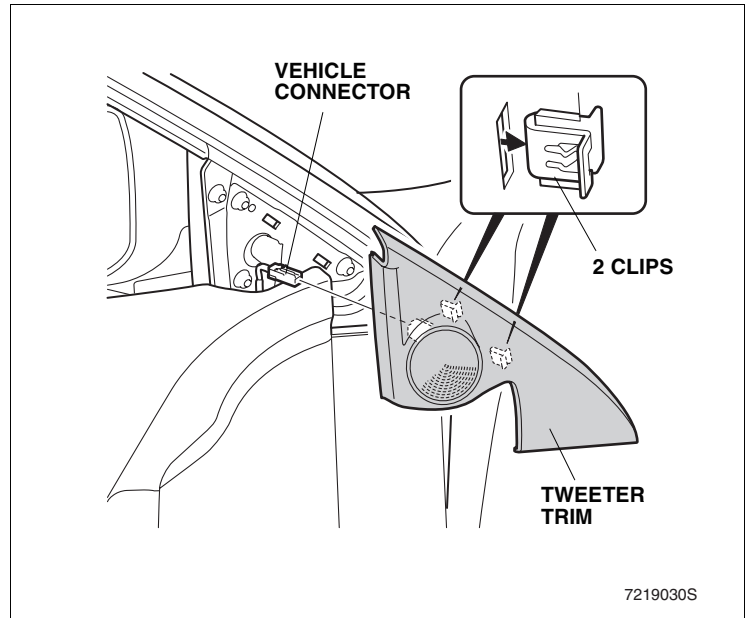


**Secure the harness to the vehicle harness securely not to let them hang down. Reinstall the clamps of the vehicle if they are removed.**

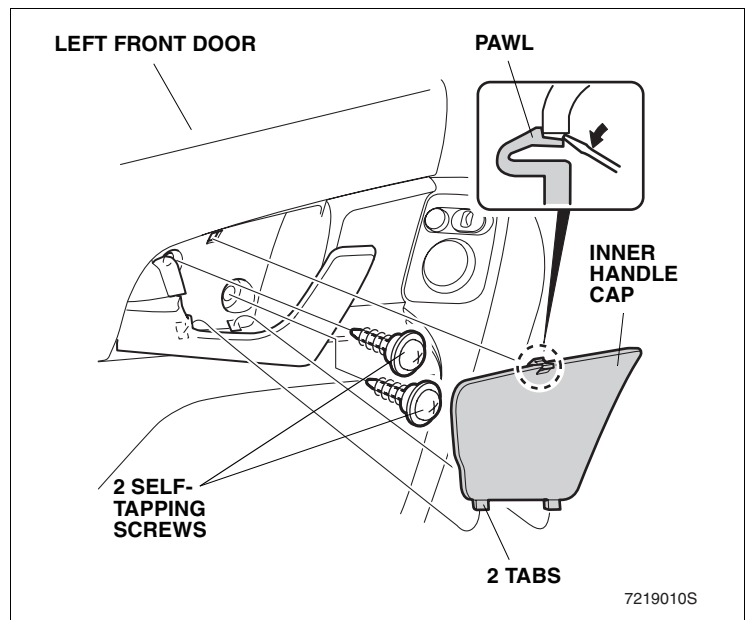
# Installation

## Installing the Front Speaker

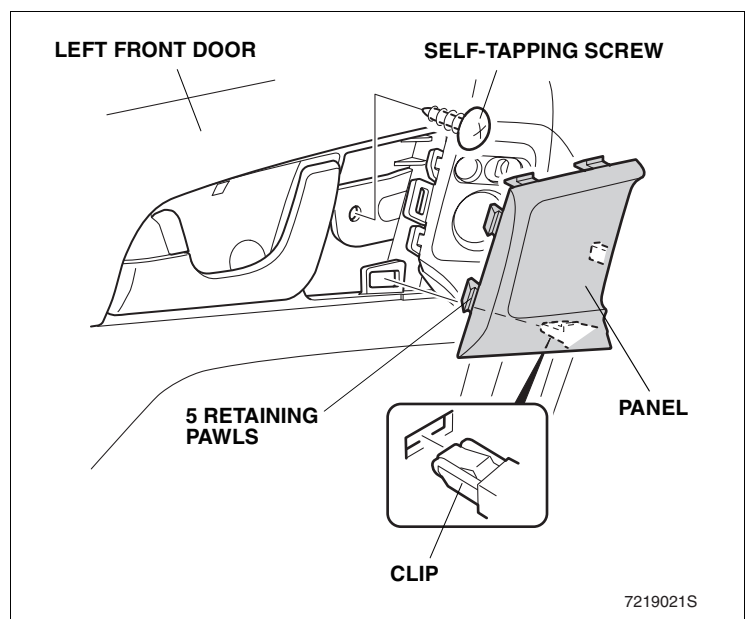
1. Pull the tweeter trim to release the two clips.
2. Unplug the vehicle connector to remove the tweeter trim.



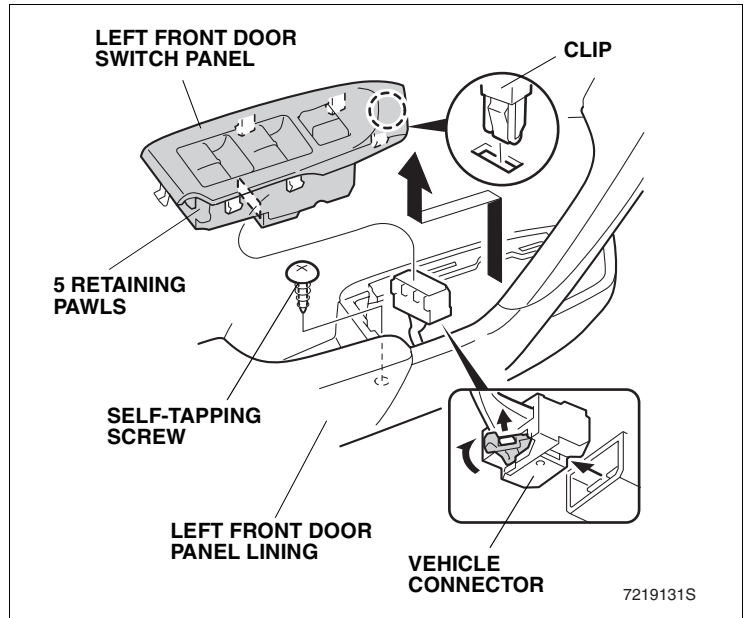
3. Remove the inner handle cap (one pawl and two tabs).
4. Remove the two self-tapping screws.



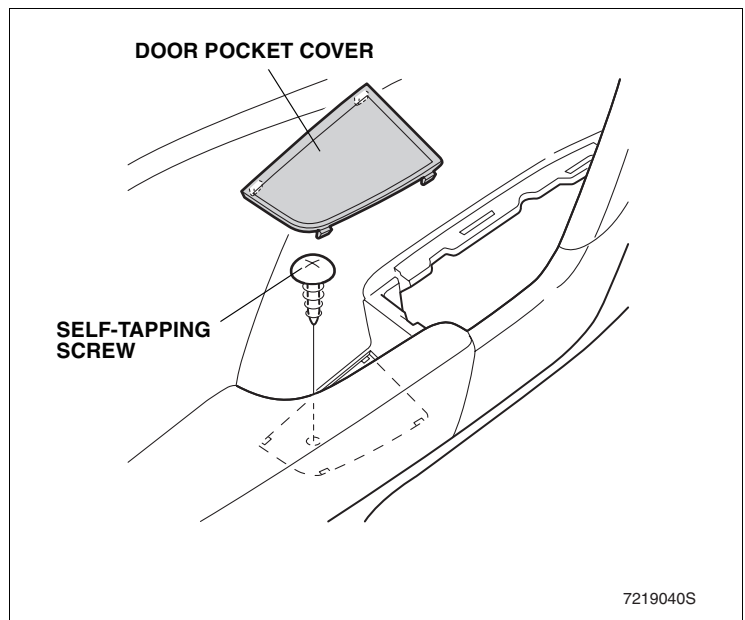
5. Remove the panel (one clip and five retaining pawls).
6. Remove the one self-tapping screw.



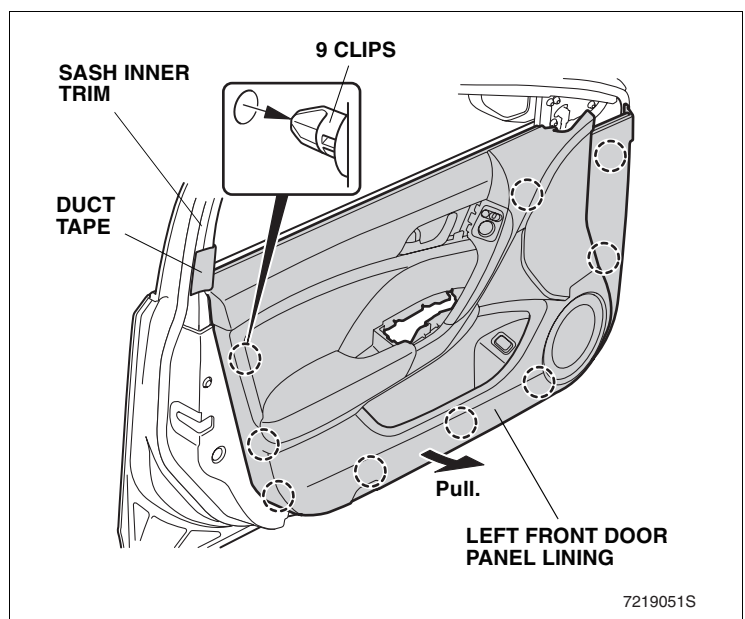
7. Pull up the left front door switch panel to release the five retaining pawls and one clip.
8. Unplug the vehicle connector to remove the left front door switch panel.
9. Remove the one self-tapping screw.



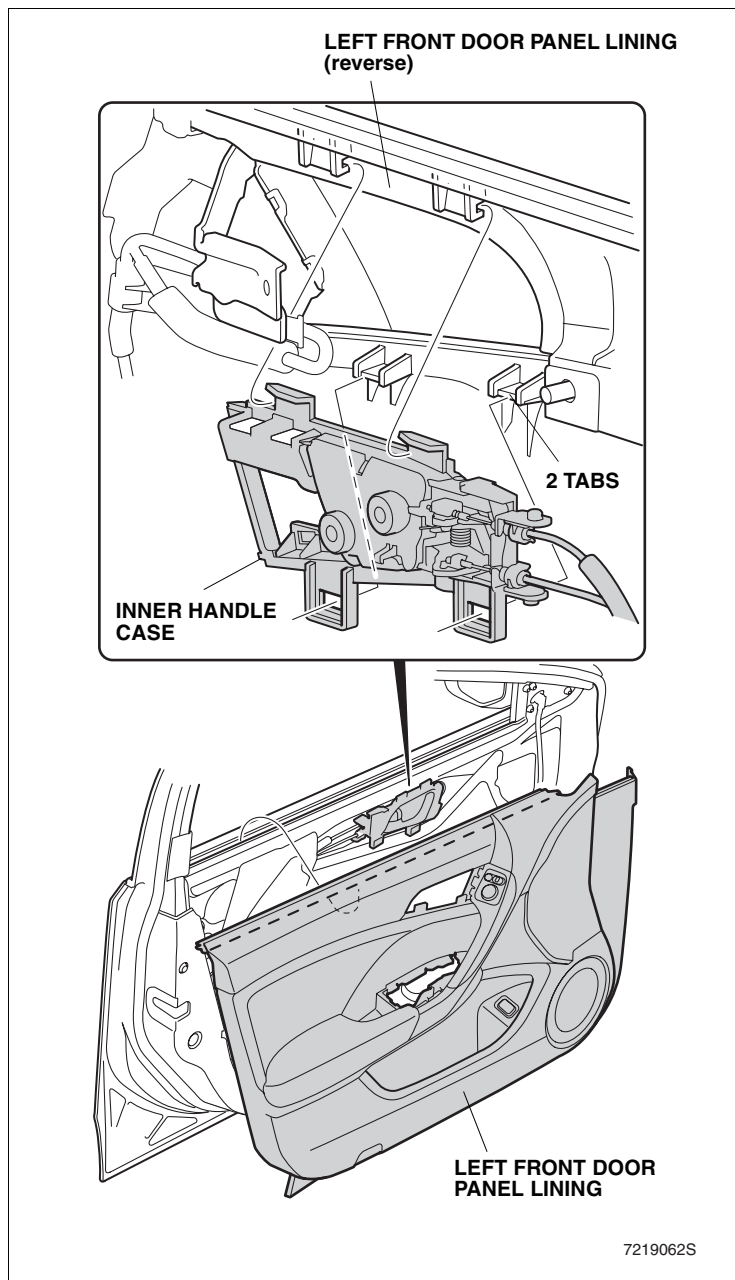
10. Remove the door pocket cover.
11. Remove the one self-tapping screw.



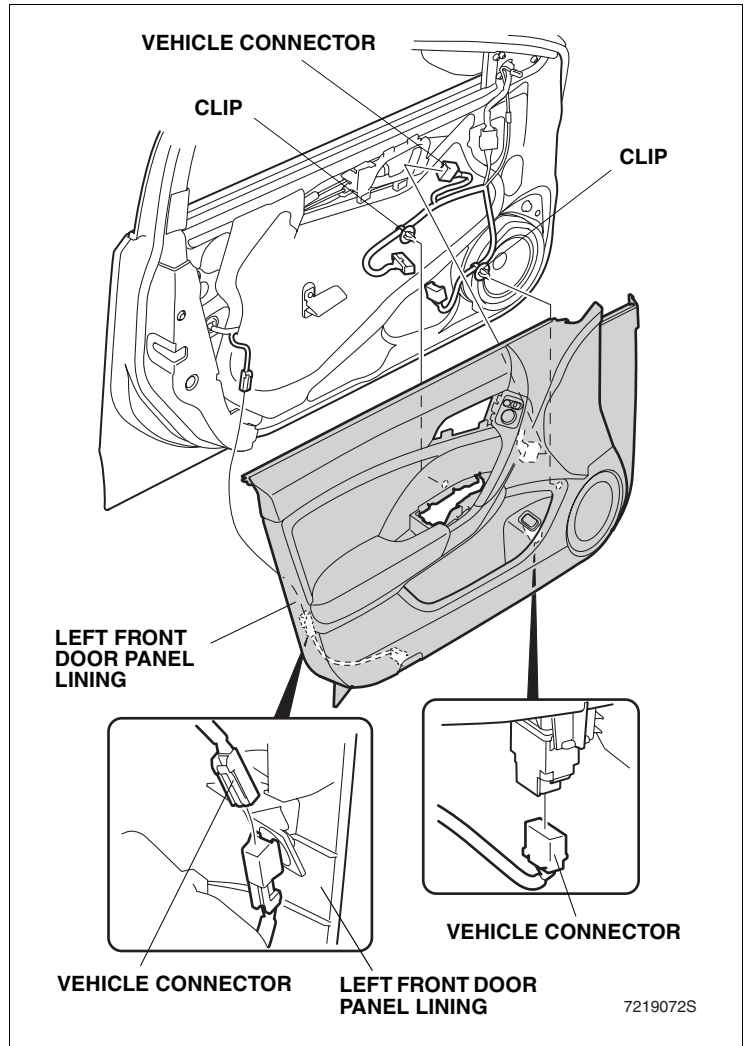
12. Attach piece of duct tape to the sash inner trim shown.
13. Pull the lower part of the left front door panel lining toward you to release the nine clips.



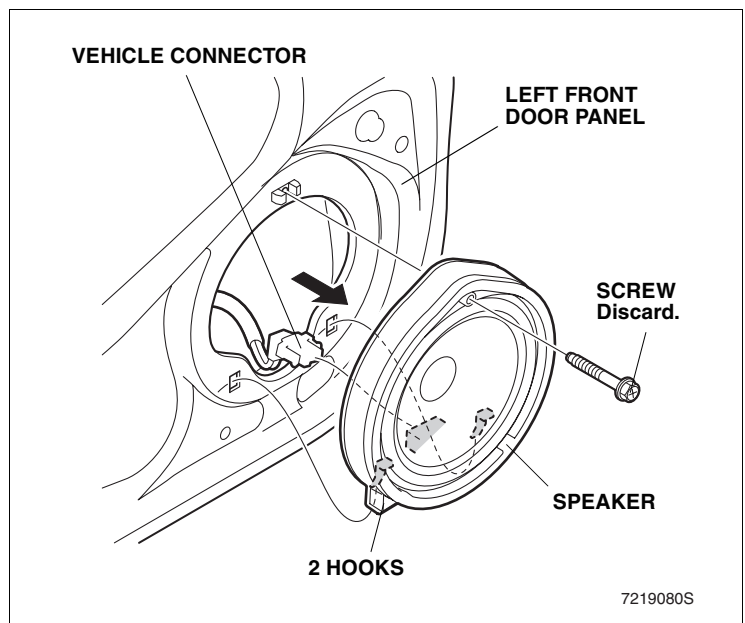
14. Lift the left front door panel lining upward to release the two tabs from the inner handle case.



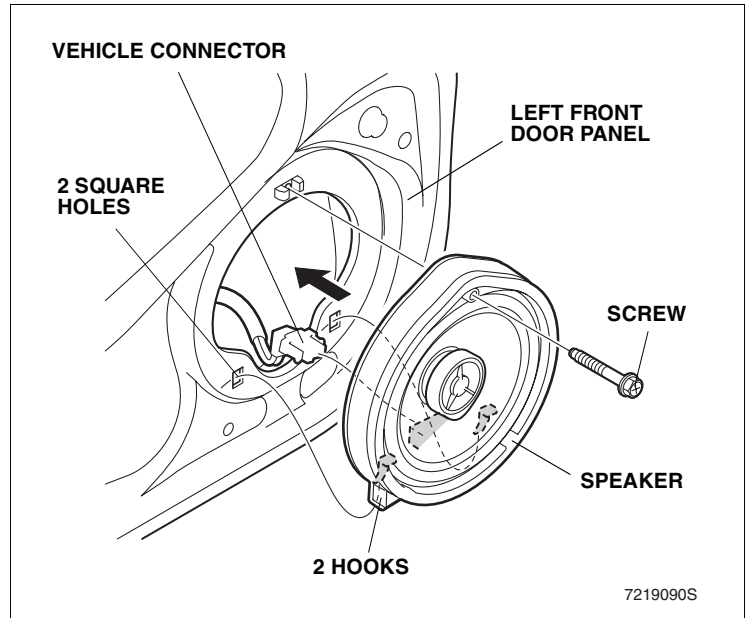
15. Release the two clips.
16. Unplug the three vehicle connectors to remove the left front door panel lining.



17. Remove the one screw securing the speaker.
18. Pull up the speaker, then unplug the vehicle connector to remove the speaker.

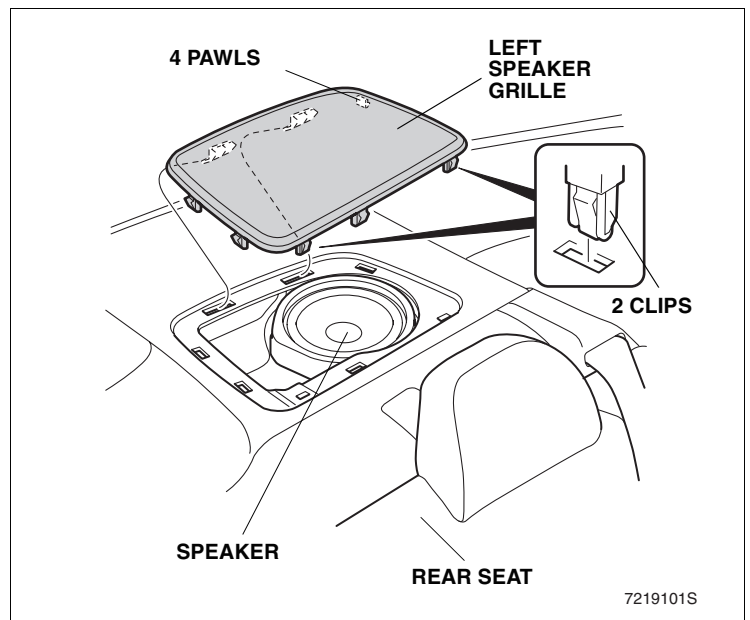


19. Plug the vehicle connector to the speaker.
20. Using one screw, install the speaker as shown.
21. Repeat steps 1 thru 20 to install the front speaker on the other side.

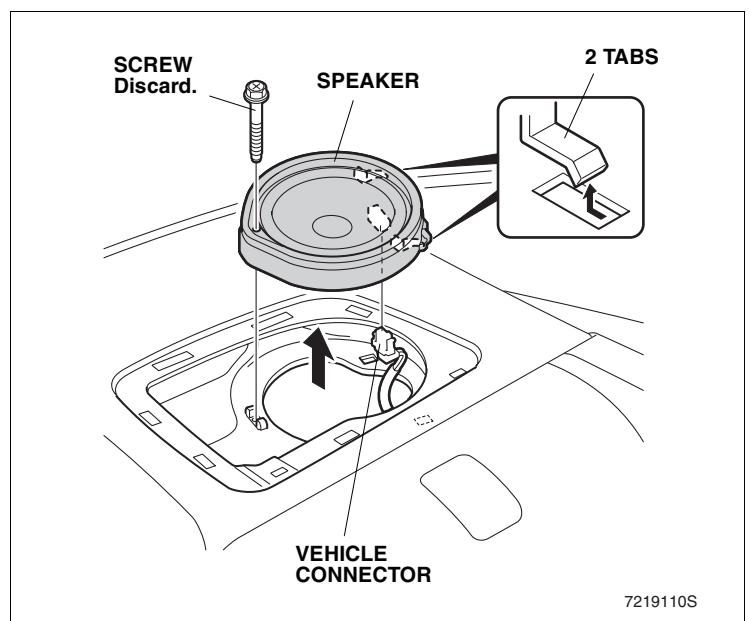


### Installing the Rear Speaker for 4-Door

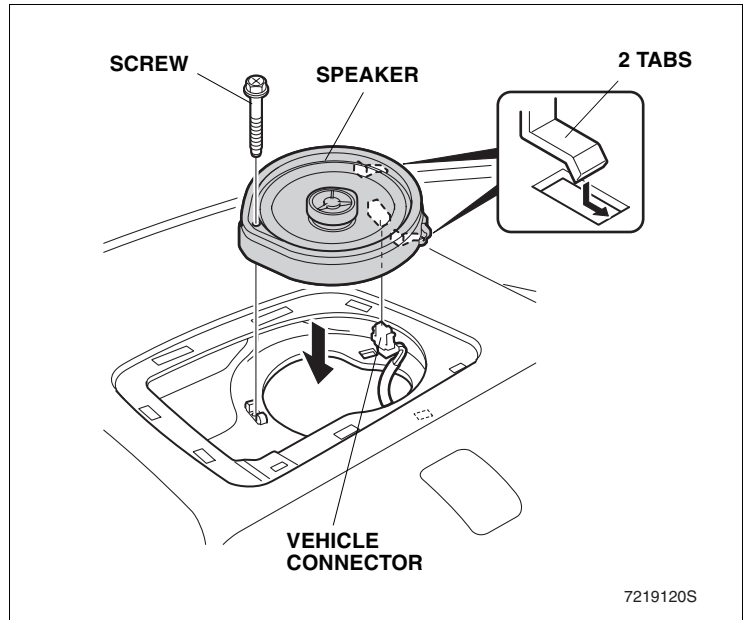
22. Using a flat-tip screwdriver wrapped with a shop towel, remove the left speaker grille (two clips and four pawls).



23. Remove the one screw securing the speaker.
24. Pull up the speaker, then unplug the vehicle connector to remove the speaker.

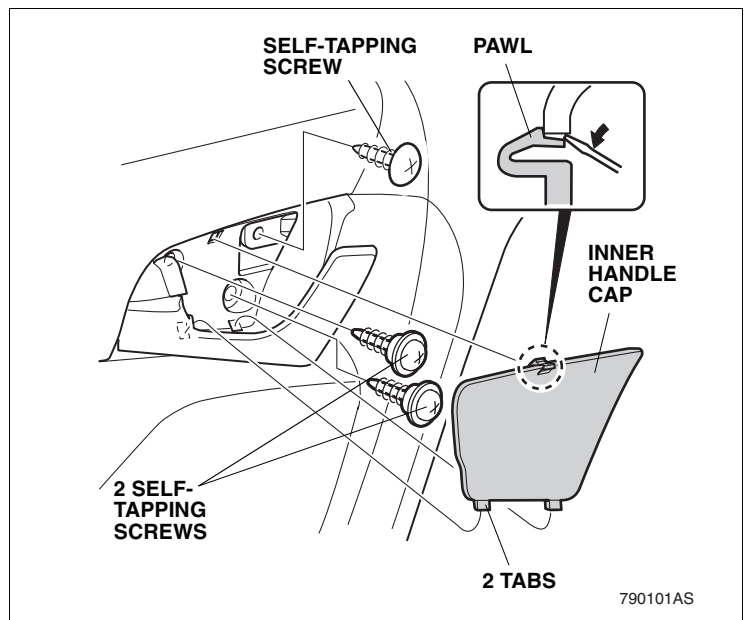


25. Plug the vehicle connector to the speaker.
26. Using one screw, install the speaker as shown.
27. Repeat steps 22 thru 26 to install the rear speaker on the other side.

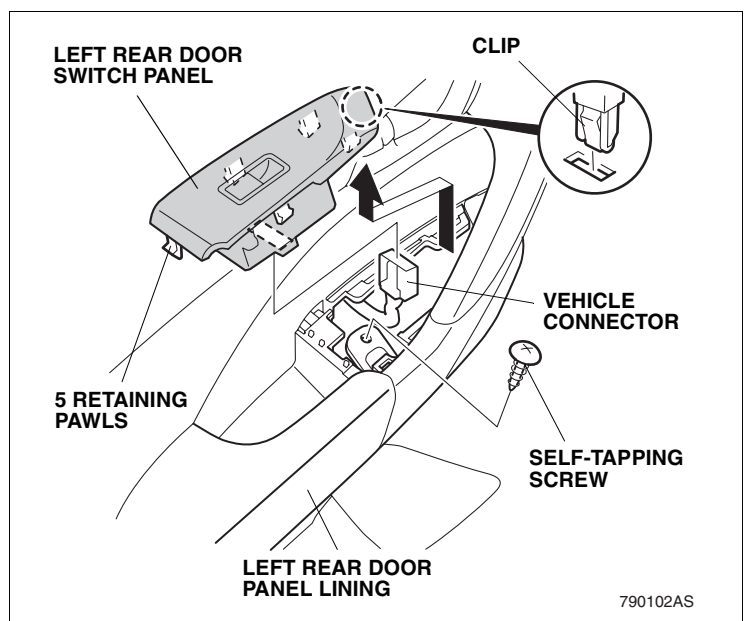


### Installing the Rear Speaker for 5-Door

28. Remove the inner handle cap (one pawl and two tabs).
29. Remove the three self-tapping screws.

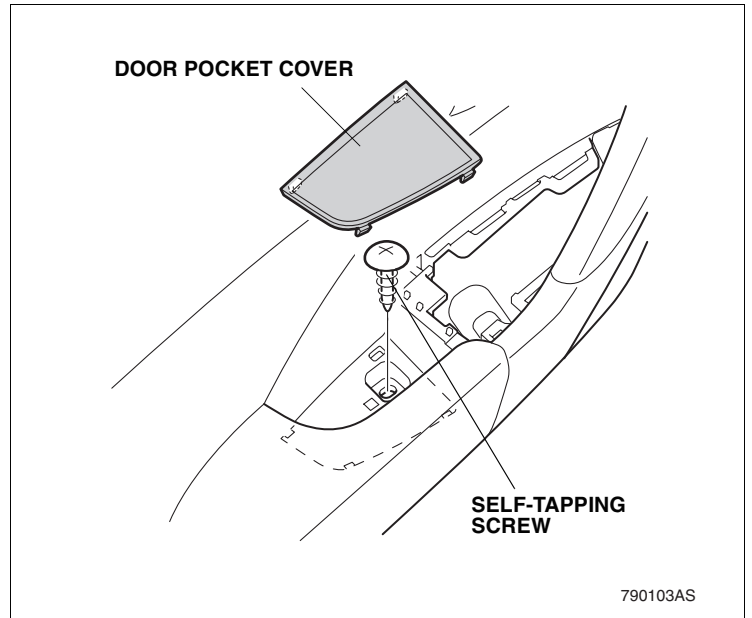


30. Pull up the left rear door switch panel to release the five retaining pawls and one clip, then unplug the vehicle connector from the left rear door switch panel.
31. Remove the one self-tapping screw.

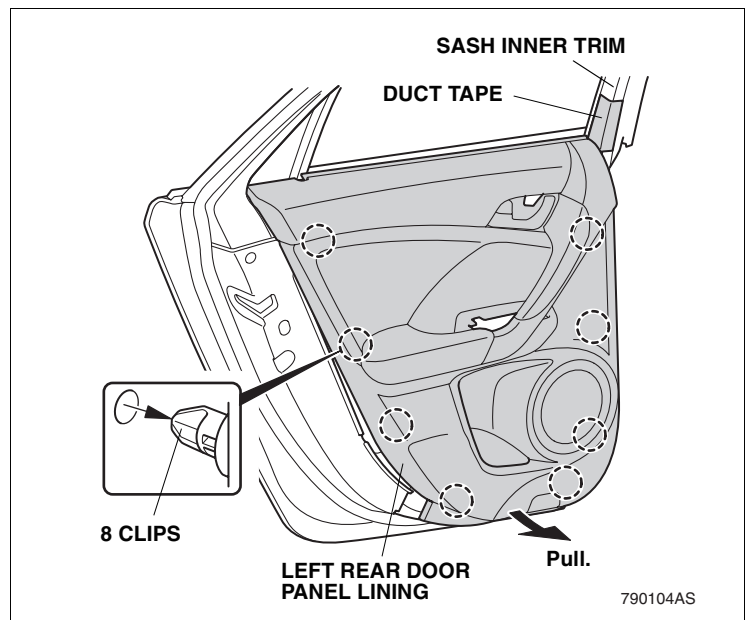




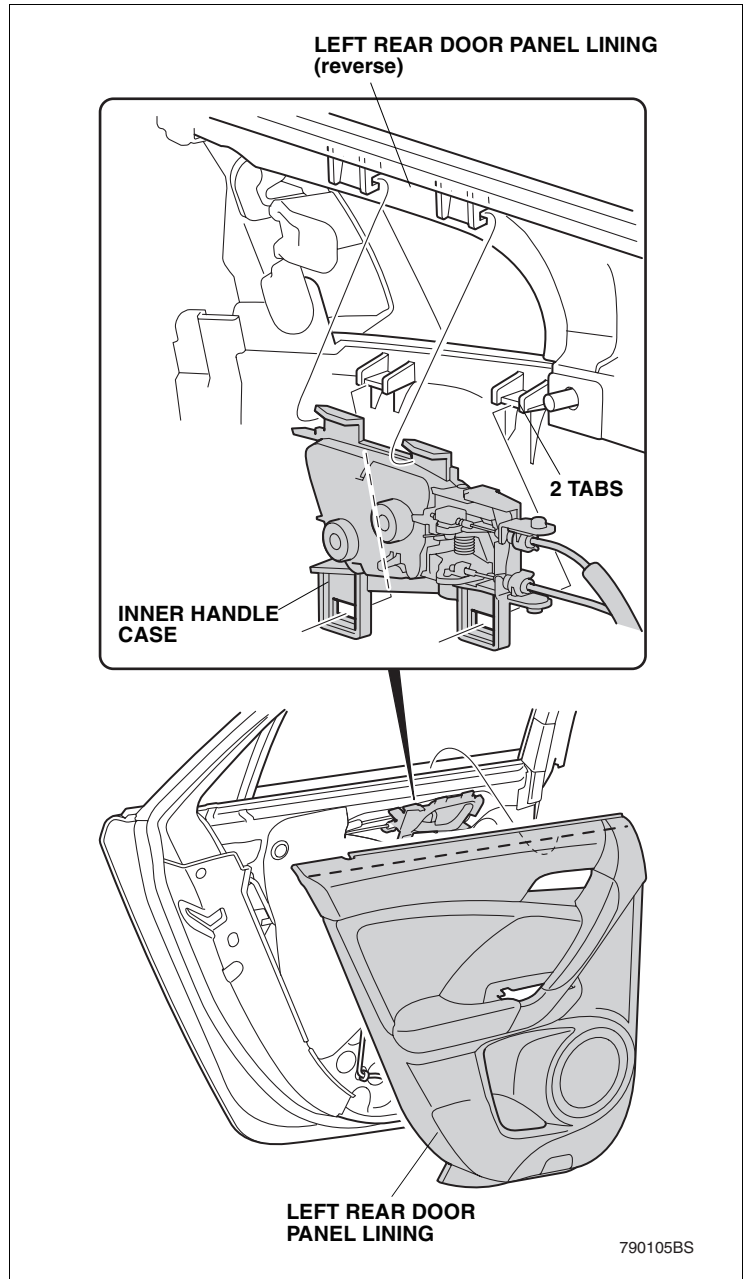
- 32. Remove the door pocket cover.
- 33. Remove the one self-tapping screw.



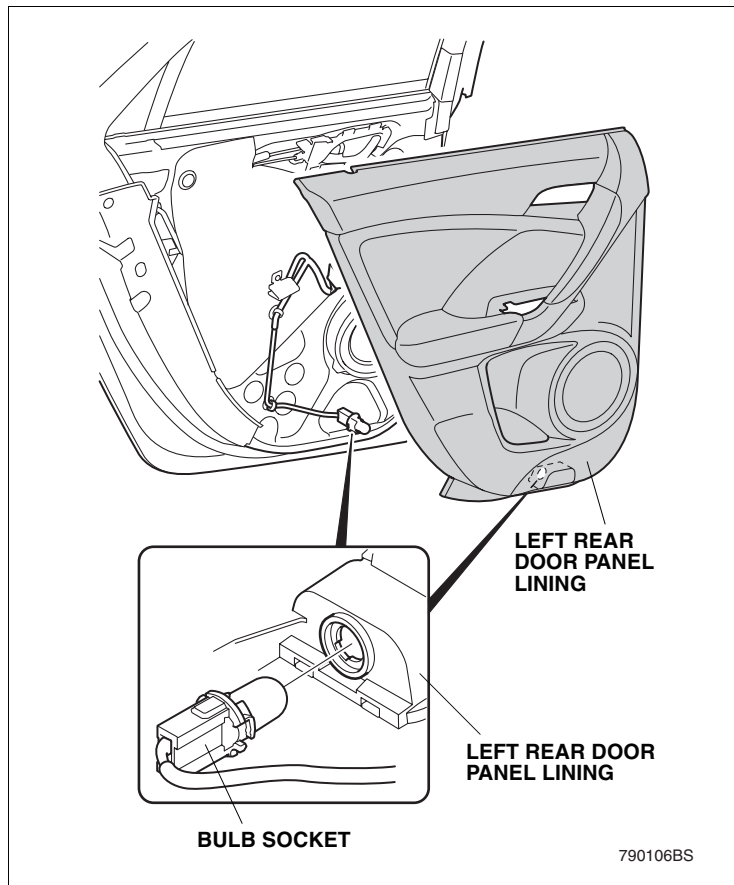
- 34. Attach piece of duct tape to the sash inner trim shown.
- 35. Pull the lower part of the left rear door panel lining toward you to release the eight clips.



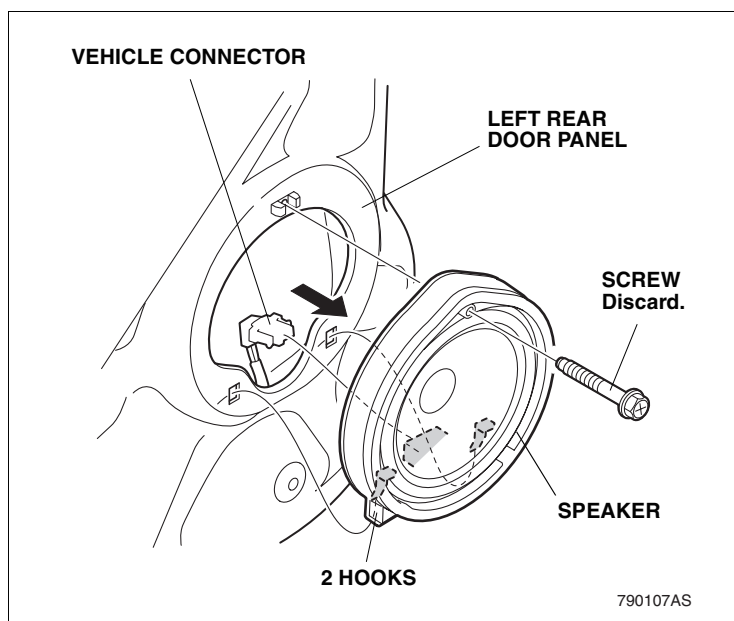
36. Lift the left rear door panel lining upward to release the two tabs from the inner handle case.



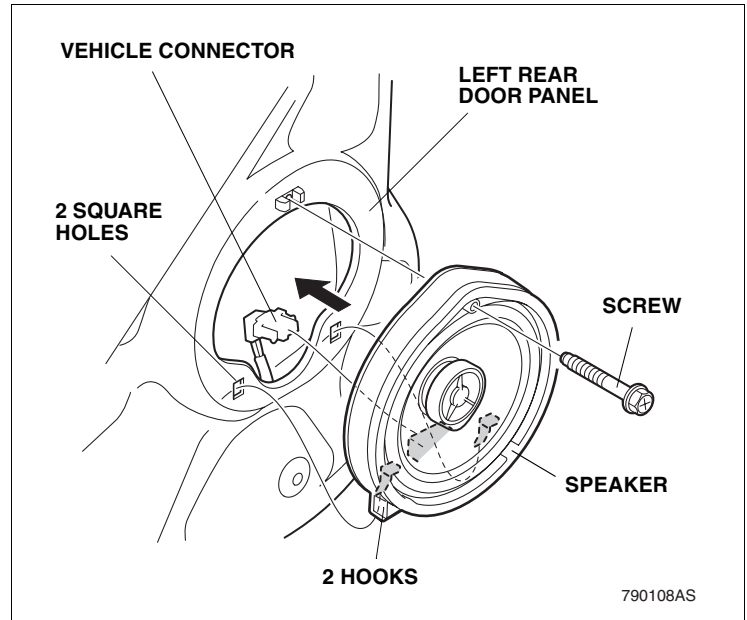
37. Turn the bulb socket to remove the left rear door panel lining.



38. Remove the one screw securing the speaker.
39. Pull up the speaker, then unplug the vehicle connector to remove the speaker.



40. Plug the vehicle connector to the speaker.
41. Using the screw, install the speaker as shown.
42. Repeat steps 28 thru 41 to install the rear speaker on the other side.



## Check After Installation

- Check that all wire harnesses are routed properly and all connectors are plugged in.
- Connect the negative cable to the battery and check operation of all lights and other electrical accessories.
- Reset the clock and customer's radio station presets.
- Reinstall all removed parts.
- Do the Accelerator Pedal Kickdown Click System Learn Procedure described in the Shop Manual.