



Applies To: **2009–11 TSX – ALL**

**April 14, 2012**

**2012 TSX L4 Sedan** – From VIN JH4CU2...CC000001 thru JH4CU2...CC022902

**2012 TSX L4 Sport Wagon** – From VIN JH4CW2...CC000001 thru JH4CW2...CC002760

**2012 TSX V6 Sedan** – From VIN JH4CU4...CC000001 thru JH4CU4...CC000232

## Console Armrest Is Loose

### SYMPTOM

The console armrest is loose and is not firmly attached to the slide mechanism.

### PROBABLE CAUSE

The screws that hold the armrest to the slide mechanism loosened over time.

### CORRECTIVE ACTION

Replace the armrest.

### PARTS INFORMATION

Armrest:

P/N 83450-TL0-G34ZA (NH556L - Gray)

P/N 83450-TL0-G34ZB (NH690L - Black)

P/N 83450-TL0-G34ZC (YR372L - Ivory)

### WARRANTY CLAIM INFORMATION

The normal warranty applies.

Operation Number: 042100

Flat Rate Time: 0.2 hour

Failed Part: 83450-TL0-G33ZA

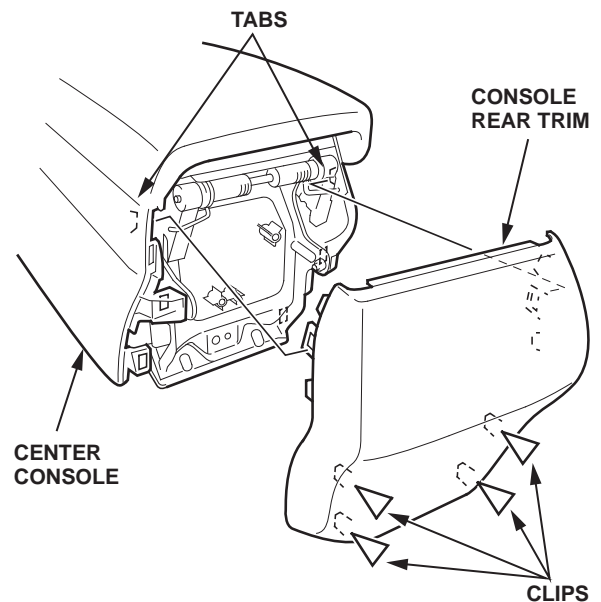
Defect Code: 00504

Symptom Code: 06201

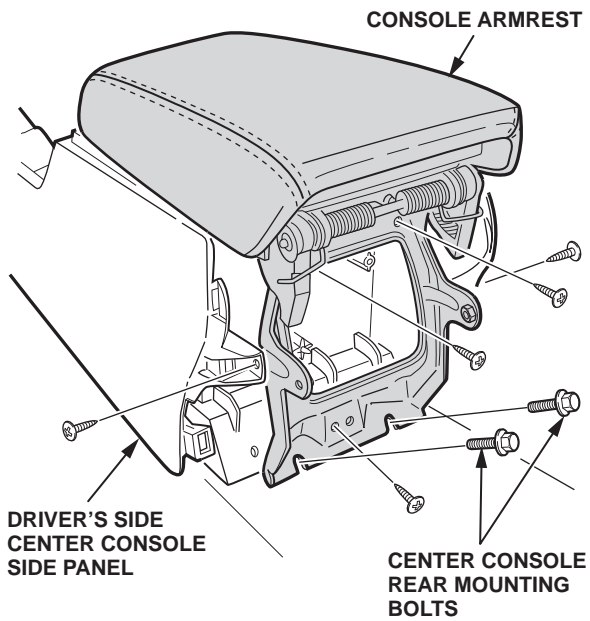
Skill Level: Repair Technician

### REPAIR PROCEDURE

1. Move both seats all the way forward.
2. Gently pull out the center console rear trim to detach the clips and release both upper tabs on the console, then remove the trim.



3. Remove the two center console rear mounting bolts.



4. Remove the two screws securing the driver's and passenger's side panels to the console.
5. Remove the three rear mounting screws securing the console armrest, then remove the armrest to the rear of the console.
6. Install the new console armrest using the three rear mounting screws.
7. Reinstall the two screws that secure the driver and passenger's side panels to the console.
8. Reinstall the two center console rear mounting bolts.
9. Carefully line up the center console rear trim, and reattach it to the center console.