

# Fuel and Emissions Systems

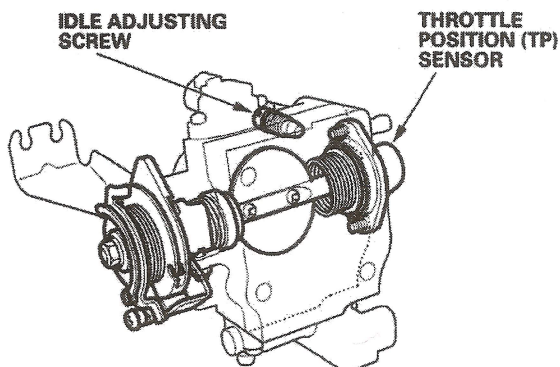
## System Descriptions (cont'd)

### Intake Air System

Refer to the System Diagram to see the functional layout of the system.

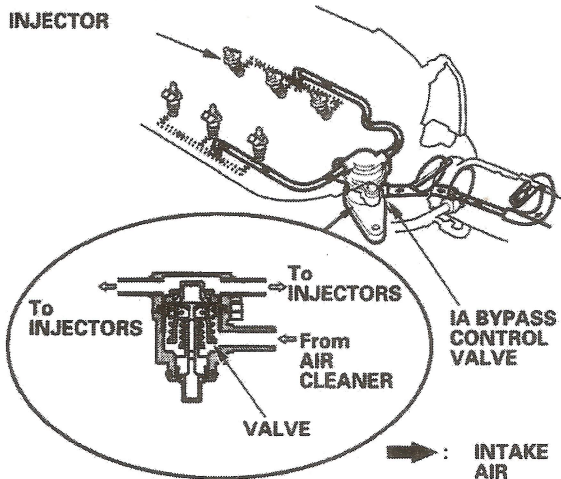
#### Throttle Body

The throttle body is a single-barrel side draft type. The lower portion of the throttle side is heated by engine coolant from the cylinder head. The idle adjusting screw, which increases/decreases bypass air is located on top of the throttle body.



#### Intake Air (IA) Bypass Control System

When the engine is running, the Intake Air (IA) Bypass control valve sends air to the injectors.



### Intake Manifold Runner Control System

Satisfactory power performance is achieved by closing and opening the Intake Manifold Runner Control valve. High torque at low engine speed is achieved when the valves are closed, whereas high power at high engine speed is achieved when the valves are opened.

